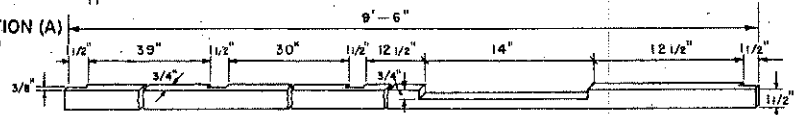
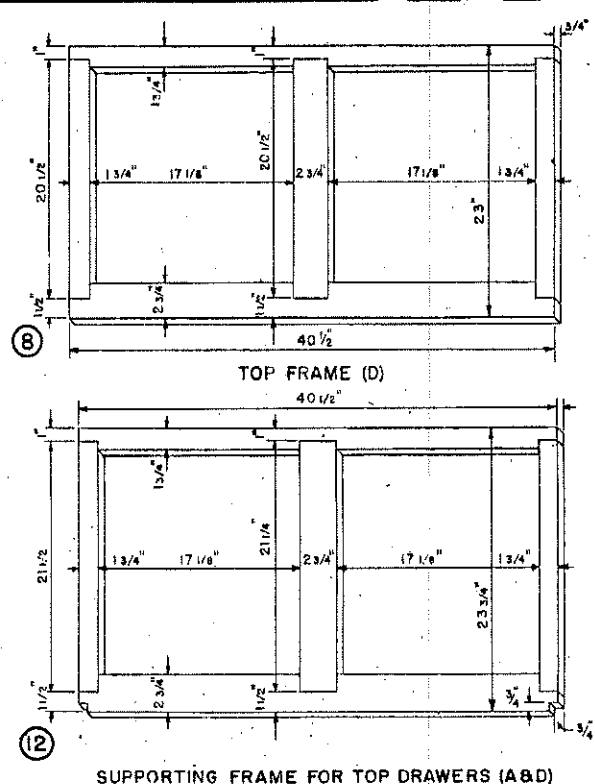
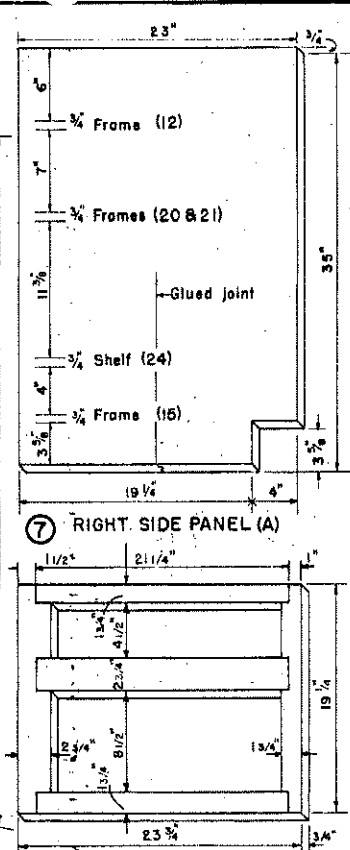
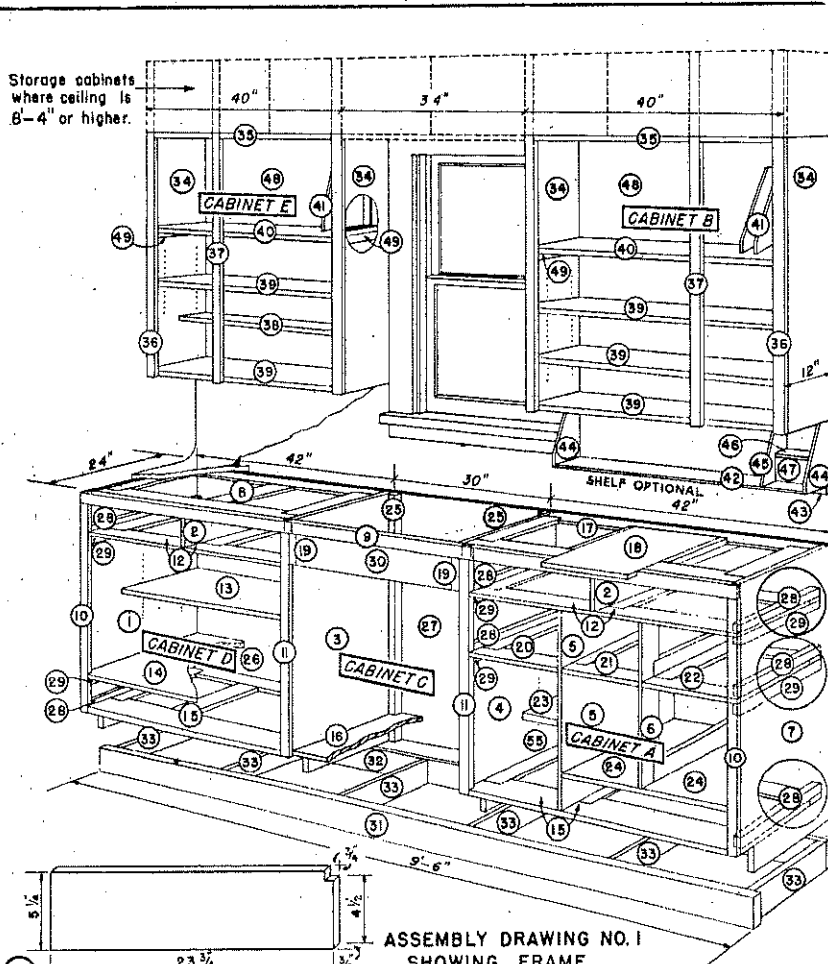
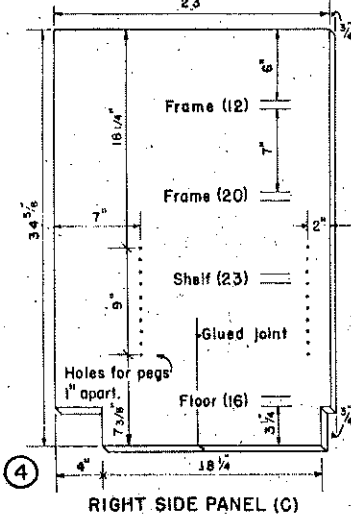
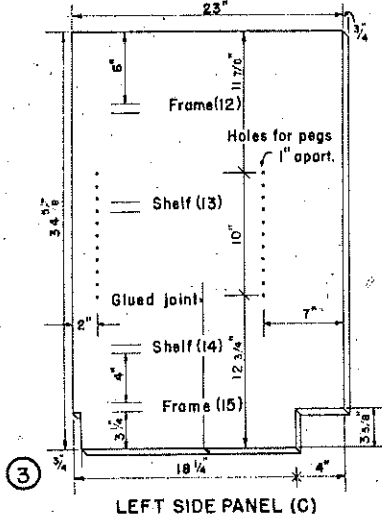
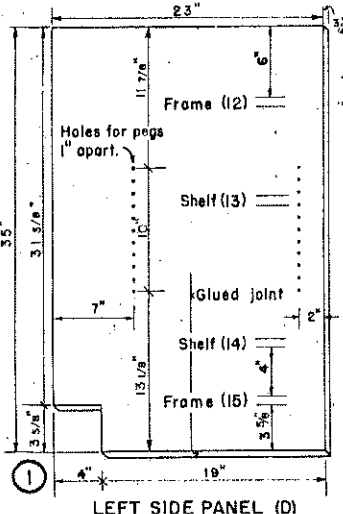


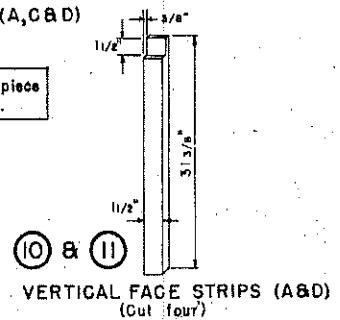
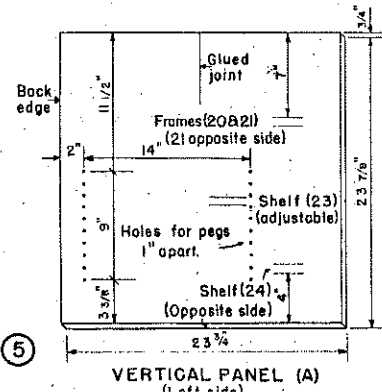
Storage cabinets where ceiling is 8'-4" or higher.



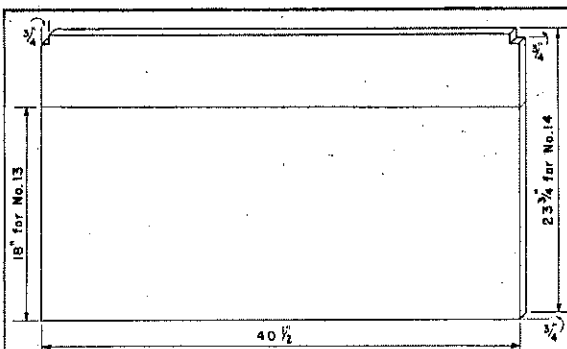
2 DRAWER SEPARATOR (D) Cut two
ASSEMBLY DRAWING NO. 1
SHOWING FRAME
(For location of doors and drawers
see ASSEMBLY DRAWING NO. 2)



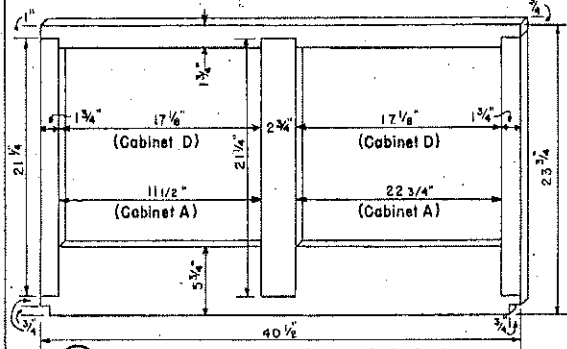
NOTE: Letter following the name of the piece refers to the cabinet in which it is located.



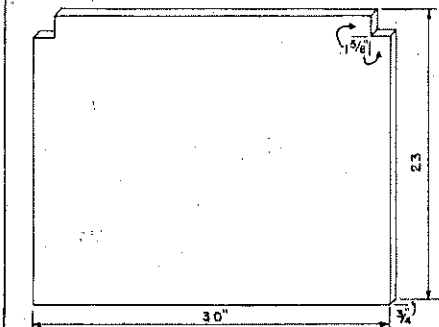
COOPERATIVE EXTENSION WORK IN
AGRICULTURE AND HOME ECONOMICS
STATE OF INDIANA
PURDUE UNIVERSITY
AND
UNITED STATES DEPARTMENT OF AGRICULTURE COOPERATING
FOOD PREPARATION AND
CLEARING CABINETS
USDA 47 EX. 7035 SHEET 1 OF 6
DESIGNED BY BUREAU OF HUMAN NUTRITION



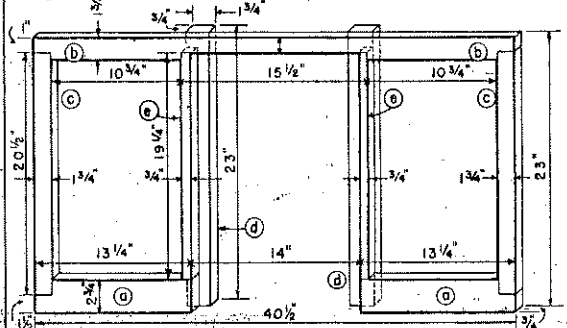
13 & 14 SHELVES (D)
(Plywood)



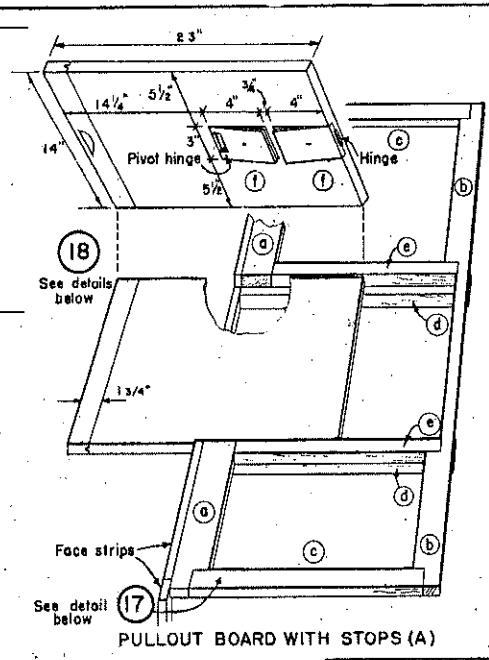
15 BOTTOM DRAWER SUPPORT (A & D)
(Make two)



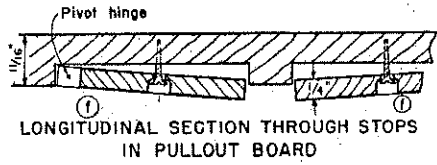
16 FLOOR OF SINK CABINET (C)
(Plywood)



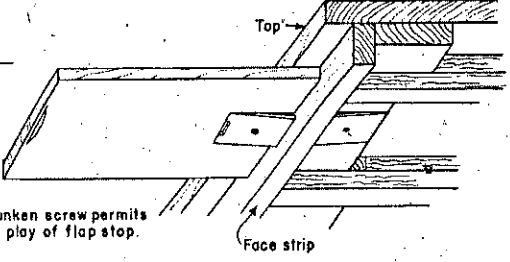
17 TOP FRAME (A)



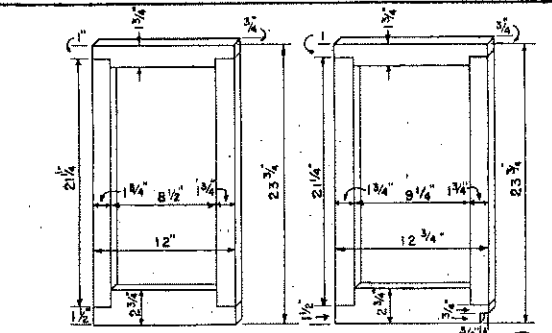
18 VIEW OF UNDERSIDE OF PULLOUT BOARD



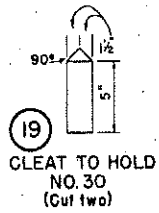
19 LONGITUDINAL SECTION THROUGH STOPS
IN PULLOUT BOARD



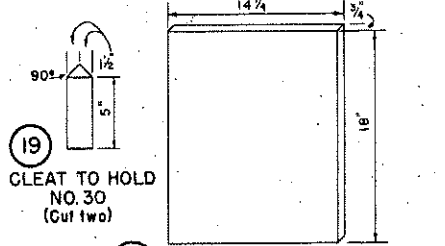
20 SUPPORTING FRAMES
FOR DRAWERS (A)



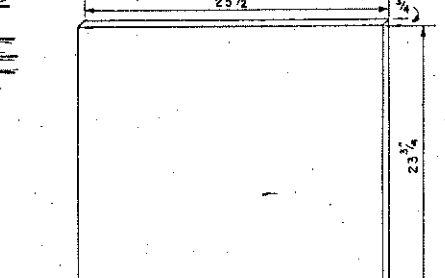
21 SUPPORTING FRAMES FOR DRAWERS (A)



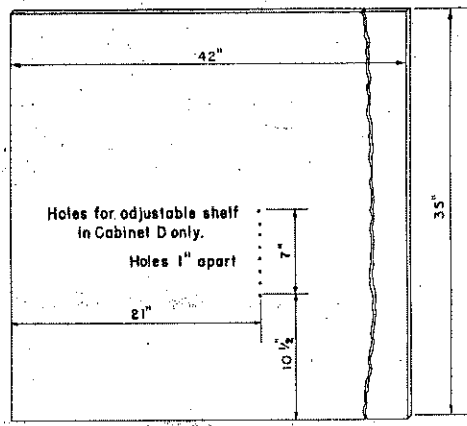
22 CLEAT TO HOLD
NO. 30
(Cut two)



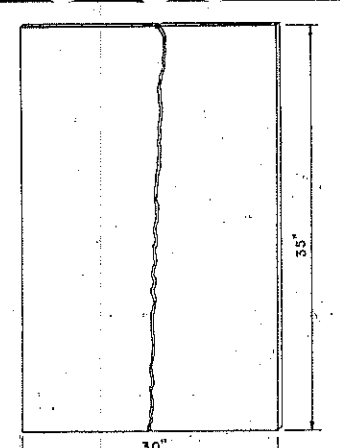
23 ADJUSTABLE SHELF (A)
(Plywood)



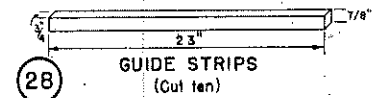
24 SUPPORTING BOARD FOR DRAWERS (A)
(Plywood)



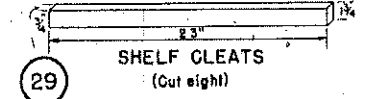
25 ONE-FOURTH INCH PLYWOOD BACK (A & D)
(Cut two)



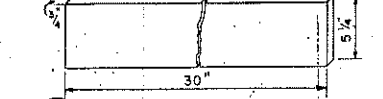
26 ONE-FOURTH INCH
PLYWOOD BACK (C)



27 GUIDE STRIPS
(Cut ten)



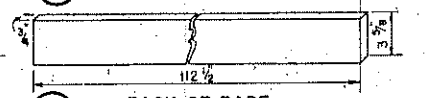
28 SHELF CLEATS
(Cut eight)



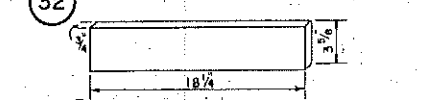
29 FACING BOARD (C)



30 FRONT OF BASE



31 BACK OF BASE

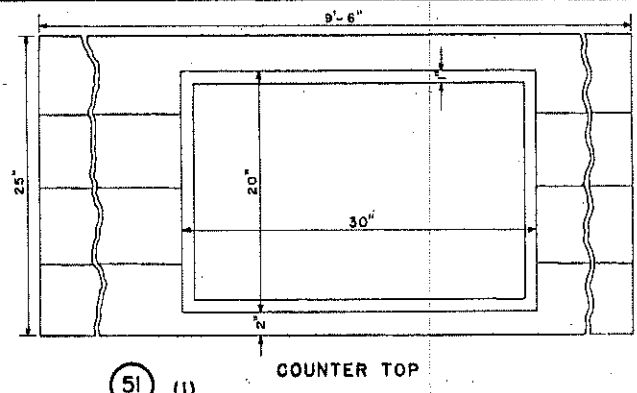
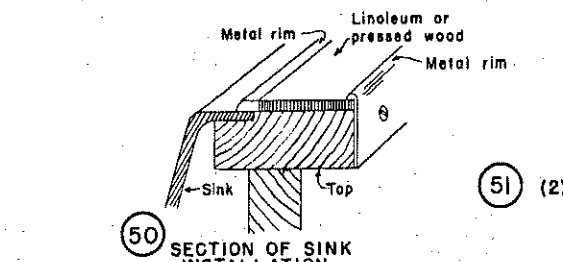
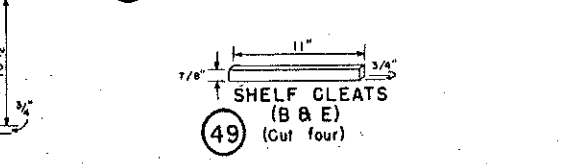
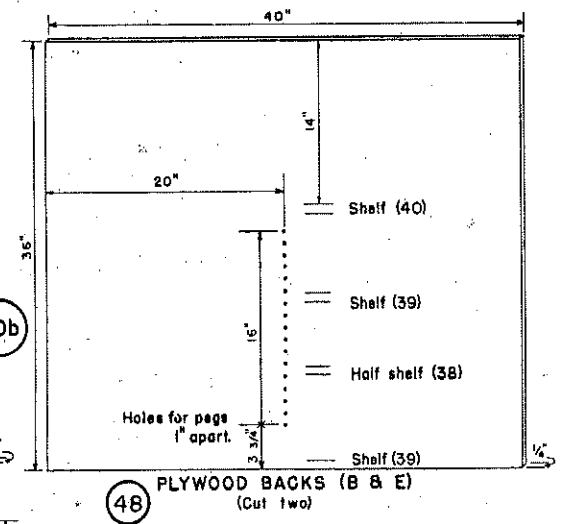
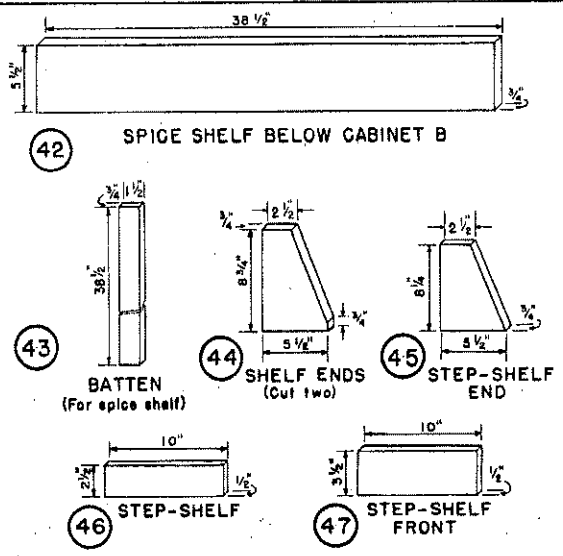
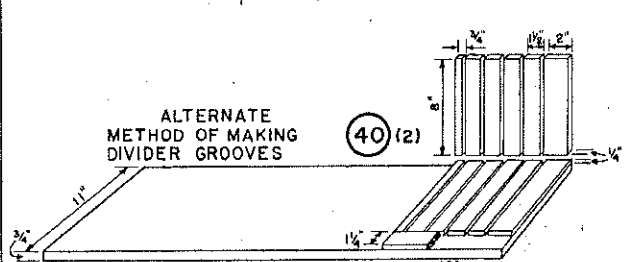
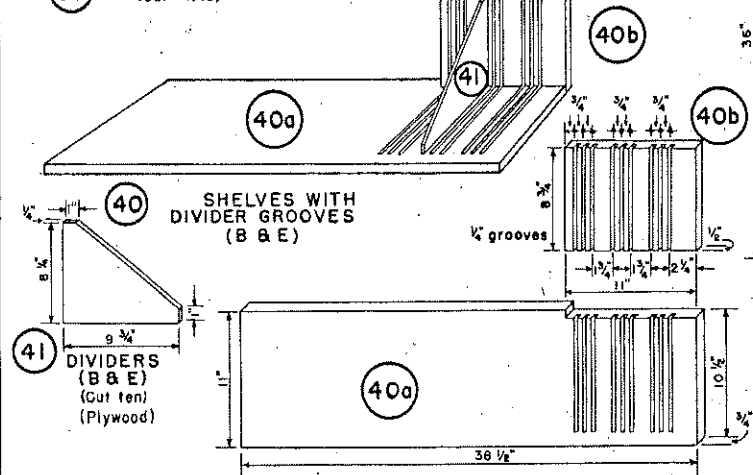
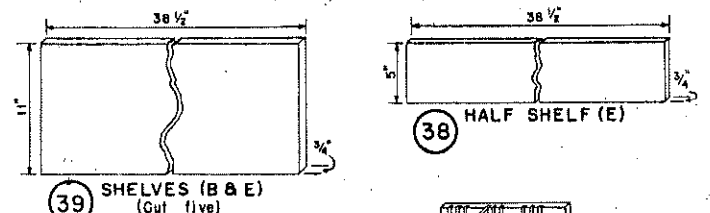
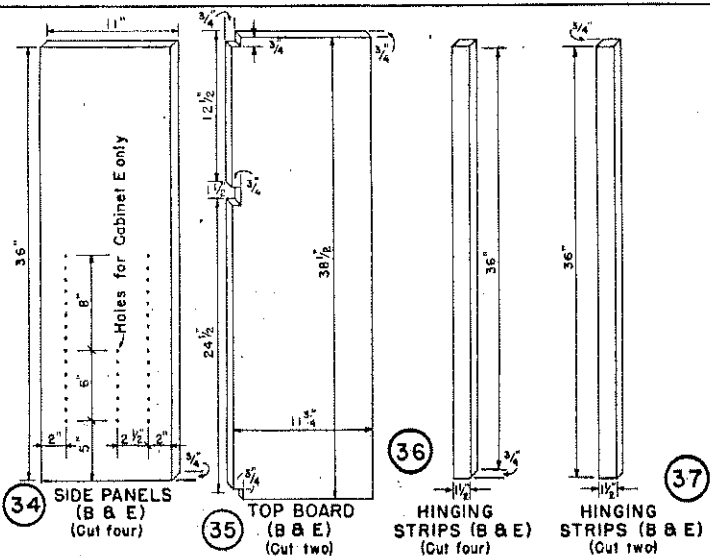


32 RIBS OF BASE
(Cut six)

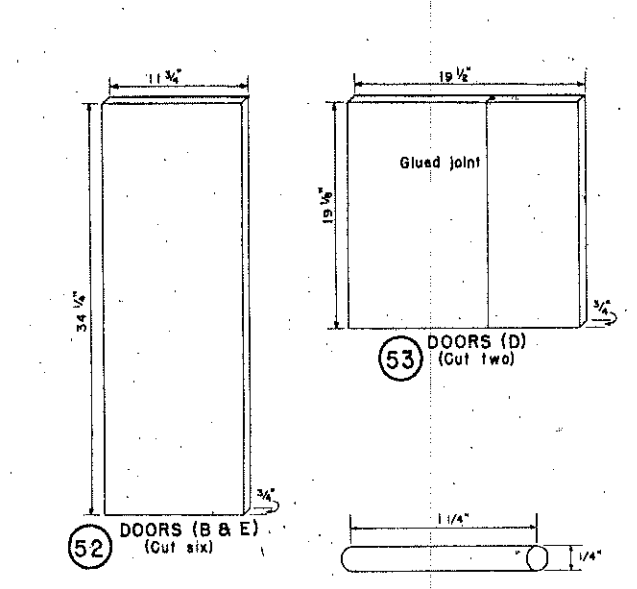
COOPERATIVE EXTENSION WORK IN
AGRICULTURE AND HOME ECONOMICS
STATE OF INDIANA,
PURDUE UNIVERSITY
AND
UNITED STATES DEPARTMENT OF AGRICULTURE COOPERATING

FOOD PREPARATION AND
CLEANING CABINETS

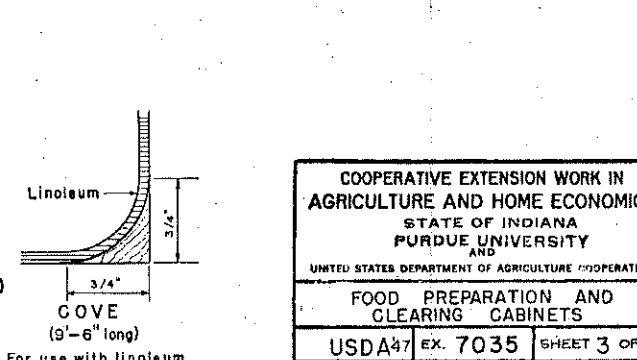
USDA 47 EX. 7035 SHEET 2 OF 6
DESIGNED BY BUREAU OF HUMAN NUTRITION

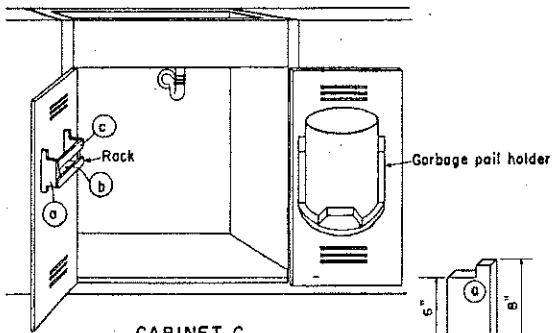


If not made of plywood then avoid waste of material in top by running only the two outer boards the full length of the top and using shorter lengths to extend only to the sink opening. The linoleum or pressed wood covering should extend up the back to the bottom of the cabinet. See Cove detail 51(2) below.

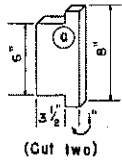


PEGS FOR SHELF SUPPORTS
(Cut twenty-four)

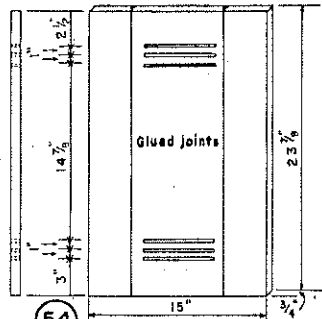




CABINET C

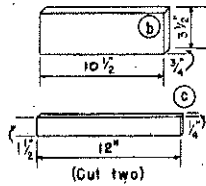


(Cut two)

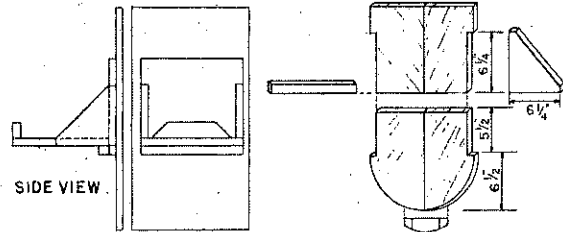
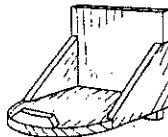


54

VENTILATED DOOR TO CABINET C
(Cut two)

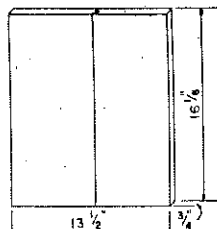


RACK PIECES



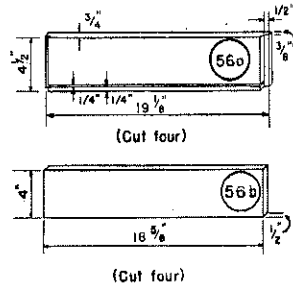
FRONT VIEW

GARBAGE PAIL HOLDER

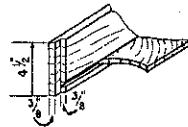


55

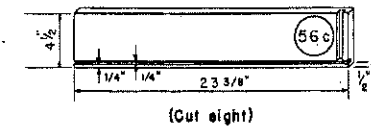
DOOR TO CABINET A



(Cut four)



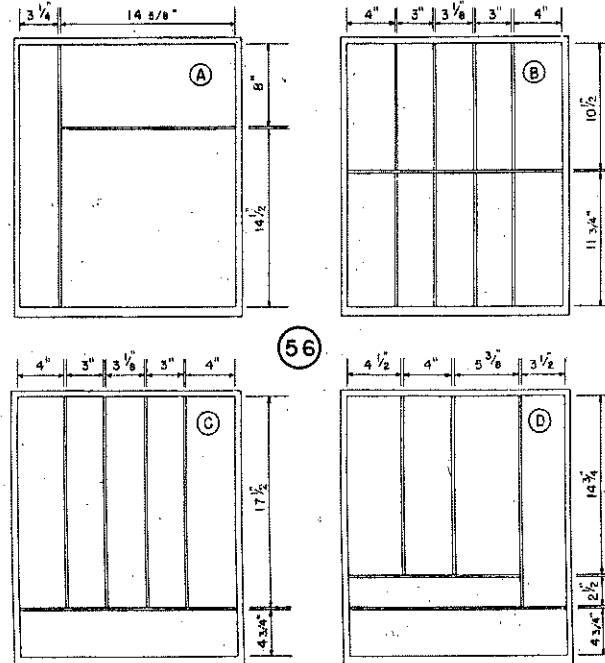
56



(Cut eight)

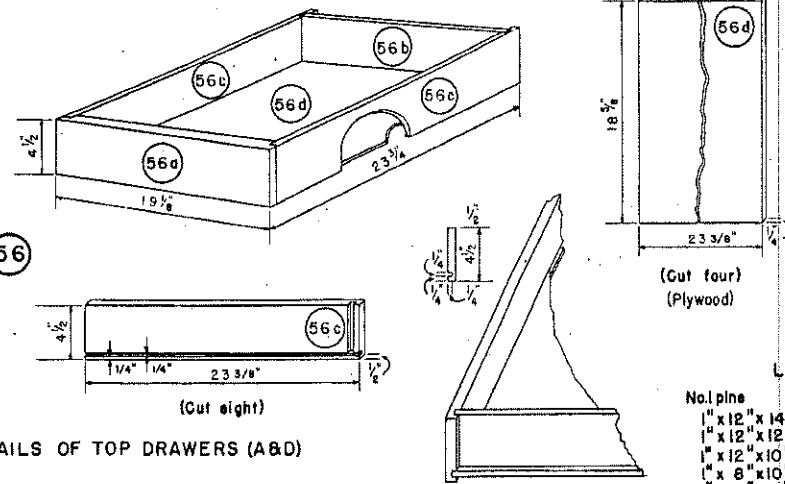
DETAILS OF TOP DRAWERS (A&D)

(BUILD FOUR) PLYWOOD BOTTOM 18 5/8" x 23 3/4"



INTERIOR ARRANGEMENT OF DRAWERS 56 A, B, C, D

All plywood dividers 1/4" thick by 2" high. Back and side panels of drawers 1/2" thick. Front panel of drawer 3/4" thick. All-over dimension of drawer 19 5/8" x 23 3/4" x 4 1/2".



LUMBER

No. plns	Size	Quantity
1"	x 12" x 14'-0"	1 pc.
1"	x 12" x 12'-0"	5 "
1"	x 12" x 10'-0"	2 "
1"	x 8" x 10'-0"	4 "
1"	x 8" x 8'-0"	2 "
1"	x 6" x 14'-0"	1 "
1"	x 6" x 16'-0"	1 "
1"	x 4" x 10'-0"	3 "
1"	x 4" x 8'-0"	1 "
1"	x 3" x 14'-0"	1 "
1"	x 3" x 10'-0"	1 "
1"	x 2" x 14'-0"	5 "
1"	x 2" x 12'-0"	3 "
1"	x 2" x 10'-0"	1 "
1"	x 2" x 8'-0"	1 "
1/2"	x 12" x 12'-0"	1 "
1/2"	x 8" x 10'-0"	1 "
1/2"	x 6" x 14'-0"	2 "
1/2"	x 6" x 8'-0"	1 "

Wood dowels, 1/4" x 3'-0" — 1 "
Plywood
3/4" x 4'-0" x 8'-0" — 1 "
1/4" x 4'-0" x 8'-0" — 4 "
Linoleum or pressed wood — 35 sq. ft.

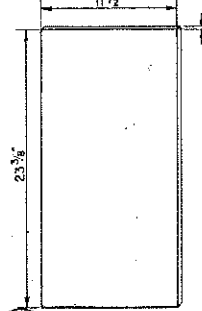
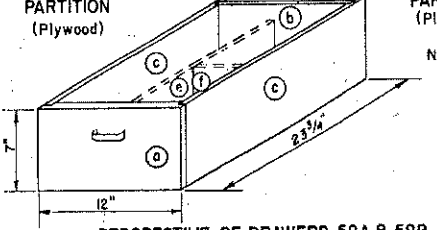
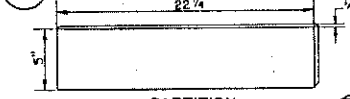
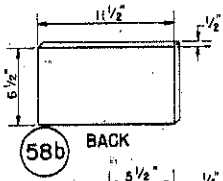
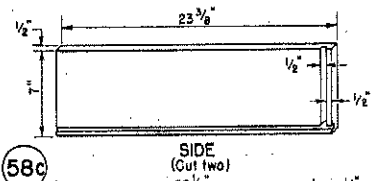
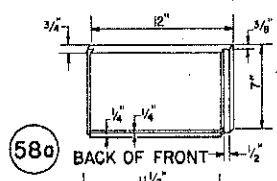
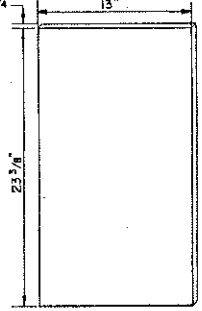
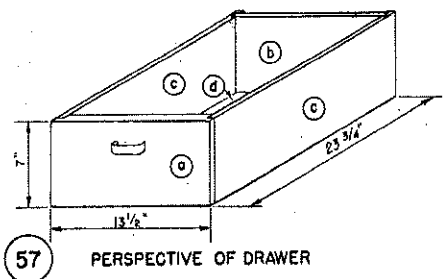
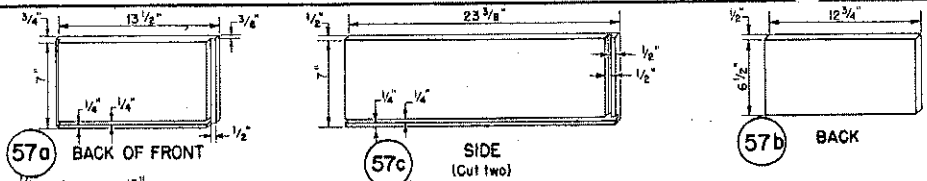
HARDWARE

- Hinges, 1 1/2" x 1 1/2" — 11 pr.
- Door pulls — 11
- Drawer pulls — 13
- Friction catches — 11
- Finishing nails, 4d — 21b.
- " " 6d — 3 "
- Wood screws, No. 8 1 1/2" — 1 gross
- " " No. 4 1/2" — 4 doz.
- Metal edging (counter) — 14 lin. ft.
- (sink) — 10 "
- Galvanized iron (28 ga.) or Tin (10 b.) — 25 sq. ft.

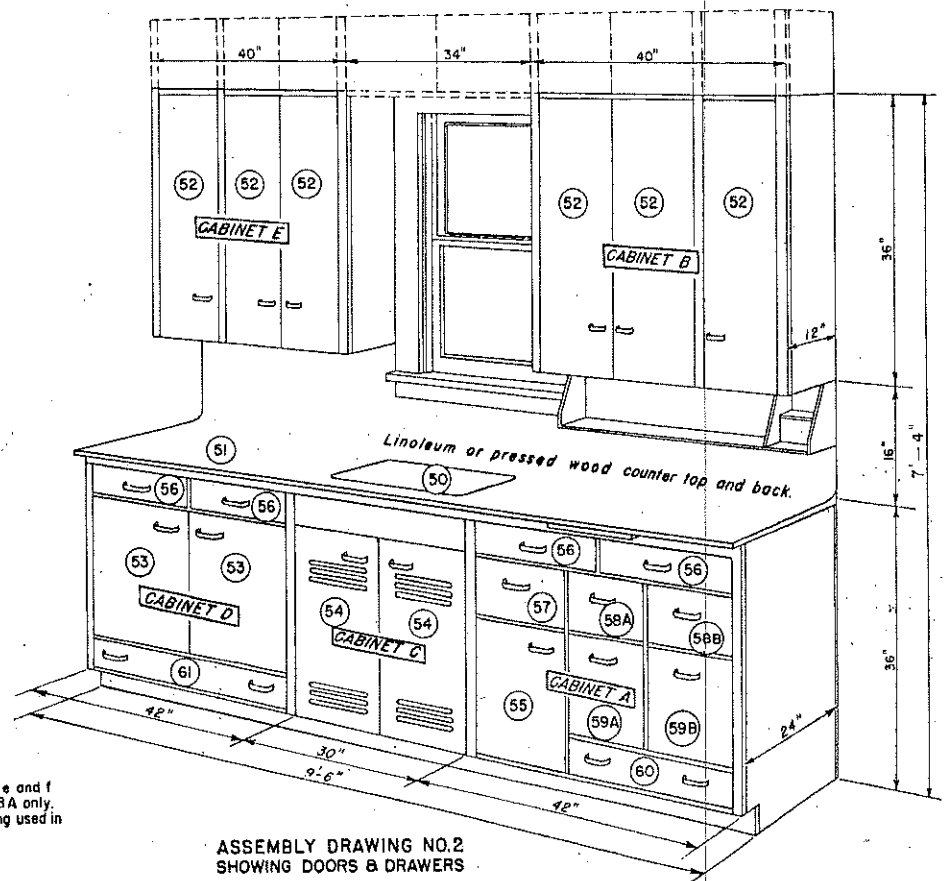
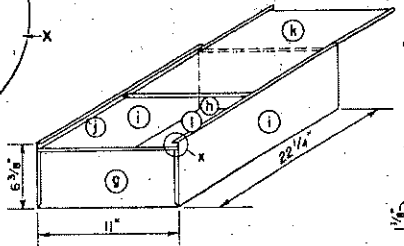
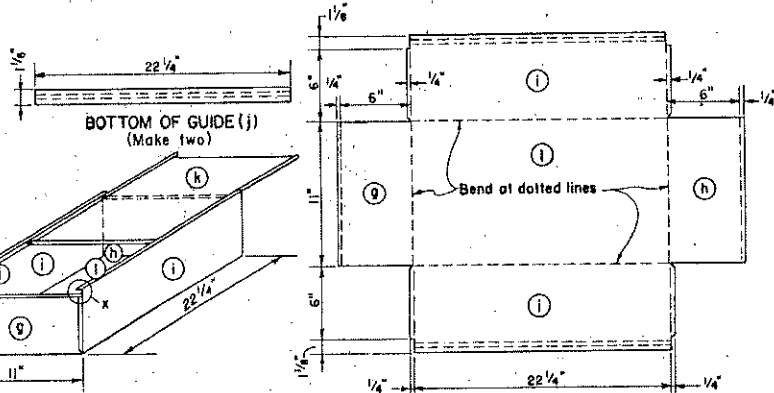
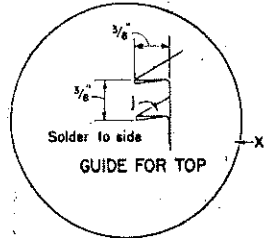
COOPERATIVE EXTENSION WORK IN AGRICULTURE AND HOME ECONOMICS
STATE OF INDIANA
PURDUE UNIVERSITY
AND
UNITED STATES DEPARTMENT OF AGRICULTURE COOPERATING

FOOD PREPARATION AND CLEARING CABINETS

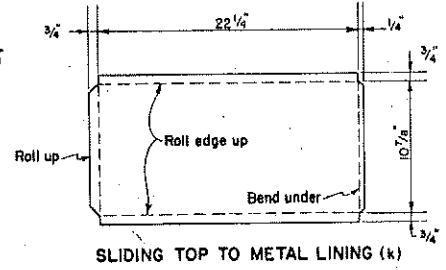
USDA 47 EX. 7035 SHEET 4 OF 6
DESIGNED BY BUREAU OF HUMAN NUTRITION



Note: Partitions e and f used in 58A only. Metal lining used in 58 B.



ASSEMBLY DRAWING NO.2
SHOWING DOORS & DRAWERS

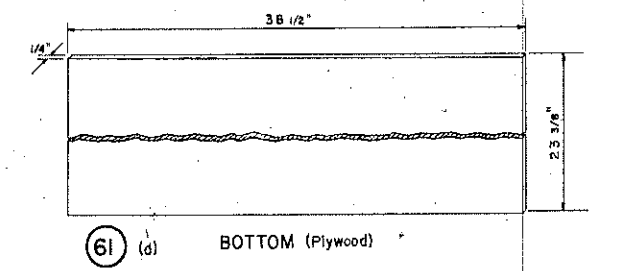
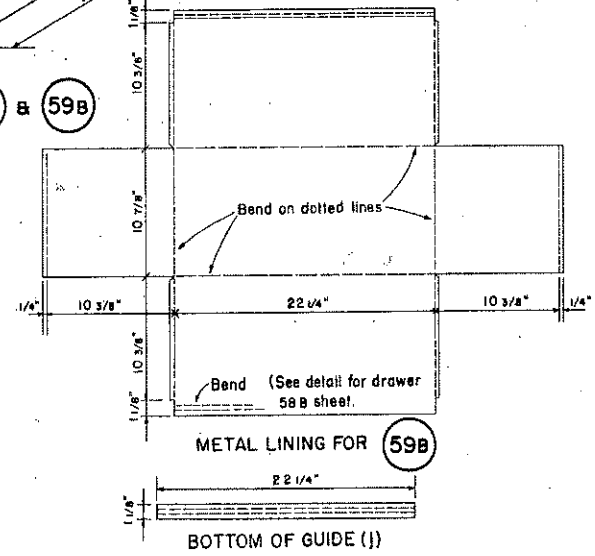
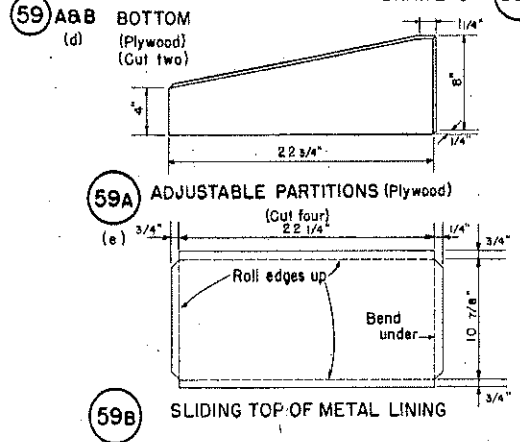
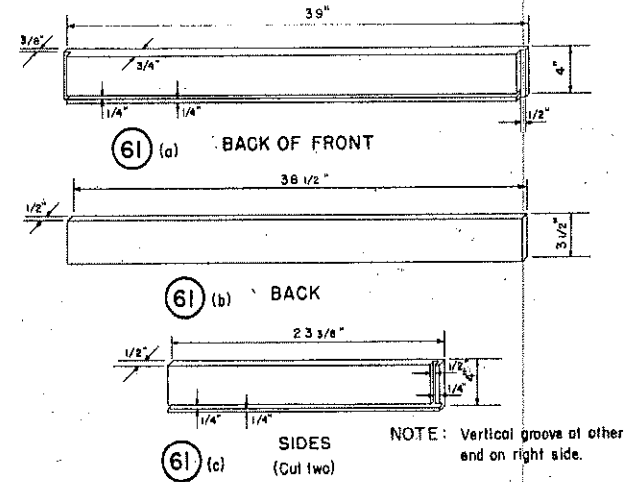
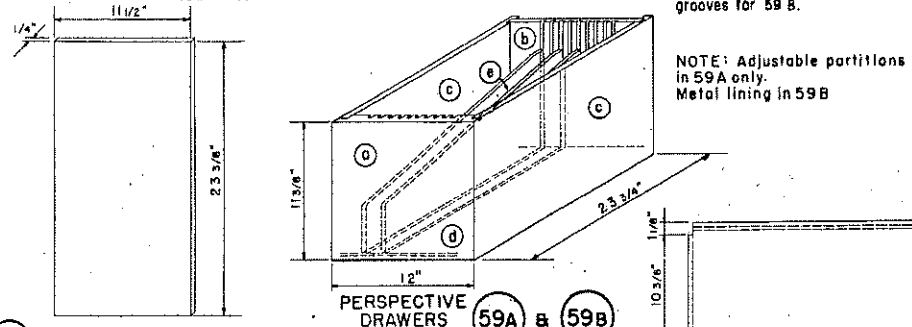
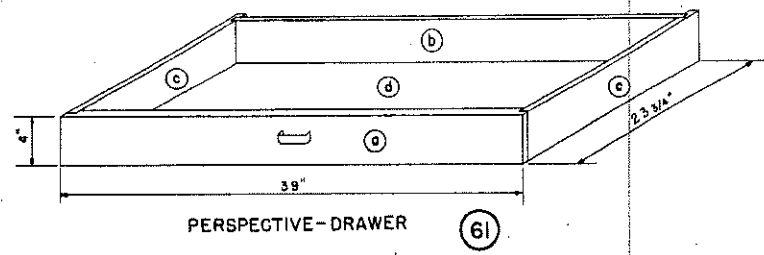
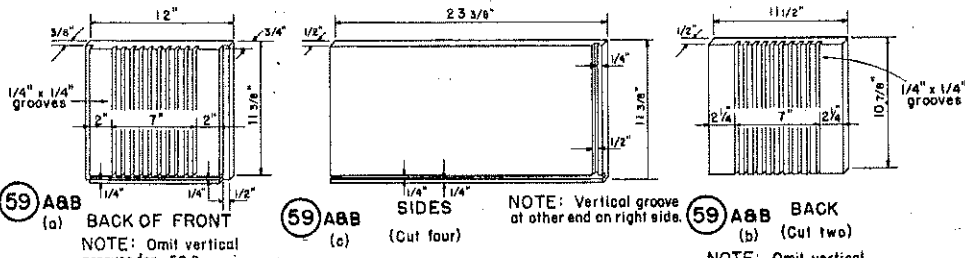


Note: Use 28 ga. galvanized iron or 10 lb. tin for metal linings.

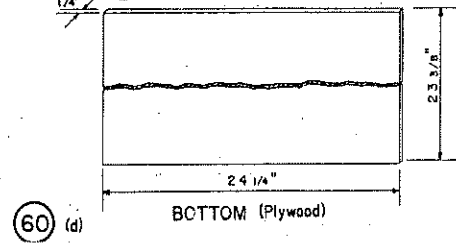
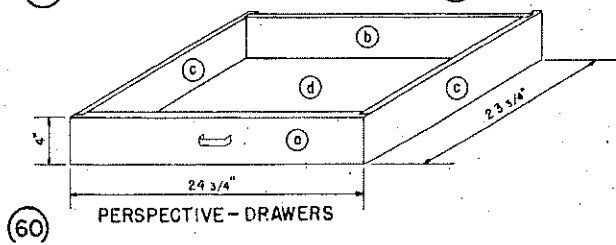
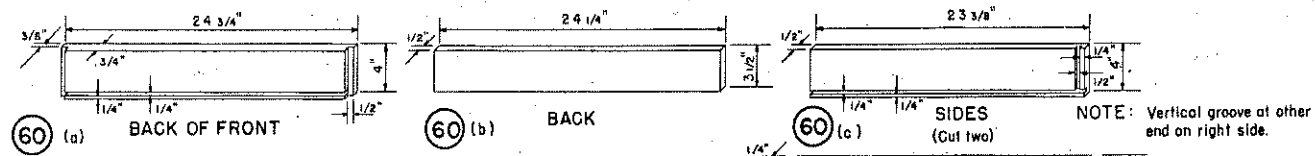
COOPERATIVE EXTENSION WORK IN
 AGRICULTURE AND HOME ECONOMICS
 STATE OF INDIANA
 PURDUE UNIVERSITY
 AND
 UNITED STATES DEPARTMENT OF AGRICULTURE COOPERATING

FOOD PREPARATION AND
 CLEARING CABINETS

USDA 47 EX. 7035 SHEET 5 OF 6
 DESIGNED BY BUREAU OF HUMAN NUTRITION



NOTE: Metal for lining to be 28 ga. galvanized iron or 10 lb. tin.



COOPERATIVE EXTENSION WORK IN
 AGRICULTURE AND HOME ECONOMICS
 STATE OF INDIANA
 PURDUE UNIVERSITY
 AND
 UNITED STATES DEPARTMENT OF AGRICULTURE COOPERATING

FOOD PREPARATION AND
 CLEARING CABINETS

USDA 47 EX. 7035 SHEET 6 OF 6
 DESIGNED BY BUREAU OF HUMAN NUTRITION