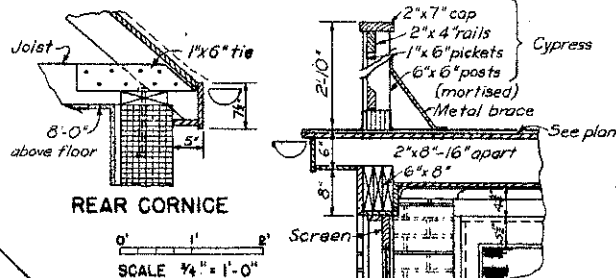
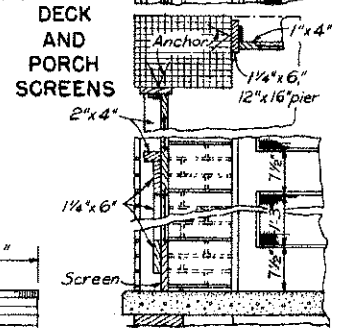




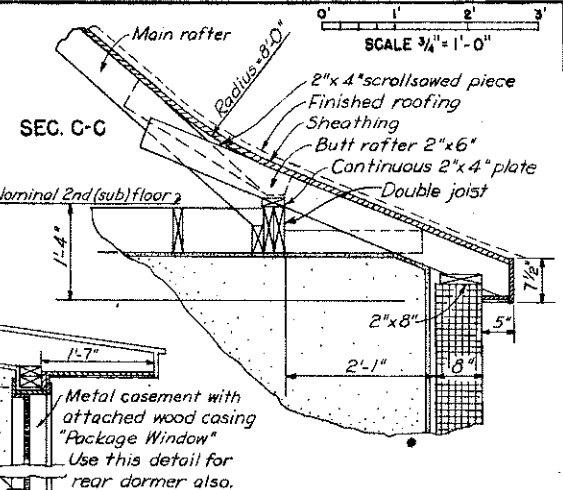
PERSPECTIVE



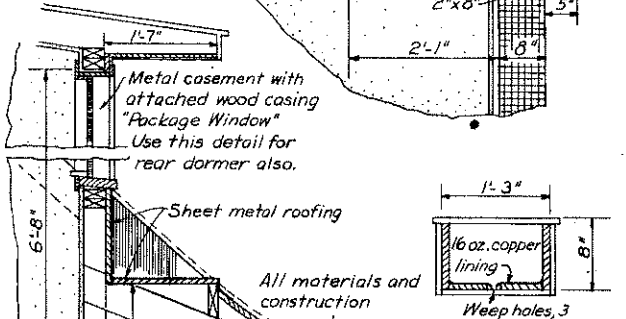
REAR CORNICE



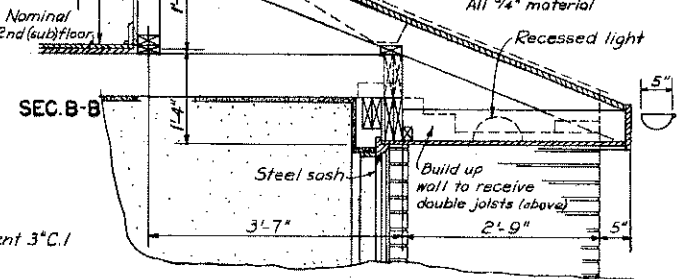
DECK AND PORCH SCREENS



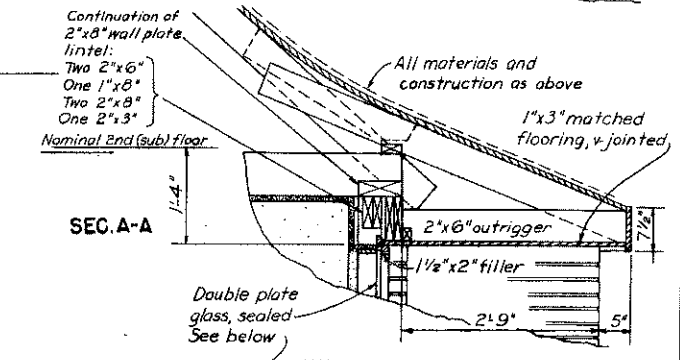
SEC. C-C



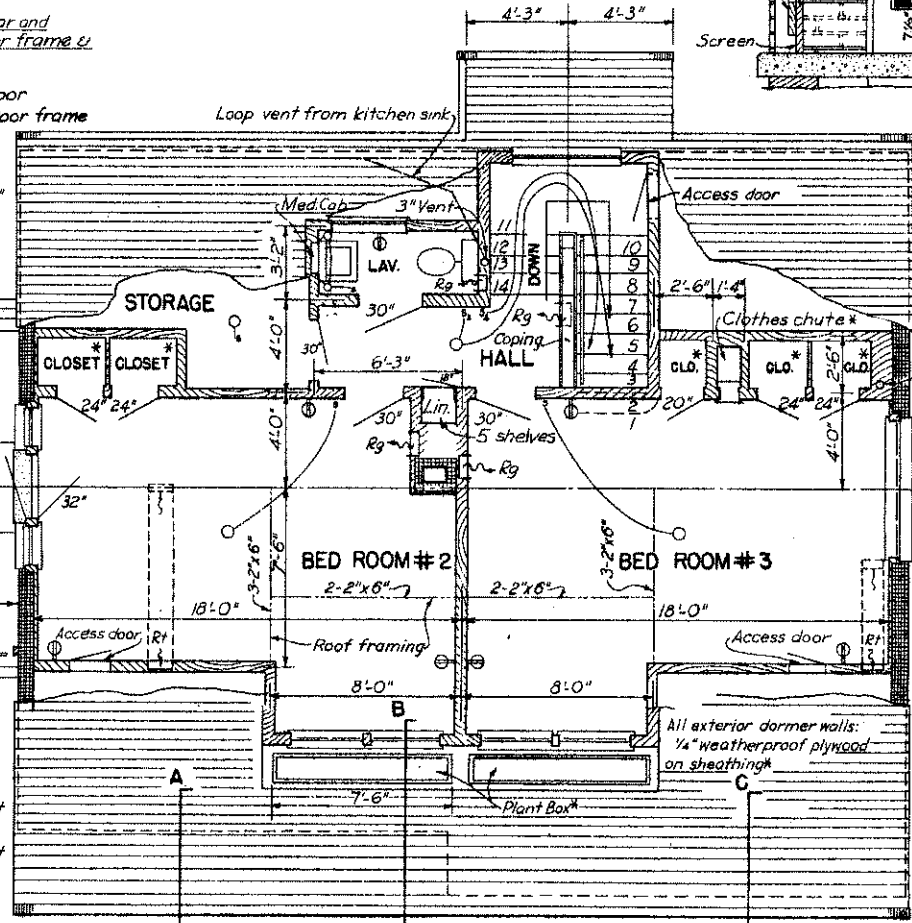
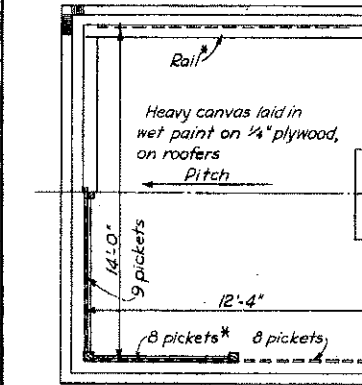
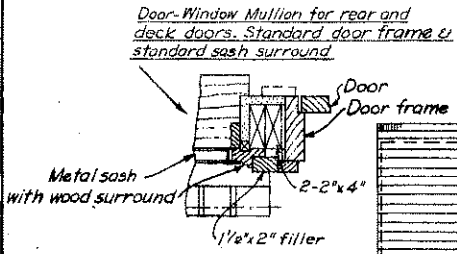
PLANT BOX SECTION



SEC. B-B



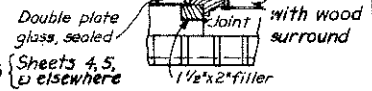
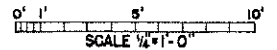
SEC. A-A



SECOND FLOOR PLAN

PLUMBING FIXTURES

Fixture	Size	Fittings
Tub	30"x60"	Shower over
Basins	22"x18"	Sing. faucet
W.C.'s	29"	Low Tank
Sink	18"x24"	Swing faucet
Lau. Trays	24"x48"	"
Shower	32"x32"	Steel
Hot Water Tank	- 72 gallon	
Med. Cab.	With 2 light fixtures	



*SEE DETAILS

COOPERATIVE EXTENSION WORK IN AGRICULTURE AND HOME ECONOMICS
 STATE OF NORTH DAKOTA
 NORTH DAKOTA AGRICULTURAL COLLEGE
 AND
 UNITED STATES DEPARTMENT OF AGRICULTURE COOPERATING

FARMHOUSE PLAN

U.S.D.A. '47 EX. 7016 SHEET 2 OF 5

Where frame superstructure is substituted replace sheet 5 with 7032.

