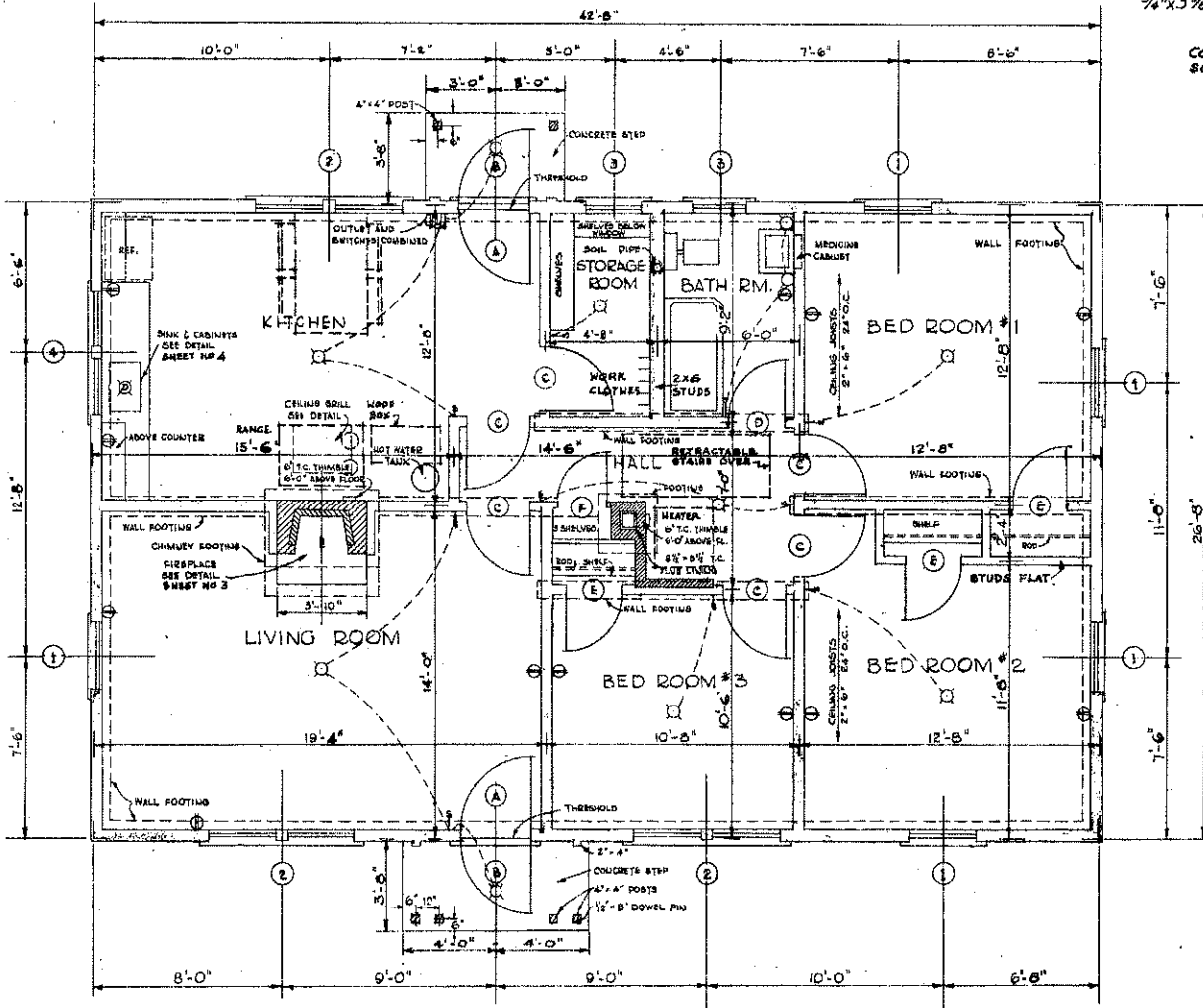


DOOR SCHEDULE		
MARK	SIZE	DESCRIPTION
(A)	3'-0" x 7'-0" x 1 3/4"	8 LIGHTS - 2 PANEL
(B)	3'-0" x 7'-0" x 1 1/8"	SCREEN - 2 PANEL
(C)	2'-8" x 7'-0" x 1 3/8"	5 CROSS PANEL
(D)	2'-4" x 7'-0" x 1 3/8"	5 CROSS PANEL
(E)	2'-4" x 7'-0" x 1 3/8"	5 CROSS PANEL
(F)	2'-0" x 7'-0" x 1 3/8"	5 CROSS PANEL

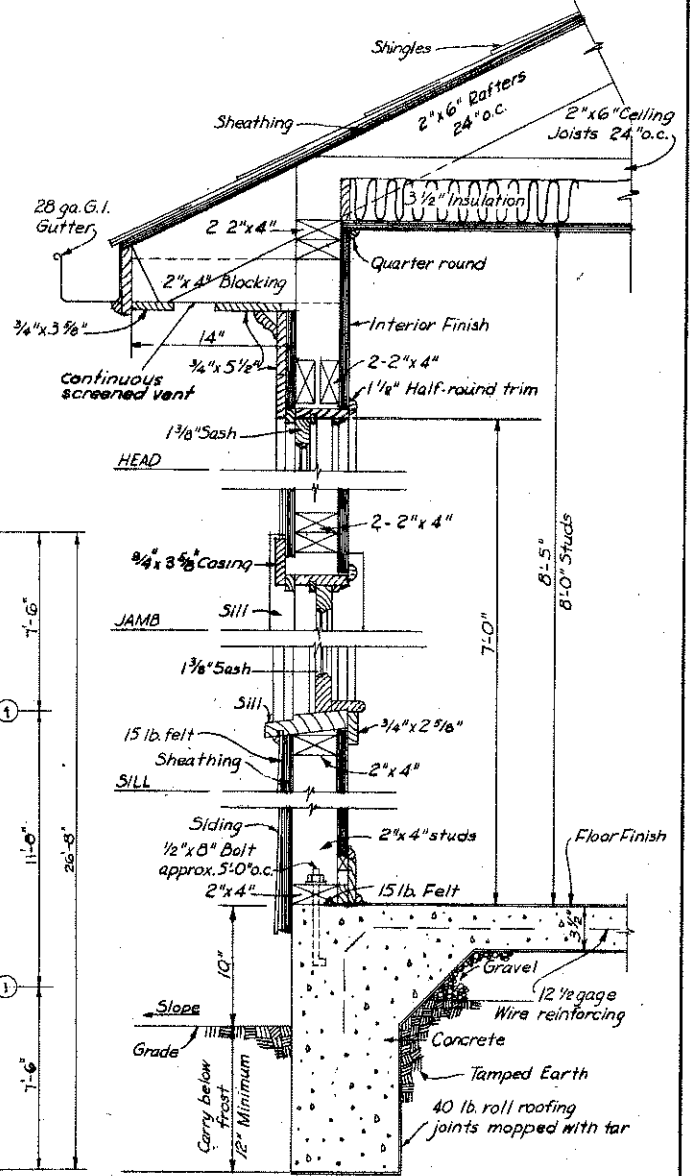
WINDOW SCHEDULE		
MARK	SIZE	DESCRIPTION
(1)	3'-0" x 4'-6" x 1 3/8"	12 LT. O.H. MEET. RAIL
(2)	3'-0" x 4'-6" x 1 3/8" DBL.	12 LT. O.H. MEET. RAIL
(3)	2'-4" x 3'-2" x 1 3/8"	12 LT. O.H. MEET. RAIL
(4)	2'-4" x 3'-2" x 1 3/8" DBL.	12 LT. O.H. MEET. RAIL



FLOOR PLAN
SCALE 1/4" = 1'-0"

- SYMBOLS**
- Ceiling light
 - ⊕ Range outlet
 - ▨ Wood
 - ▩ Material optional
 - ⊖ Wall bracket
 - ⊙ Drop cord
 - ▧ Concrete
 - ▦ Earth
 - ⊕ Convenience outlet
 - Wall switch
 - ▨ Gravel
 - ▩ Brick
 - ▨ Insulation

GENERAL NOTES:
Place all footings on solid ground. Slope finished grade away from foundation.
Double joists and rafters around openings in ceiling or roof wider than one joist space.
Double studs around windows and doors.

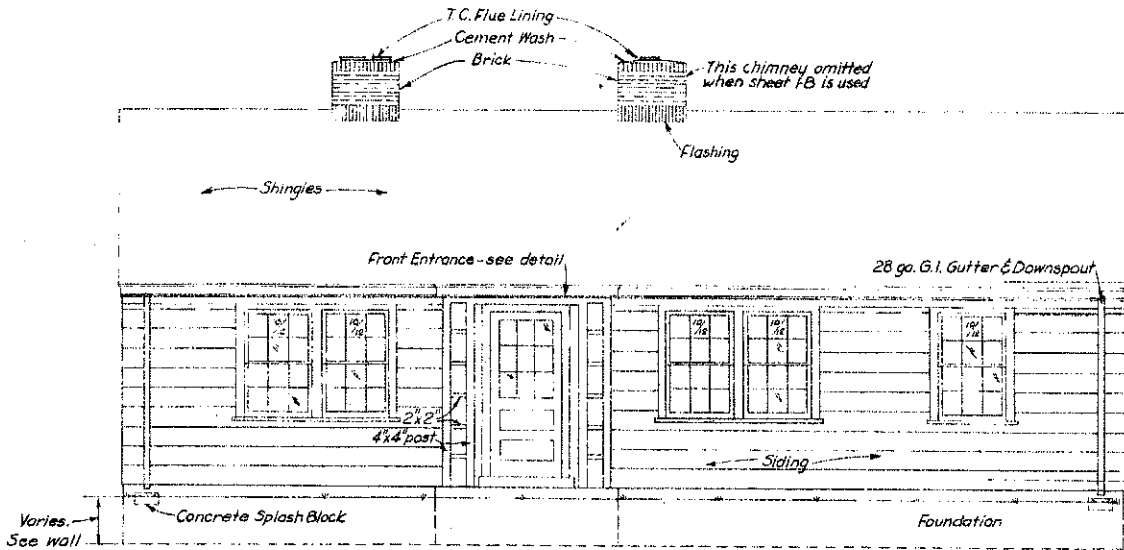


TYPICAL WALL SECTION
Scale 1/4" = 1'-0"

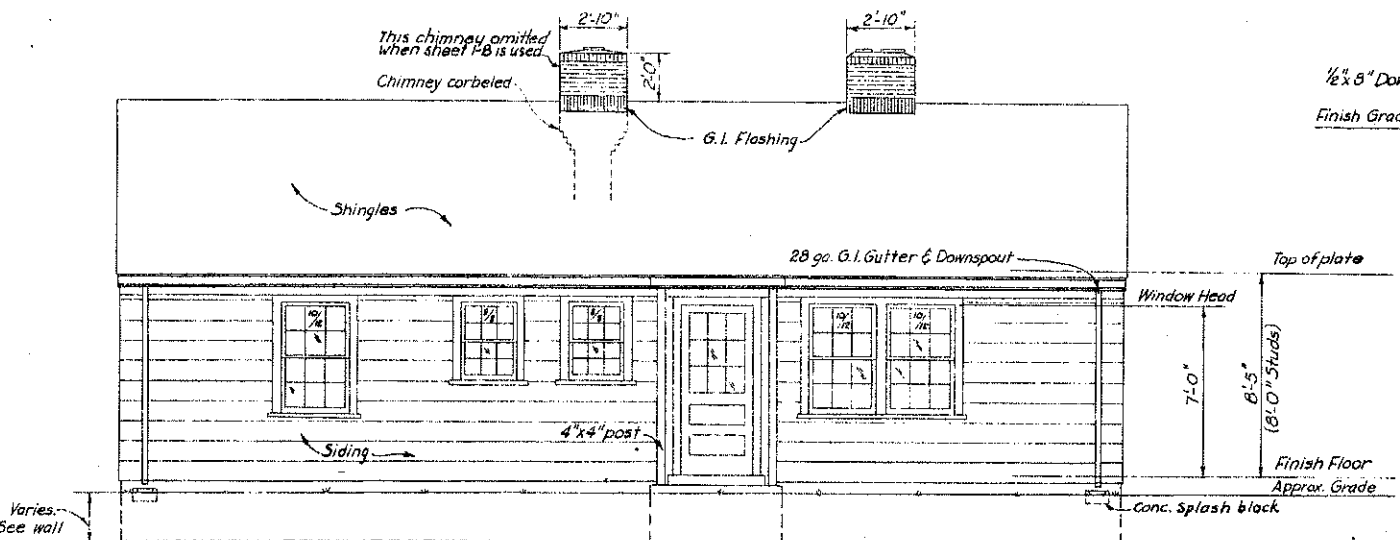
COOPERATIVE EXTENSION WORK IN
AGRICULTURE AND HOME ECONOMICS
STATE OF NORTH DAKOTA
NORTH DAKOTA AGRICULTURAL COLLEGE
UNITED STATES DEPARTMENT OF AGRICULTURE COOPERATING

FARMHOUSE PLAN FOR SOUTH

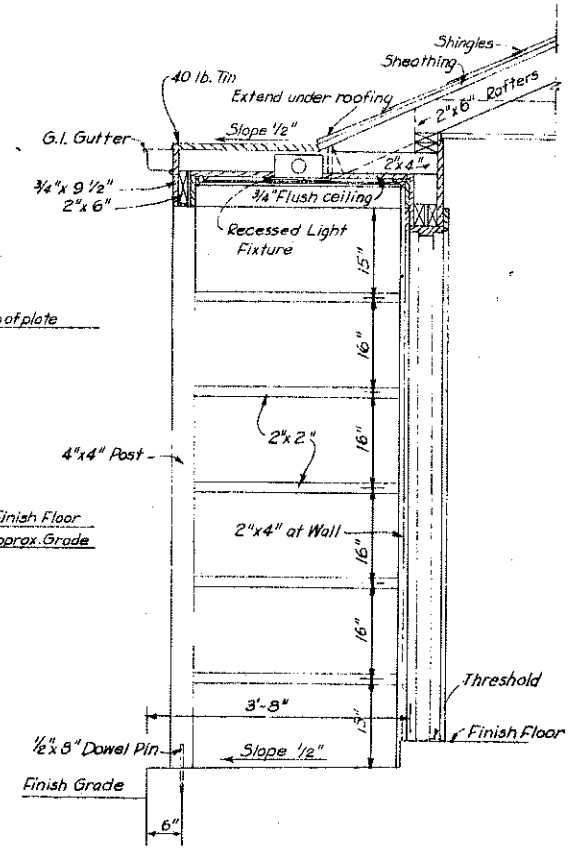
USDA '46	EX. 7011	SHEET 1
----------	----------	---------



FRONT ELEVATION
Scale $\frac{1}{4}"=1'-0"$



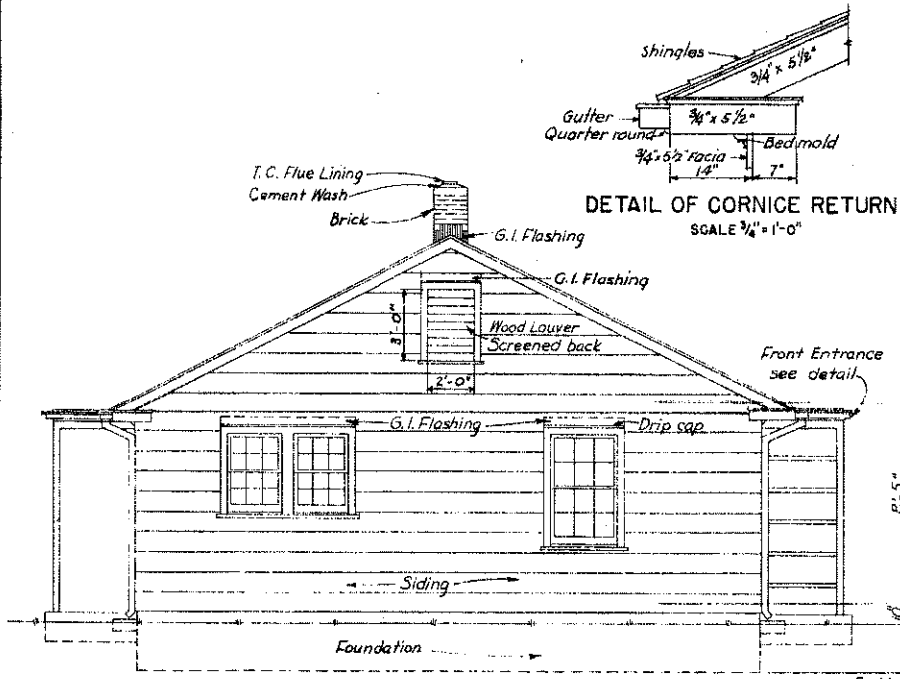
REAR ELEVATION
Scale $\frac{1}{4}"=1'-0"$



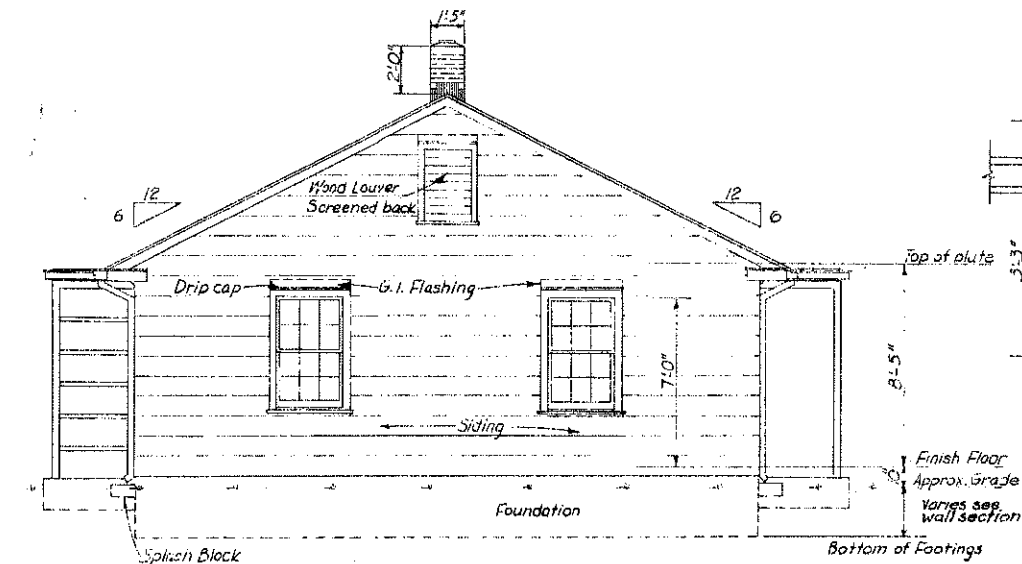
DETAIL-FRONT ENTRANCE
Scale $\frac{3}{4}"=1'-0"$

Note: for exact location of all windows and doors see floor plan.

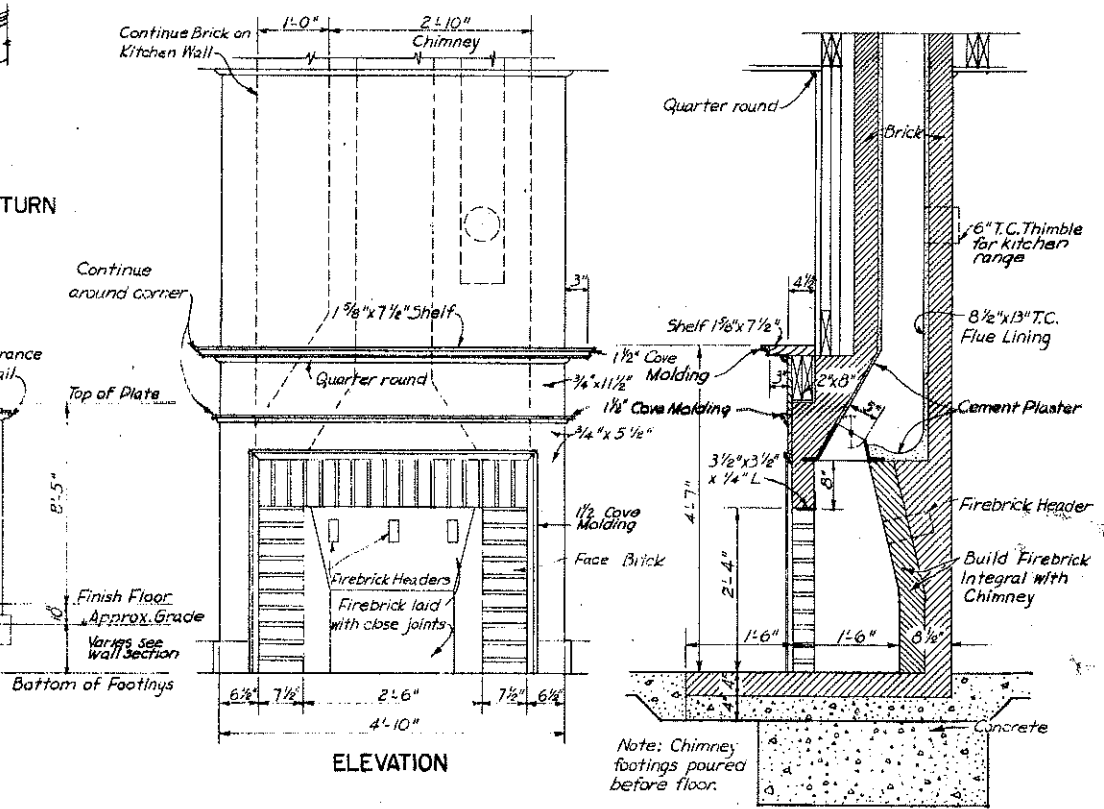
COOPERATIVE EXTENSION WORK IN AGRICULTURE AND HOME ECONOMICS		
STATE OF NORTH DAKOTA		
NORTH DAKOTA AGRICULTURAL COLLEGE		
AND		
UNITED STATES DEPARTMENT OF AGRICULTURE COOPERATING		
FARMHOUSE PLAN FOR NORTH OR SOUTH		
USDA '46	EX. 7011	SHEET 2



LEFT SIDE ELEVATION
Scale 1/4" = 1'-0"

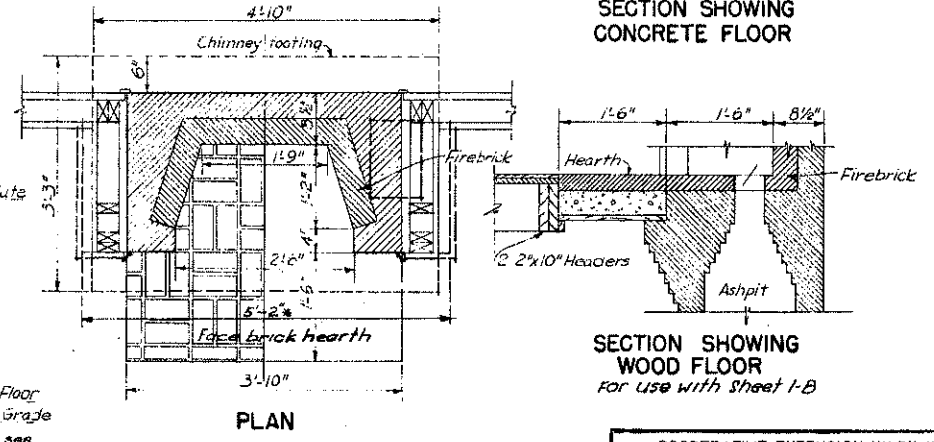


RIGHT SIDE ELEVATION
Scale 1/4" = 1'-0"



ELEVATION

SECTION SHOWING
CONCRETE FLOOR



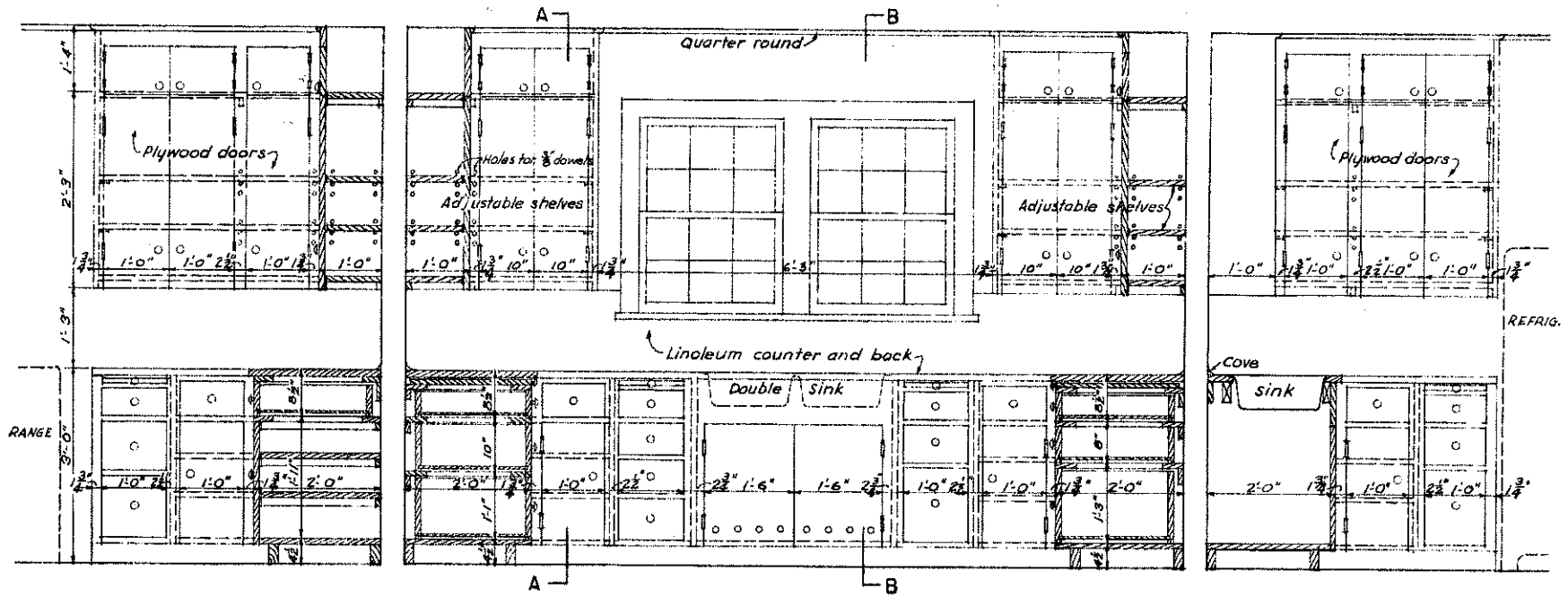
PLAN

SECTION SHOWING
WOOD FLOOR
for use with Sheet 1-B

* Note: Where heating plant is located in basement as with SHEETS 1-B and 1-B1, fireplace must be enlarged to allow for 8 1/2" x 13" flue from furnace as indicated by dotted lines.

FIREPLACE DETAILS
Scale 3/4" = 1'-0"

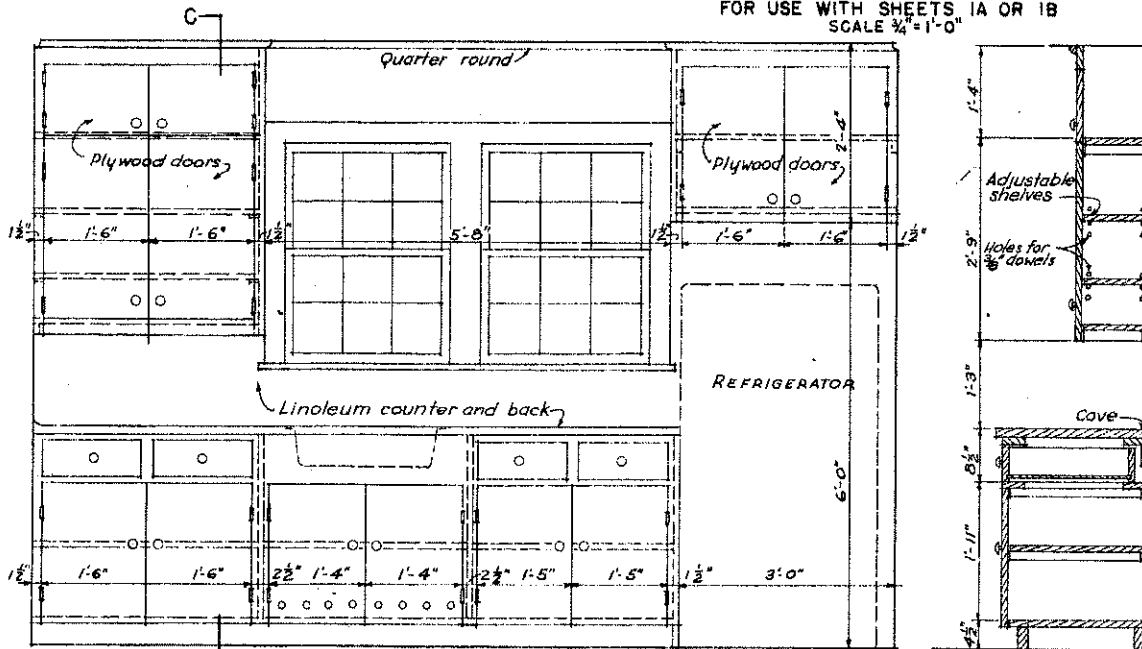
COOPERATIVE EXTENSION WORK IN AGRICULTURE AND HOME ECONOMICS STATE OF NORTH DAKOTA NORTH DAKOTA AGRICULTURAL COLLEGE AND UNITED STATES DEPARTMENT OF AGRICULTURE COOPERATING			
FARMHOUSE PLAN FOR NORTH OR SOUTH			
USDA 46	EX 7011	SHEET 3	



SECTION A-A

ELEVATION
 DETAILS OF KITCHEN CABINETS
 FOR USE WITH SHEETS 1A OR 1B
 SCALE 3/4" = 1'-0"

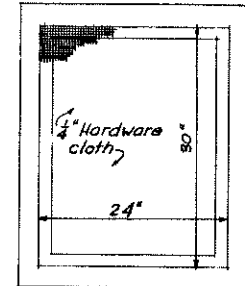
SECTION B-B



ELEVATION

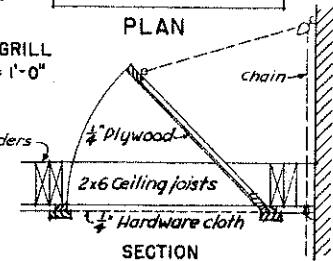
DETAILS OF KITCHEN CABINETS
 FOR USE WITH SHEETS 1
 SCALE 3/4" = 1'-0"

SECTION C-C



PLAN

DETAIL OF KITCHEN
 CEILING GRILL
 SCALE 1" = 1'-0"



SECTION

COOPERATIVE EXTENSION WORK IN
 AGRICULTURE AND HOME ECONOMICS
 STATE OF NORTH DAKOTA
 NORTH DAKOTA AGRICULTURAL COLLEGE
 AND

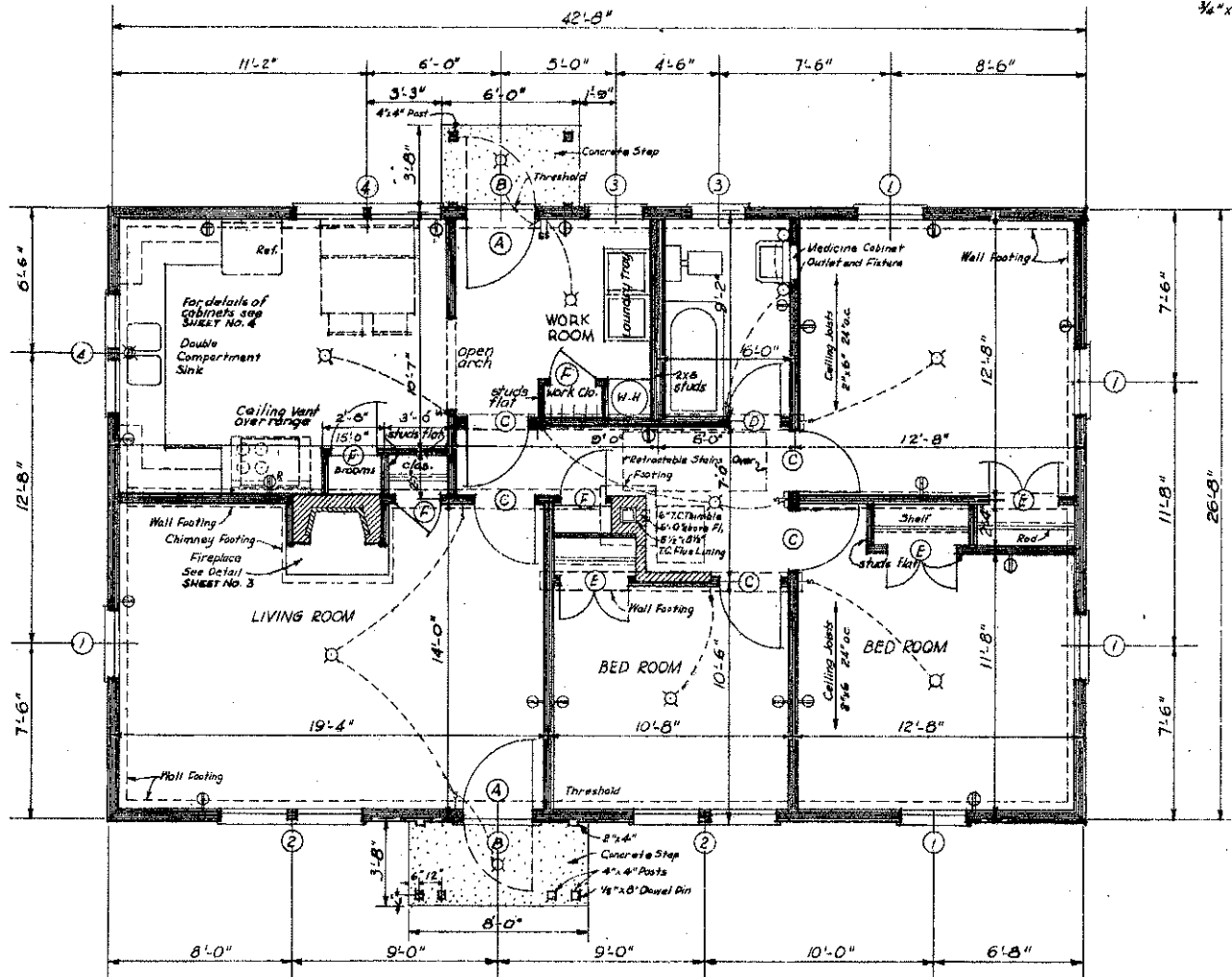
UNITED STATES DEPARTMENT OF AGRICULTURE COOPERATING

FARMHOUSE PLAN
 FOR NORTH OR SOUTH

USDA '46 EX. 7011 SHEET 4

DOOR SCHEDULE		
MARK	SIZE	DESCRIPTION
A	3'-0" x 7'-0" x 1 1/4"	9 lights - 2 panel
B	3'-0" x 7'-0" x 1 1/8"	Screen 2 panel
C	2'-8" x 7'-0" x 1 1/8"	5 cross panel
D	2'-4" x 7'-0" x 1 1/8"	5 cross panel
E	1'-6" x 7'-0" x 1 1/8"	5 cross panel
F	2'-0" x 7'-0" x 1 1/8"	5 cross panel

WINDOW SCHEDULE		
MARK	SIZE	DESCRIPTION
1	3'-0" x 4'-6" x 1 1/8"	1/2 Lt. Meet. Rail
2	3'-0" x 4'-6" x 1 1/8" dbl.	1/2 Lt. Meet. Rail
3	2'-4" x 3'-2" x 1 1/8"	1/2 Lt. Meet. Rail
4	2'-4" x 3'-2" x 1 1/8" dbl.	1/2 Lt. Meet. Rail

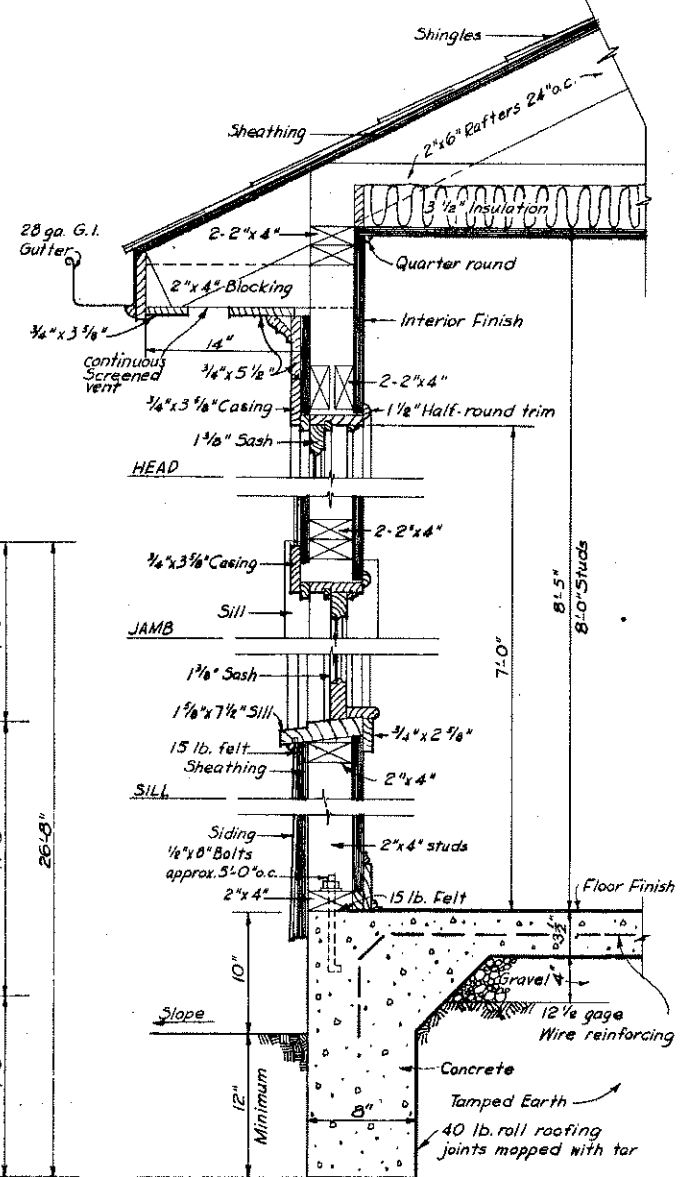


GENERAL NOTES:
Place all footings on solid ground.
Slope finished grade away from foundations.
Double joists and rafters around all openings in ceiling or roof wider than one joist space.
Double studs around windows and doors.

FLOOR PLAN
SCALE 1/4" = 1'-0"

SYMBOLS:

- Ceiling light
- Range Outlet
- ▨ Wood
- ▨ Earth
- ▨ Insulation
- Wall bracket
- Drop cord
- ▨ Concrete
- ▨ Material Optional
- Convenience outlet
- Wall switch
- ▨ Gravel
- ▨ Brick



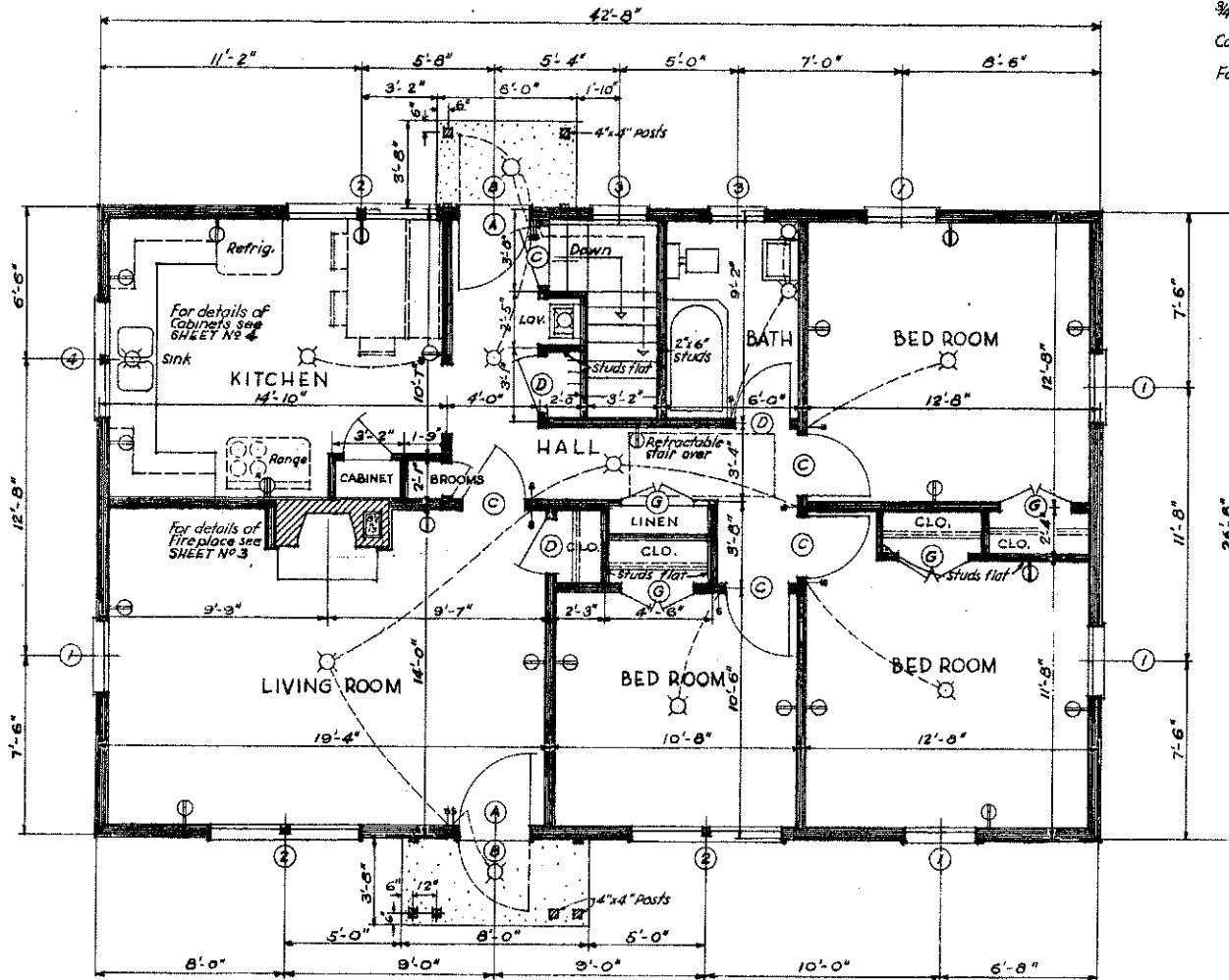
COOPERATIVE EXTENSION WORK IN
AGRICULTURE AND HOME ECONOMICS
STATE OF NORTH DAKOTA
NORTH DAKOTA AGRICULTURAL COLLEGE
AND
UNITED STATES DEPARTMENT OF AGRICULTURE COOPERATING

**FARMHOUSE PLAN
FOR SOUTH**

USDA '46	EX. 7011	SHEET 1-A
----------	----------	-----------

DOOR SCHEDULE			
MARK	SIZE	DESCRIPTION	
A	3'-0" x 7'-0" x 1 3/4"	9 lights - 2 panel	
B	3'-0" x 7'-0" x 1 1/8"	Screen - 2 panel	
C	2'-8" x 7'-0" x 1 3/8"	5 cross panel	
D	2'-4" x 7'-0" x 1 3/8"	5 cross panel	
E	2'-4" x 7'-0" x 7/8"	5 cross panel	
F	2'-0" x 7'-0" x 7/8"	5 cross panel	
G	1'-6" x 7'-0" x 1 3/8"	5 cross panel - 2	

WINDOW SCHEDULE			
MARK	SIZE	DESCRIPTION	
1	3'-0" x 4'-6" x 1 3/8"	12 Lt. D.H.	
2	3'-0" x 4'-6" x 1 3/8"	12 Lt. D.H. (Double)	
3	2'-4" x 3'-2" x 1 3/8"	12 Lt. D.H.	
4	2'-4" x 3'-2" x 1 3/8"	12 Lt. D.H. (Double)	
5	2'-4" x 1'-8" x 1 3/8"	3 Lt. Basement	
6	2'-4" x 1'-8" x 1 3/8"	3 Lt. Basement (dbl)	



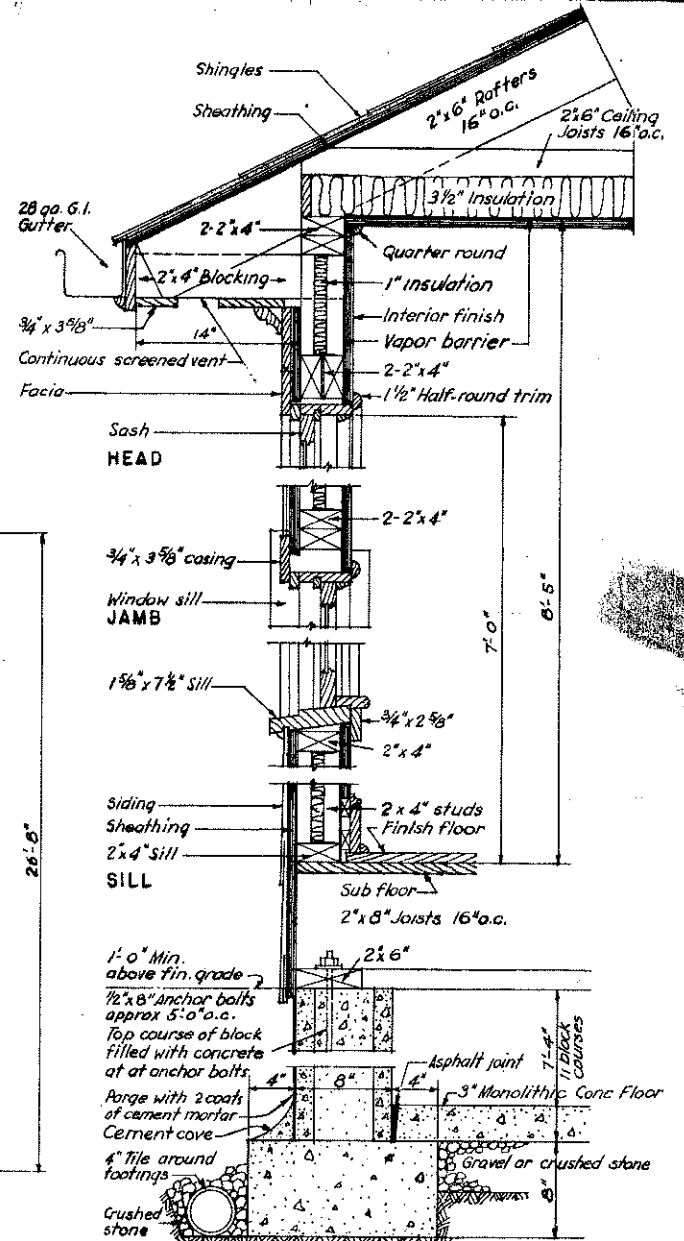
FIRST FLOOR PLAN

SCALE 1/4" = 1'-0"

SYMBOLS

- Ceiling light
- ⊙ Range Outlet
- ⊙ Wall bracket
- ⊙ Drop cord
- ⊙ Convenience outlet
- ⊙ Wall switch

- ▨ Wood
- ▨ Concrete
- ▨ Gravel
- ▨ Earth
- ▨ Material optional
- ▨ Brick
- ▨ Insulation



TYPICAL WALL SECTION
SCALE 1/2" = 1'-0"

GENERAL NOTES

- Place all footings on solid ground. Slope finished grade away from foundations.
- Double joists under partitions which run parallel to joists.
- Double joists around all stair openings and other openings in floor ceiling or roof wider than one joist space.
- Double studs around windows and doors.

COOPERATIVE EXTENSION WORK IN
AGRICULTURE AND HOME ECONOMICS
STATE OF NORTH DAKOTA
NORTH DAKOTA AGRICULTURAL COLLEGE
UNITED STATES DEPARTMENT OF AGRICULTURE COOPERATING

FARMHOUSE PLAN
FOR NORTH

USDA '46 EX. 7011 SHEET 1-B

