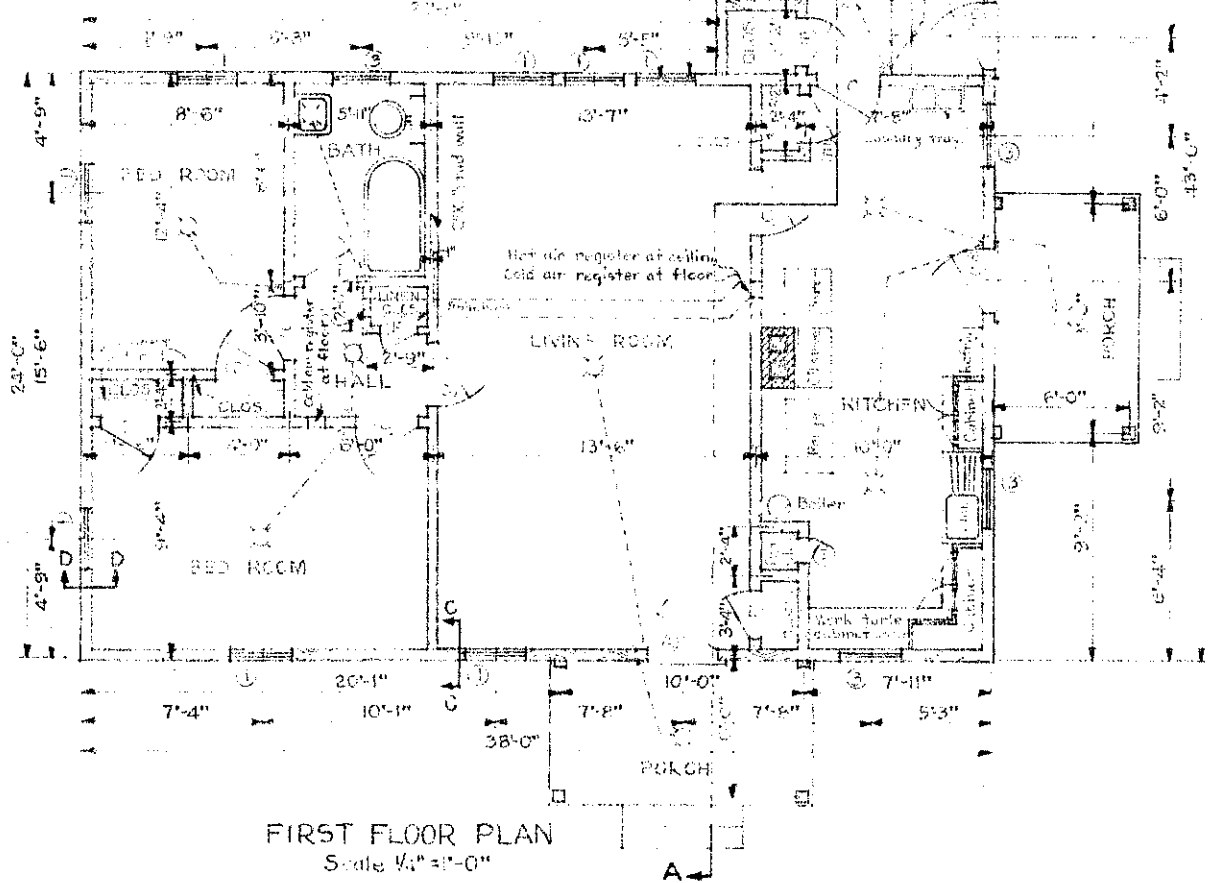
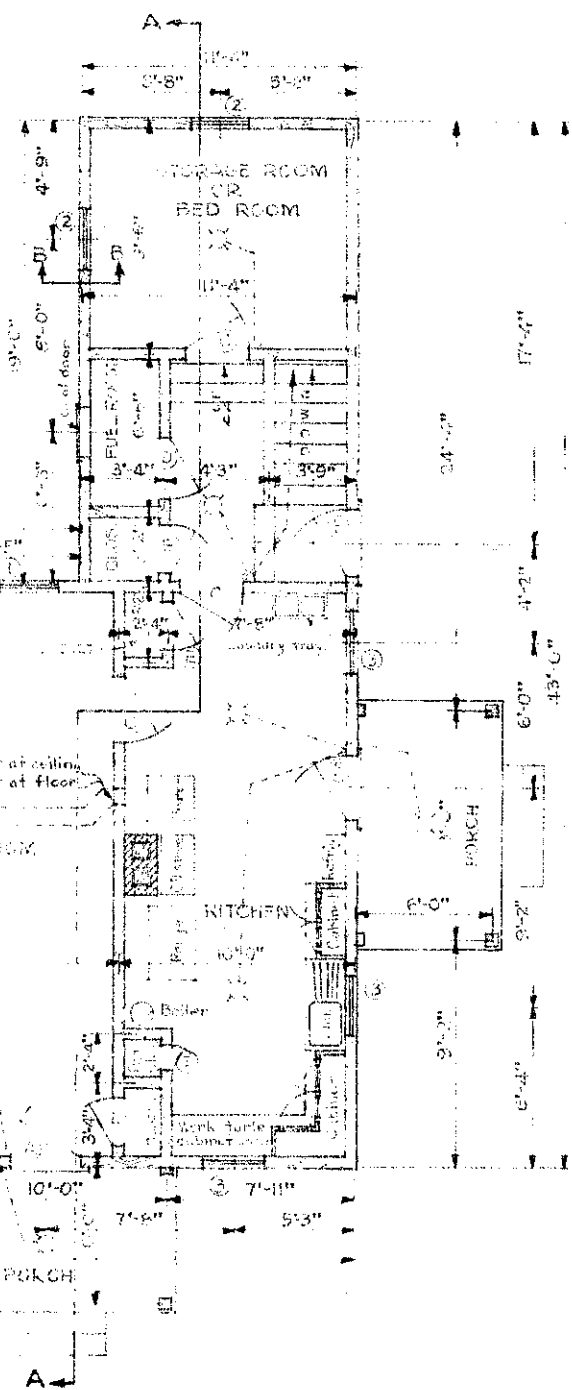


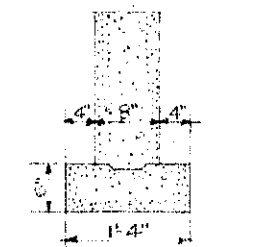
DETAIL OF KITCHEN CABINET
Scale: 1/4" = 1'-0"



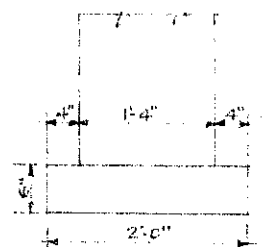
FIRST FLOOR PLAN
Scale: 1/4" = 1'-0"



FOUNDATION PLAN
Scale: 1/4" = 1'-0"



SECTION OF WALL AND PIER FOOTING
Scale: 1" = 1'-0"



ELEVATION OF PIER
Scale: 1" = 1'-0"

DOOR SCHEDULE

- A - 3'-0" X 6'-0" X 1 3/4" 6 lights glass
- B - 2'-6" X 6'-0" X 1 3/4" 6 lights glass
- C - 2'-6" X 6'-0" X 1 3/4" 2 panel wood
- D - 2'-0" X 6'-0" X 1 3/4" 2 panel wood
- E - 2'-0" X 6'-0" X 1 3/4" 2 panel wood
- F - 1'-6" X 6'-0" X 1 3/4" 2 panel wood
- G - 1'-0" X 6'-0" X 1 3/4" 2 panel wood

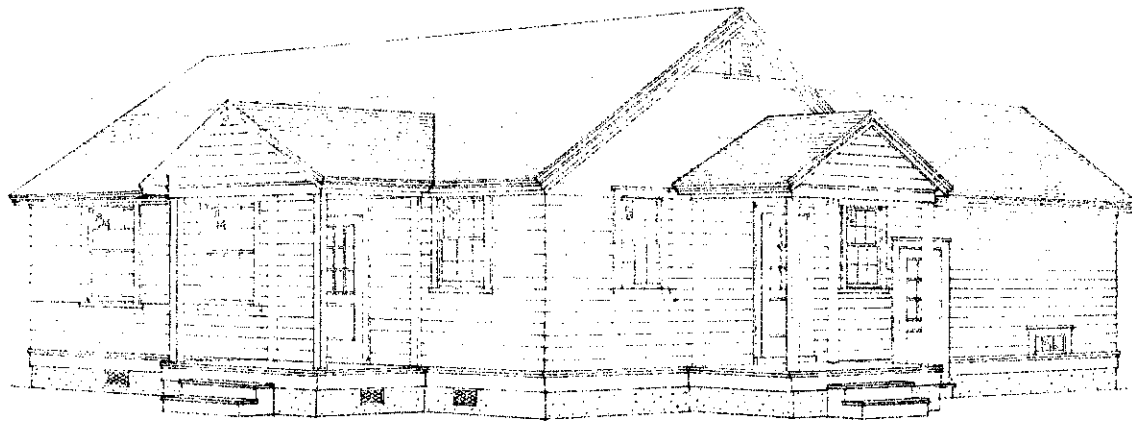
WINDOW SCHEDULE

- 1 - 10 lights 8" X 14" double hung
- 2 - 12 lights 8" X 10" double hung
- 3 - 12 lights 8" X 8" double hung
- 4 - 3 lights 8" X 10" sash

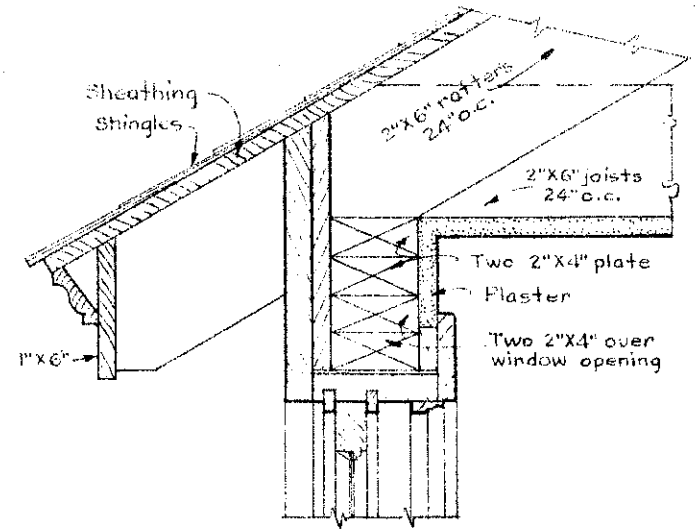
PLAN PREPARED UNDER THE RURAL HOUSING PROJECT - BUREAUS OF HOME ECONOMICS AND AGRICULTURAL ENGINEERING - U.S. DEPARTMENT OF AGRICULTURE AND CIVIL WORKS ADMINISTRATION COOPERATING.

COOPERATIVE EXTENSION WORK IN AGRICULTURE AND HOME ECONOMICS
STATE OF NORTH DAKOTA
NORTH DAKOTA AGRICULTURAL COLLEGE
AND
U.S. DEPT. OF AGRICULTURE COOPERATING.
EXT. AGR'L. ENGINEER - FARGO, N. DAK.

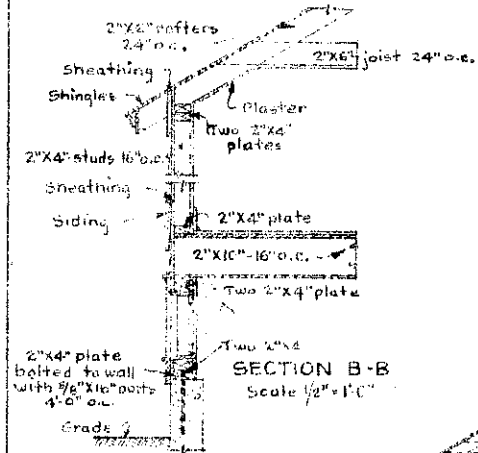
FARM HOUSE



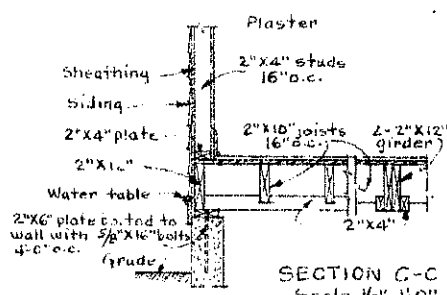
PERSPECTIVE



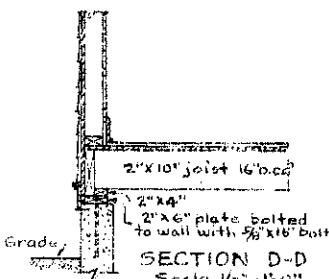
CORNICE & WINDOW HEAD DETAIL
Scale 3" = 1'-0"



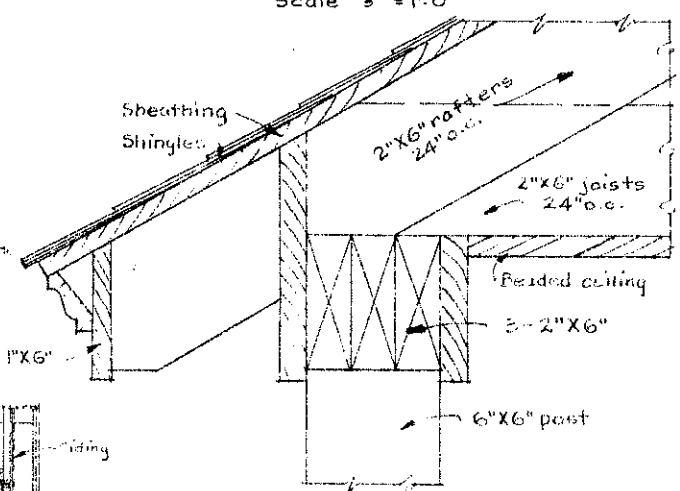
SECTION B-B
Scale 1/2" = 1'-0"



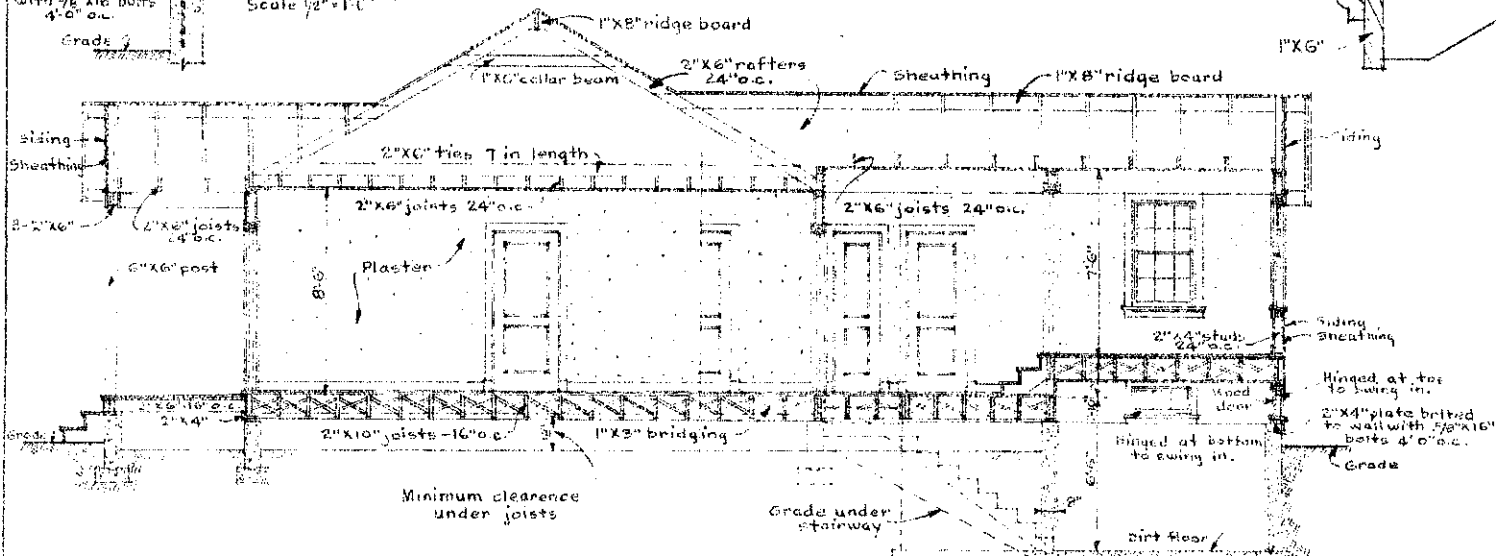
SECTION C-C
Scale 1/2" = 1'-0"



SECTION D-D
Scale 1/2" = 1'-0"



PORCH CORNICE
Scale 3" = 1'-0"



SECTION A-A
Scale 1/4" = 1'-0"

PLAN PREPARED UNDER THE RURAL HOUSING PROJECT - BUREAU OF HOME ECONOMICS AND AGRICULTURAL ENGINEERING - U.S. DEPARTMENT OF AGRICULTURE AND CIVIL WORKS ADMINISTRATION COOPERATING.

COOPERATIVE EXTENSION WORK IN AGRICULTURE AND HOME ECONOMICS
STATE OF NORTH DAKOTA
NORTH DAKOTA AGRICULTURAL COLLEGE
AND
U.S. DEPT. OF AGRICULTURE COOPERATING.
EXT. AGR'L. ENGINEER - FARGO, N. DAK.