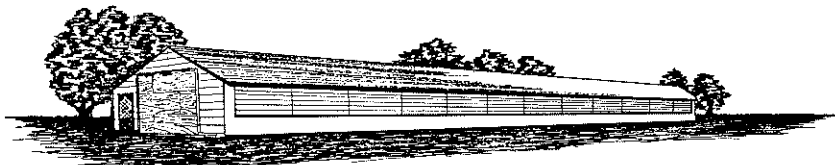
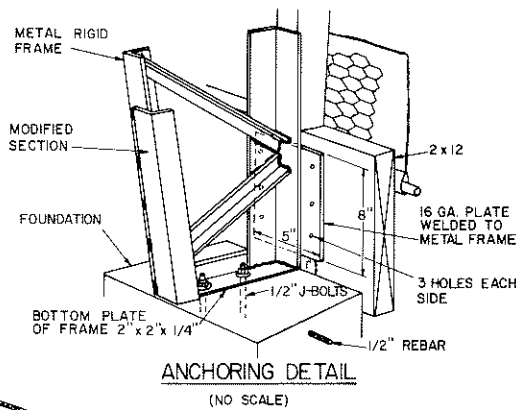


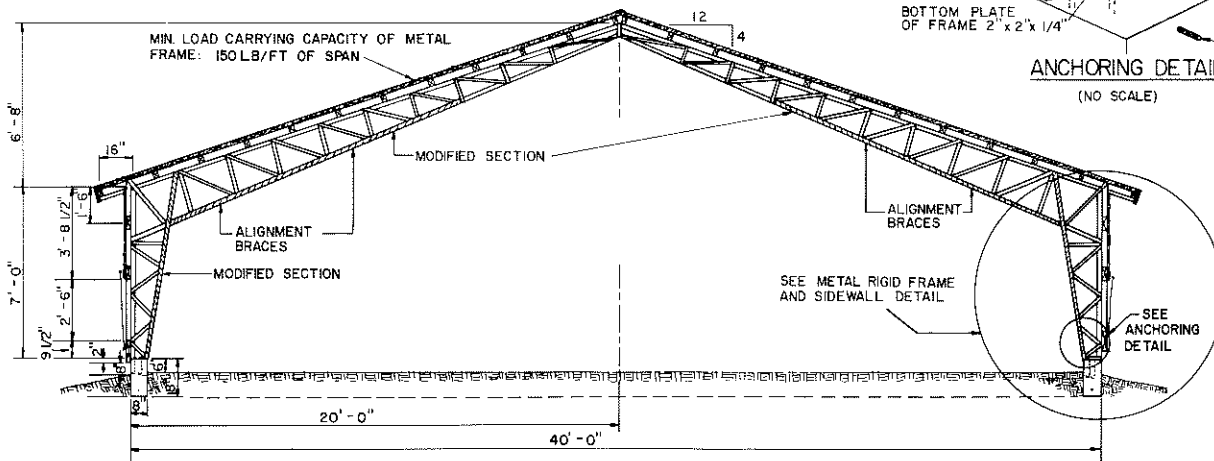
FLOOR PLAN



BROILER HOUSE WITH AUTOMATIC CURTAINS AND FOGGING



NOTE: THIS PLAN DEPICTS THE USE OF A STEEL BUILDING FOR POULTRY HOUSING. IN PRACTICE, THE DETAILS AND ERECTION OF THE STEEL FRAMING SYSTEM WILL VARY AMONG MANUFACTURERS. THIS PLAN SHOULD AID IN VISUALIZING DIFFERENCES BETWEEN STEEL AND THE MORE COMMONLY USED WOOD BUILDINGS. WHEN USING A STEEL FRAME SYSTEM, ORDER A STRUCTURE THAT WILL WITHSTAND LOCAL SNOW AND WIND LOADS. ANCHOR ACCORDING TO MANUFACTURER'S SPECIFICATIONS. SIZE OF PURLINS WILL DEPEND ON TRUSS SPACING AND LOCAL SNOW LOADS - ILLUSTRATED SPACING AND SIZES FOR 30 LBS/FT² TOTAL ROOF LOAD.



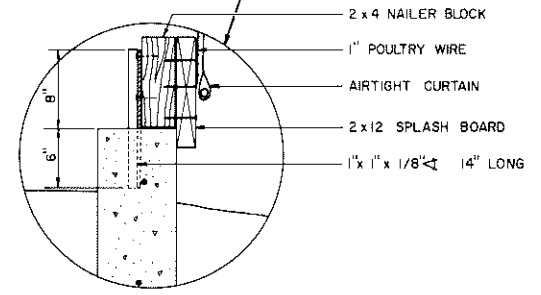
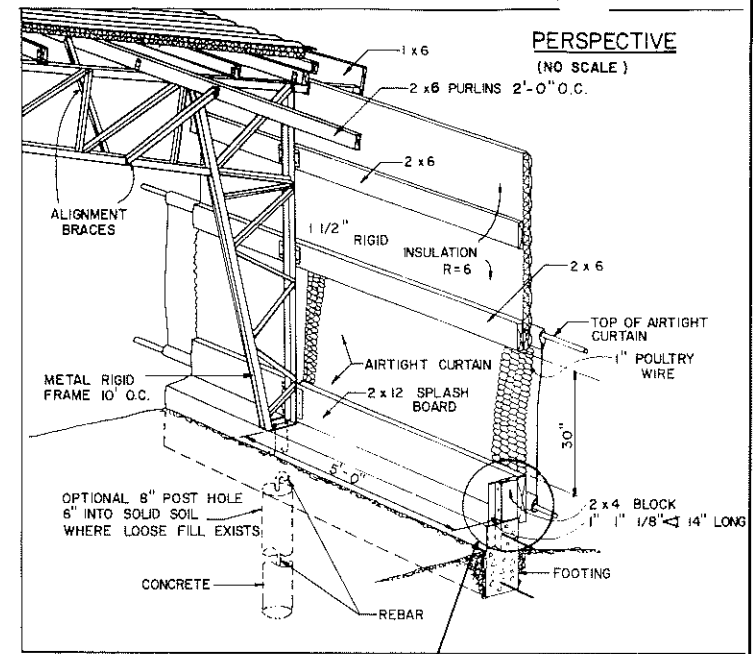
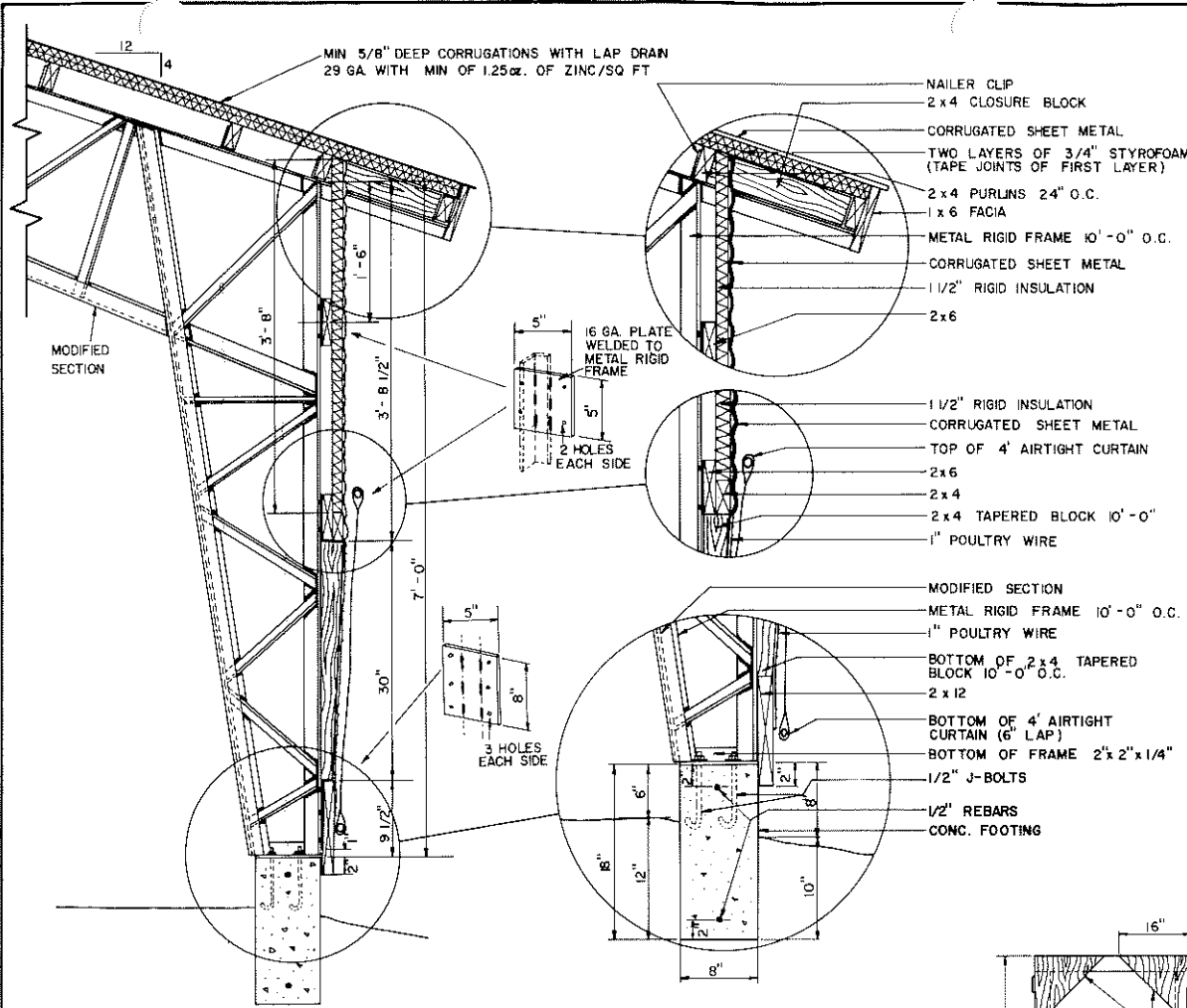
SECTION A-A

COOPERATIVE EXTENSION SERVICE
AGRICULTURE AND HOME ECONOMICS

AND
UNITED STATES DEPARTMENT OF AGRICULTURE COOPERATING

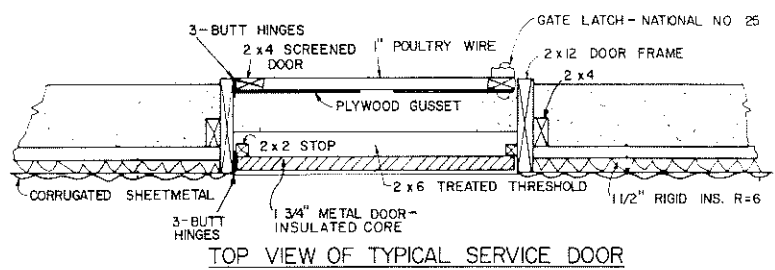
STEEL FRAMED BROILER HOUSE WITH
AUTOMATIC CURTAINS, FOGGERS & CEILING FAN

ARK '87 6390 SHEET 1 OF 6

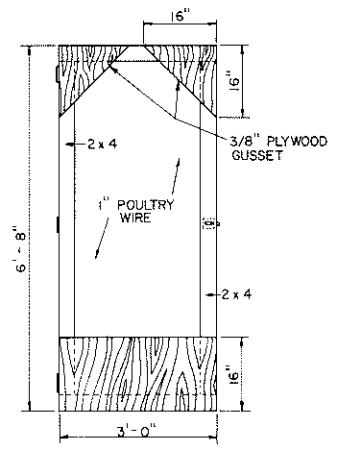


METAL RIGID FRAME AND SIDEWALL DETAILS

FOOTING DETAIL
5'-0" FROM METAL FRAME

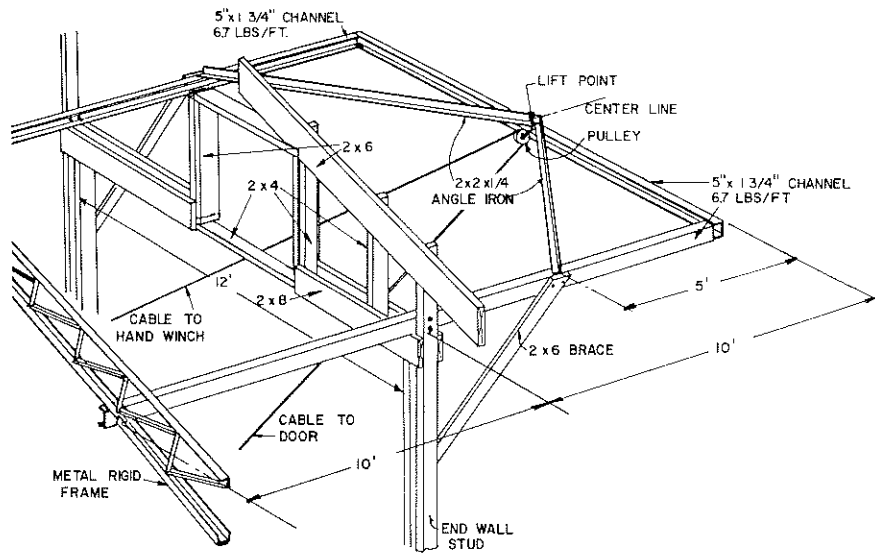


TOP VIEW OF TYPICAL SERVICE DOOR

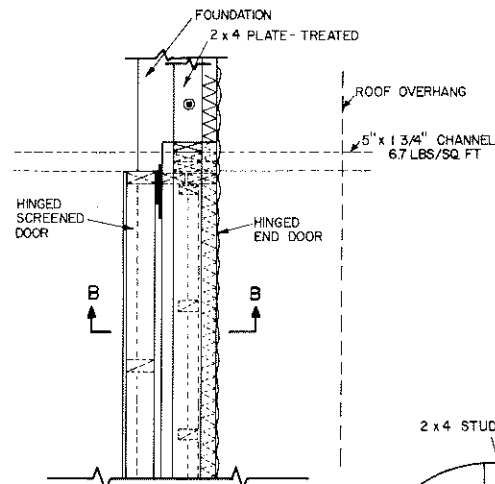


SCREENED DOOR DETAIL

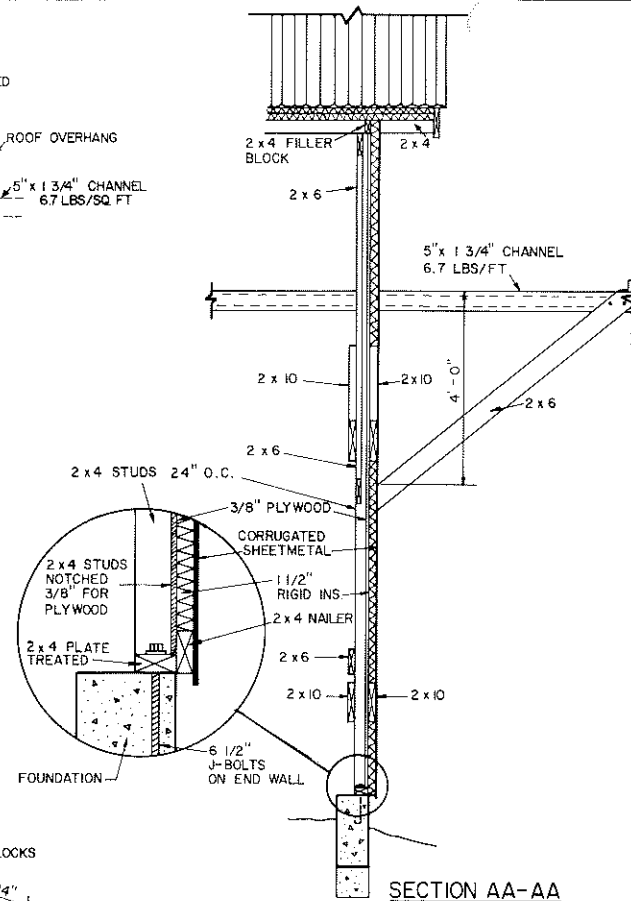
| | | |
|--|------|--------------|
| COOPERATIVE EXTENSION SERVICE AGRICULTURE AND HOME ECONOMICS | | |
| AND UNITED STATES DEPARTMENT OF AGRICULTURE COOPERATING | | |
| STEEL FRAMED BROILER HOUSE WITH AUTOMATIC CURTAINS, FOGGERS & CEILING FAN | | |
| ARK '87 | 6390 | SHEET 2 OF 6 |



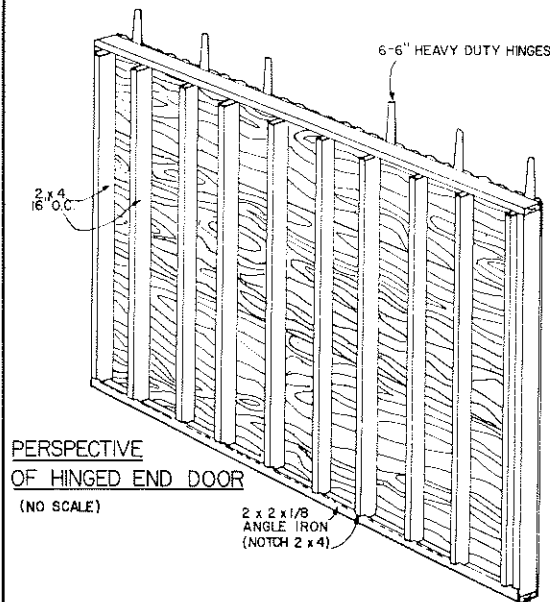
PERSPECTIVE OF DOOR OPENING AND CHANNELS (NO SCALE)



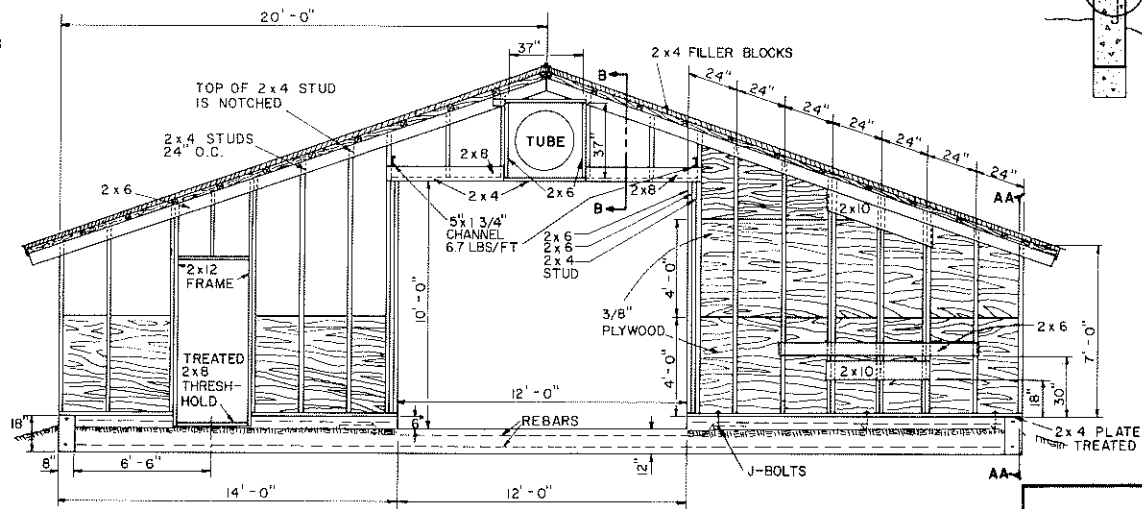
FLOOR PLAN DETAIL AT HINGED END DOOR (NO SCALE)



SECTION AA-AA



PERSPECTIVE OF HINGED END DOOR (NO SCALE)



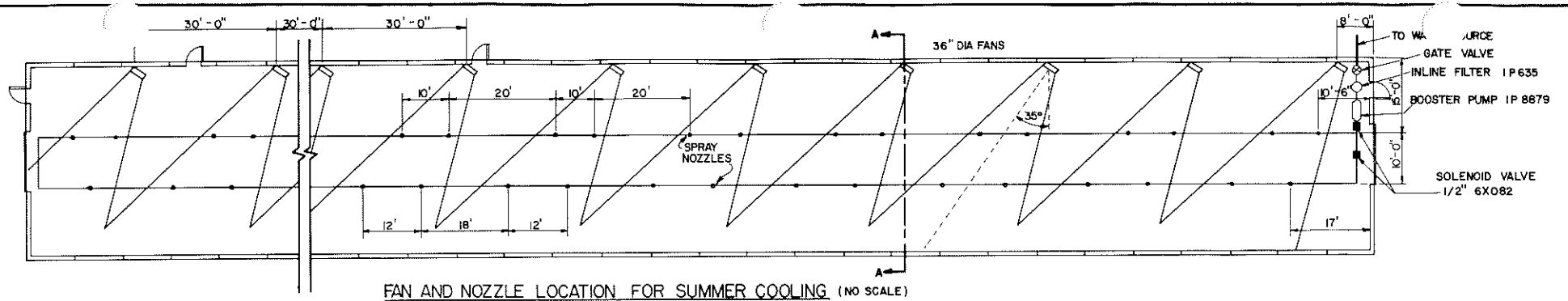
TYPICAL CROSS SECTION
VIEW OF END WALL - INSIDE BUILDING

COOPERATIVE EXTENSION SERVICE
AGRICULTURE AND HOME ECONOMICS

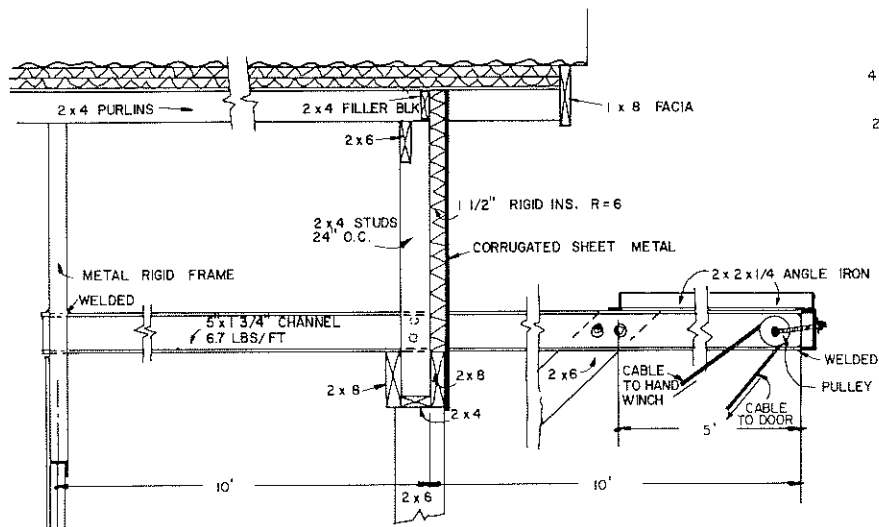
AND
UNITED STATES DEPARTMENT OF AGRICULTURE COOPERATING

STEEL FRAMED BROILER HOUSE WITH
AUTOMATIC CURTAINS, FOGGERS & CEILING FAN

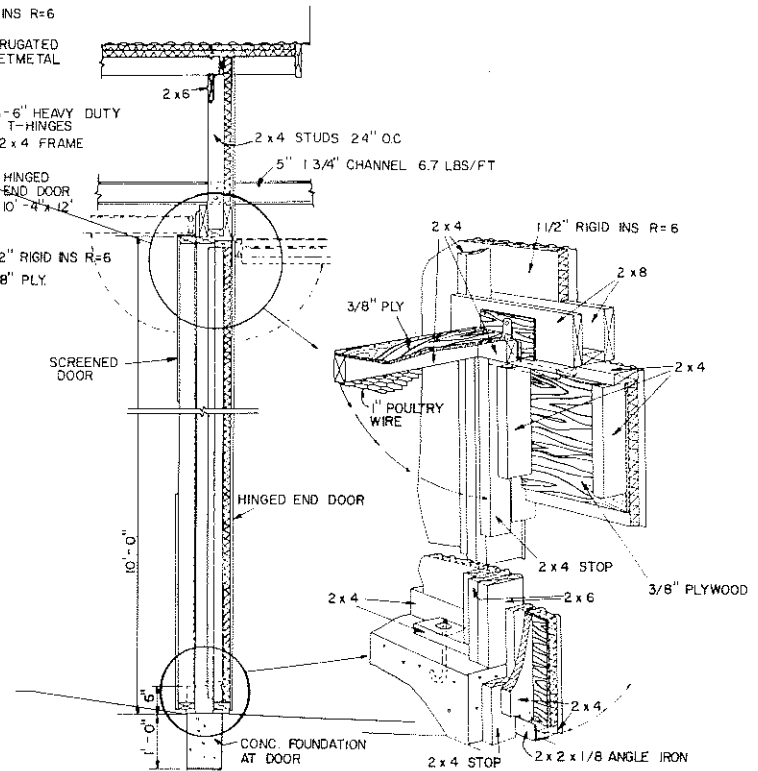
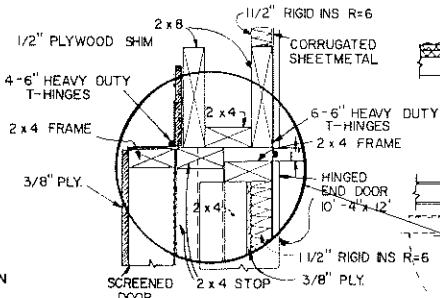
ARK '87 6390 SHEET 3 OF 6



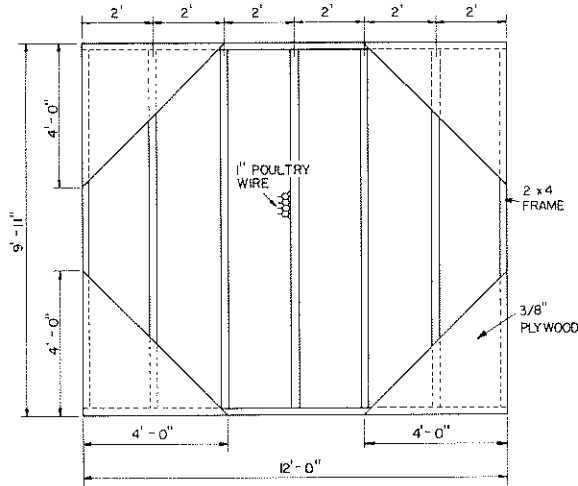
FAN AND NOZZLE LOCATION FOR SUMMER COOLING (NO SCALE)



CROSS SECTION B-B

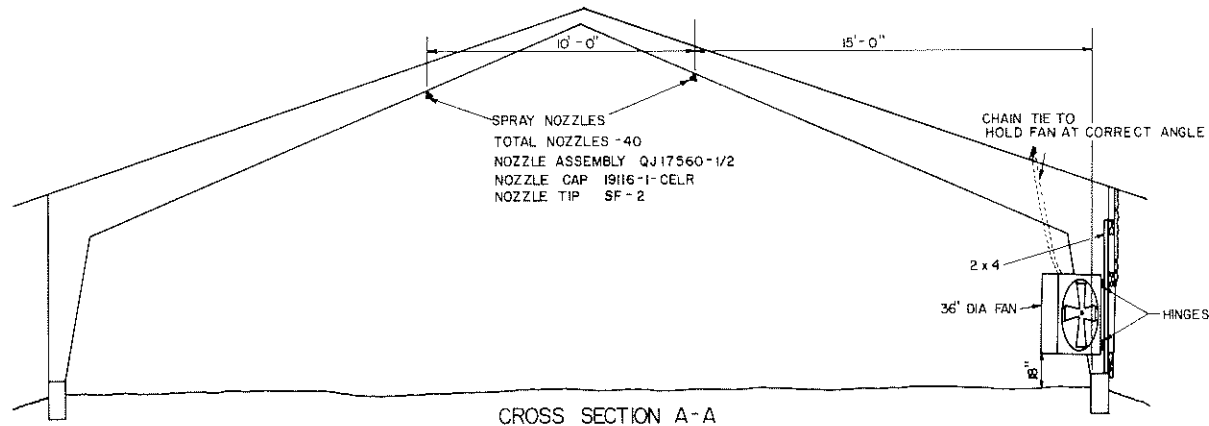
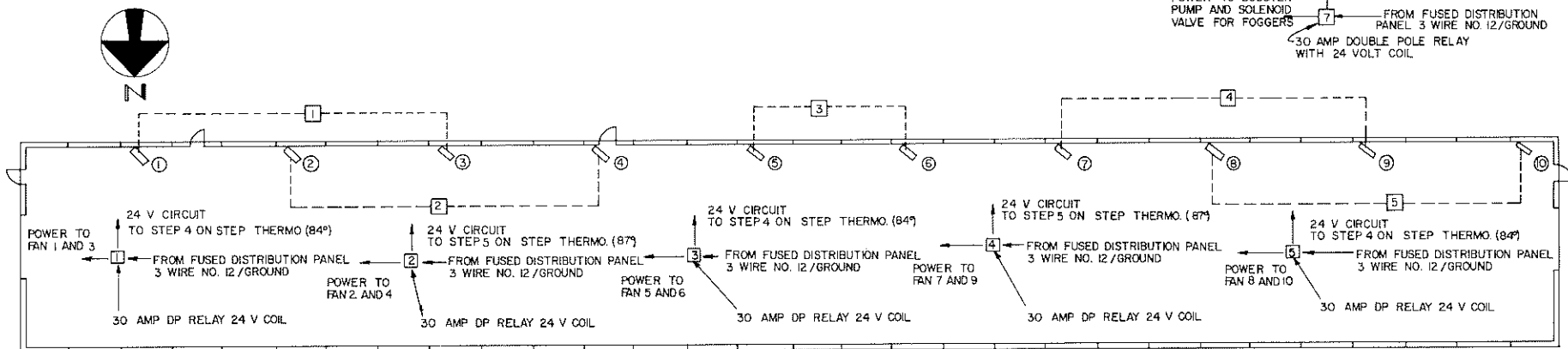
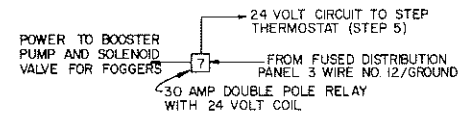
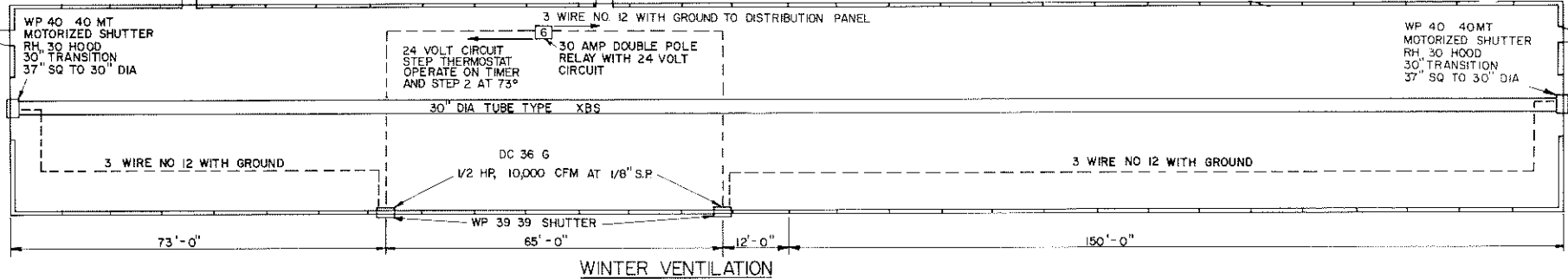


CROSS SECTION B-B



SCREENED DOOR
DETAIL

| | | |
|--|------|--------------|
| COOPERATIVE EXTENSION SERVICE AGRICULTURE AND HOME ECONOMICS | | |
| AND UNITED STATES DEPARTMENT OF AGRICULTURE COOPERATING | | |
| STEEL FRAMED BROILER HOUSE WITH AUTOMATIC CURTAINS, FOGGERS & CEILING FAN | | |
| ARK '87 | 6390 | SHEET 4 OF 6 |



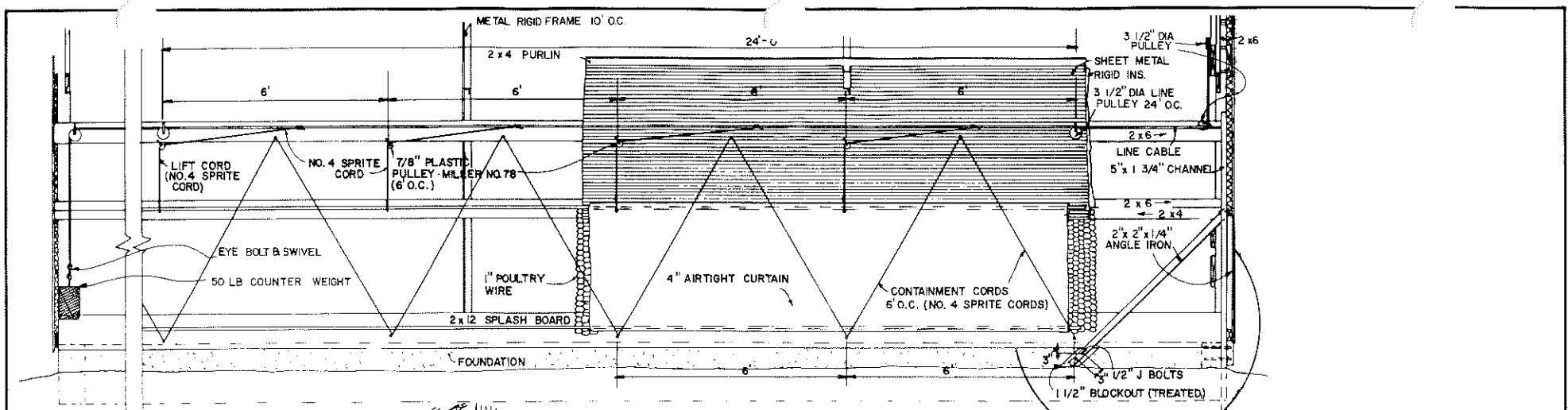
- STEP 1 - SET POINT @ 70° BROODERS OPERATE ANYTIME TEMP. DROPS BELOW SET POINT 10 MIN. CYCLE CLOCK RUNS AT ALL TIMES.
- STEP 2 - 73° WINTER EXHAUST FANS OPERATE CONTINUOUS.
- STEP 3 - 78° CURTAIN OPEN - INSTALL FAN INTERRUPT SWITCH FOR FANS ON CURTAIN CONTROLLER.
- STEP 4 - 84° FIRST SET OF SUMMER FANS OPERATE.
- STEP 5 - 87° (SECOND) SET OF SUMMER FANS OPERATE - ACTIVATE FOGGERS

COOPERATIVE EXTENSION SERVICE
AGRICULTURE AND HOME ECONOMICS

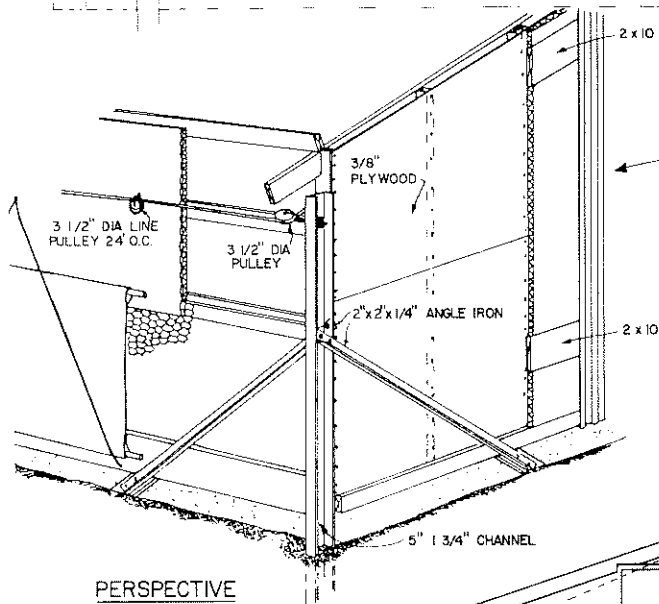
AND
UNITED STATES DEPARTMENT OF AGRICULTURE COOPERATING

STEEL FRAMED BROILER HOUSE WITH
AUTOMATIC CURTAINS, FOGGERS & CEILING FAN

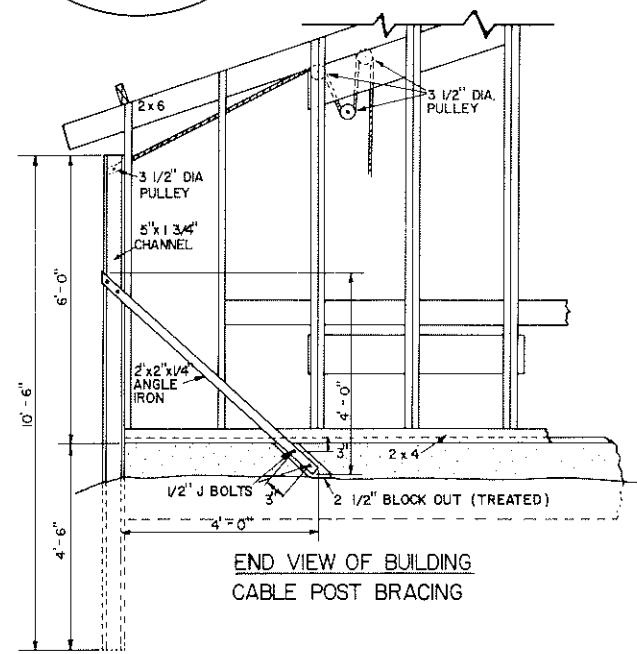
| | | |
|---------|------|--------------|
| ARK '87 | 6390 | SHEET 5 OF 6 |
|---------|------|--------------|



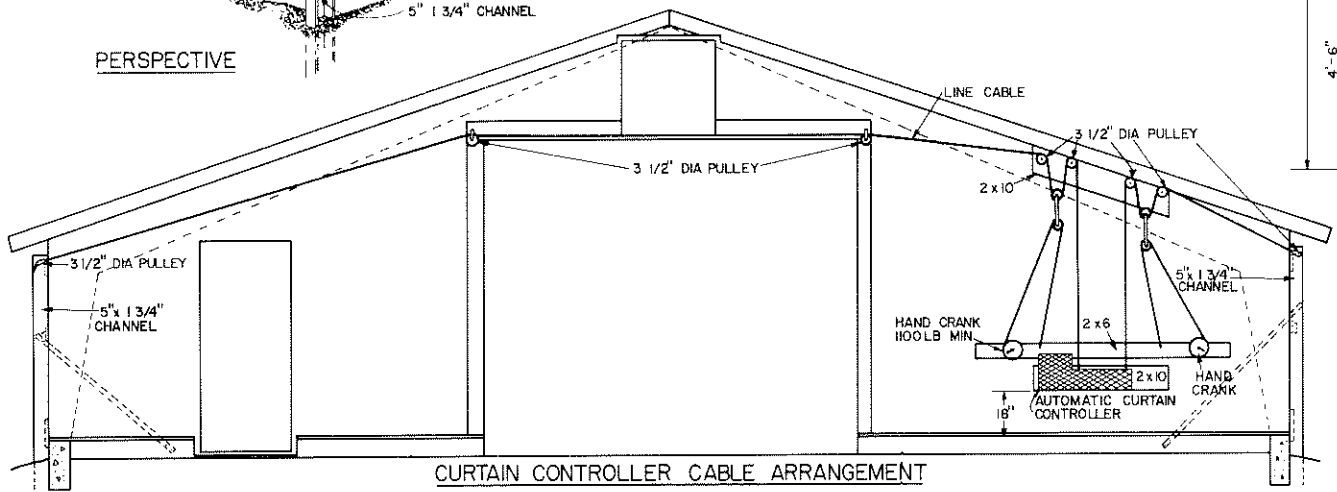
SIDE VIEW OF BUILDING CURTAIN DETAIL



PERSPECTIVE



END VIEW OF BUILDING CABLE POST BRACING



CURTAIN CONTROLLER CABLE ARRANGEMENT

COOPERATIVE EXTENSION SERVICE
 AGRICULTURE AND HOME ECONOMICS

AND
 UNITED STATES DEPARTMENT OF AGRICULTURE COOPERATING

STEEL FRAMED BROILER HOUSE WITH
 AUTOMATIC CURTAINS, FOGGERS & CEILING FAN

| | | |
|---------|------|--------------|
| ARK '87 | 6390 | SHEET 6 OF 6 |
|---------|------|--------------|