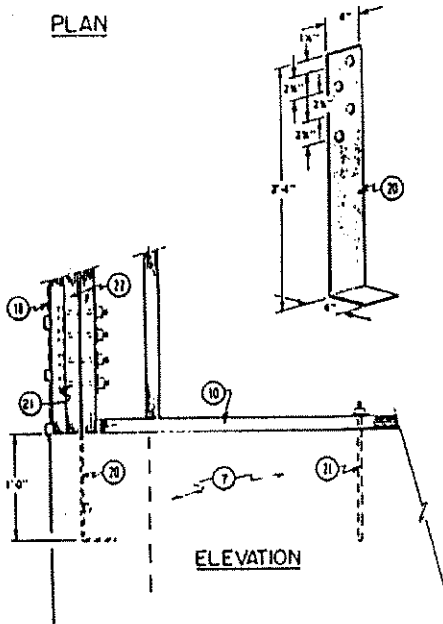
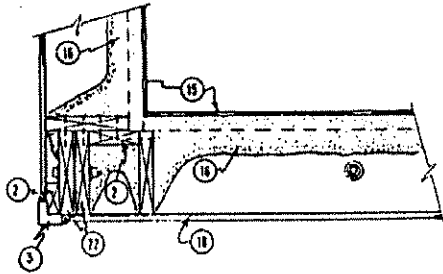
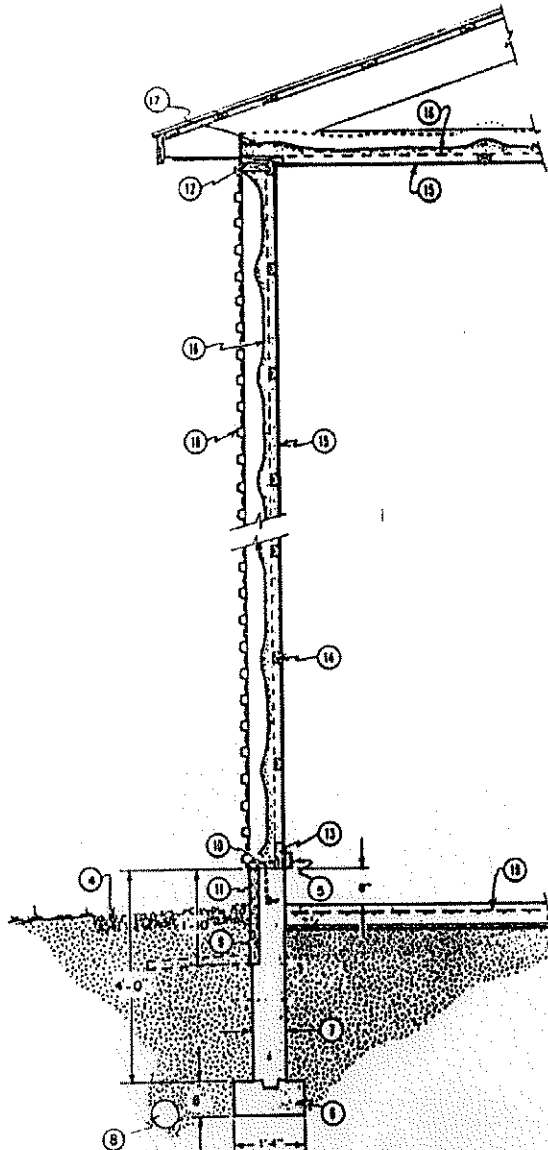


STUD SIZE TABLE

STUD WALL HEIGHT ft.	STUD SIZE f = 1450 psi E = 1,700,000 psi No. 2 Douglas Fir	ENDWALL ANCHOR BOLT SPACING in.
12	2 x 6	48
14	2 x 8	48
16	2 x 8	36
18	2 x 8	32
20	2 x 10	32



SECTION AND ELEVATION OF STRAP ANCHOR AND @ ENDWALL CORNERS AND DOORWAYS



1. Studs @ 4'-0" o.c., recommended stud sizes based on even bldg., 32 psf total roof + ceiling load combined with 30'-0" clear wind gust pressure
2. 2x stud width blocking (see 1), nail to studs
3. Outside corner trim, to match siding
4. 36" x 4" deep coarse gravel splash pad
5. 2 x 6 bumper rail
6. Concrete footing, 2nd keyway, extend below frost line 4'-0" min.
7. Concrete foundation to below frost, 2-no. 6 continuous provide vertical control joints @ 4'-0" o.c.; foundation thickness = stud size + 2"
8. 6" drain tile placed outside of footing as needed.
9. 2" x 1'-10" polystyrene perimeter insulation tack with finishing nails to form; in colder climates increase to 3". Alternatively the insulation can be placed inside of wall.
10. 2" OCA-pressure-treated sill, anchor with 1/2" anchor bolts @ 4'-0" o.c.
11. Mechanical damage resistance facing for face insulation when insulation is placed on the outside of wall.
12. Bottom plate same size as studs, top plate 4" wide, staggered 8'-0" o.c.
13. 2 x 6 OCA-pressure-treated base strapping, 2-3" galv. spiral nails to each stud and sill
14. 2 x 3 horizontal strapping @ 2'-0" o.c.
15. 1/2" select sheathing fir plywood, face grain vertical; galv. fasteners; plywood joints spaced 1/8"
16. R-11 insulation or better in walls and R-20 insulation in ceiling. Vapor barrier to be placed toward the outside.
17. Adequately anchor roof truss to top plate.
18. Galv. steel exterior siding, screw beside ribs
19. 3" concrete floor with 6x6, 6ga. welded wire mesh; 1" rigid insulation on compacted sand fill
20. 1/4" steel anchor strap, drill for 3/8" bolts; horizontal rebars. Alternative commercial strap, connectors are available.
21. On all sides use 1/2" x 1'-0" anchor bolts, @ spacing
22. 2" stud drilled for bolts.

COOPERATIVE EXTENSION SERVICE
 AGRICULTURE AND HOME ECONOMICS

UNITED STATES DEPARTMENT OF AGRICULTURE COOPERATING

REFRIGERATED VEGETABLE STORAGE WALL

CAN '87 638 SHEET 1 OF 1

DRAWING NOT TO SCALE