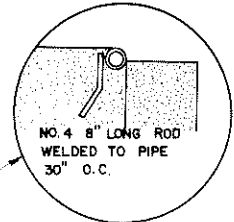
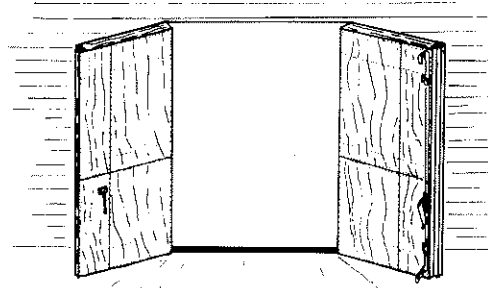


SECTION B-B



DOOR SILL DETAIL



PERSPECTIVE

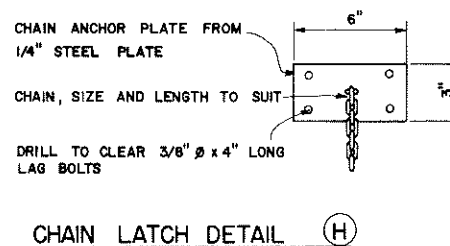
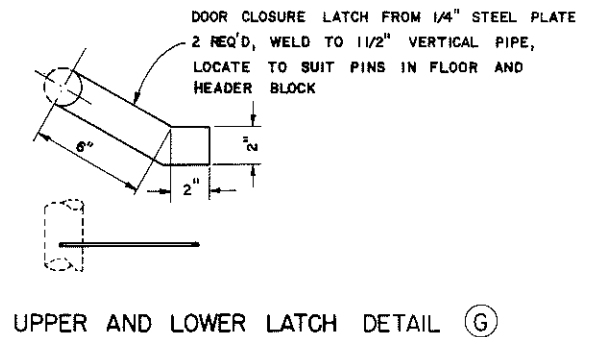
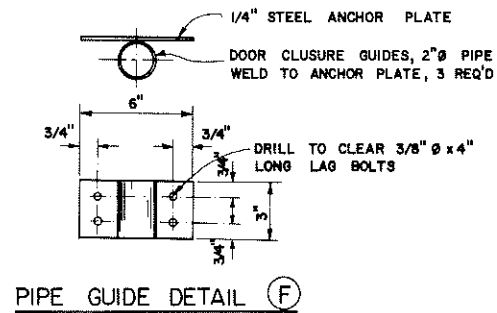
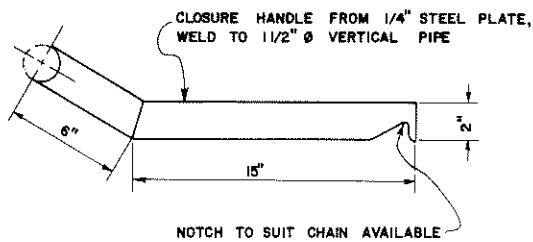
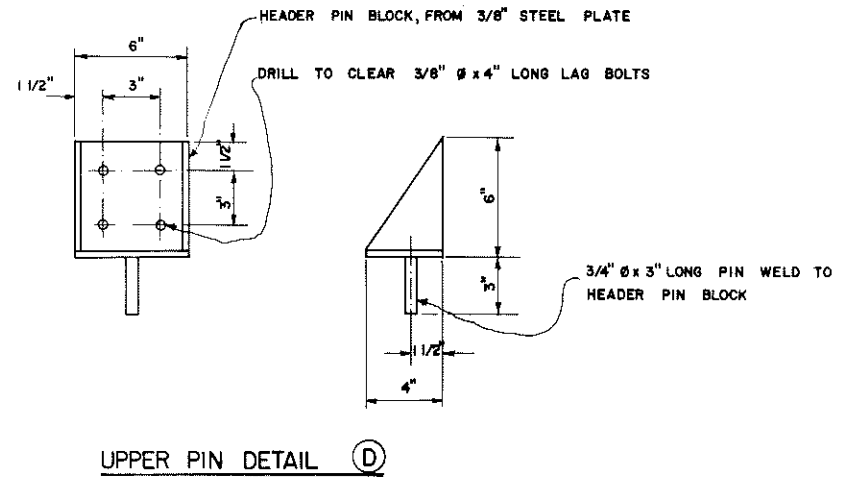
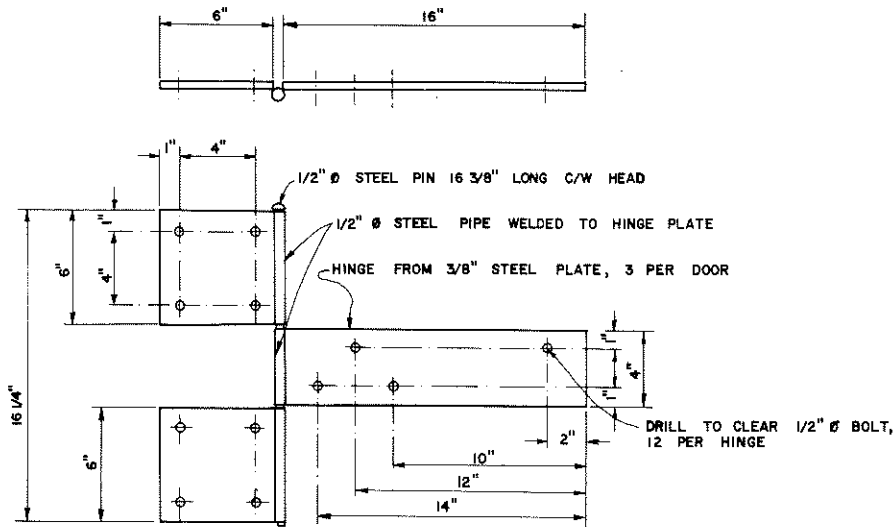
COOPERATIVE EXTENSION SERVICE
 AGRICULTURE AND HOME ECONOMICS

AND
 UNITED STATES DEPARTMENT OF AGRICULTURE COOPERATING

INSULATED STORAGE DOORS

CAN '86	6383	SHEET 1 OF 2
---------	------	--------------

DRAWING NOT TO SCALE



COOPERATIVE EXTENSION SERVICE
 AGRICULTURE AND HOME ECONOMICS

AND
 UNITED STATES DEPARTMENT OF AGRICULTURE COOPERATING

INSULATED STORAGE DOORS

CAN '86	6383	SHEET 2 OF 2
---------	------	--------------

DRAWING NOT TO SCALE