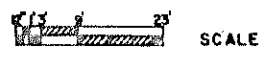
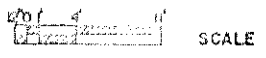


CATTLE & HAY BARN
 CAPACITY 24 TO 32 HEAD
 (SEE PLAN NO. 5794 FOR INTERIOR DETAIL)

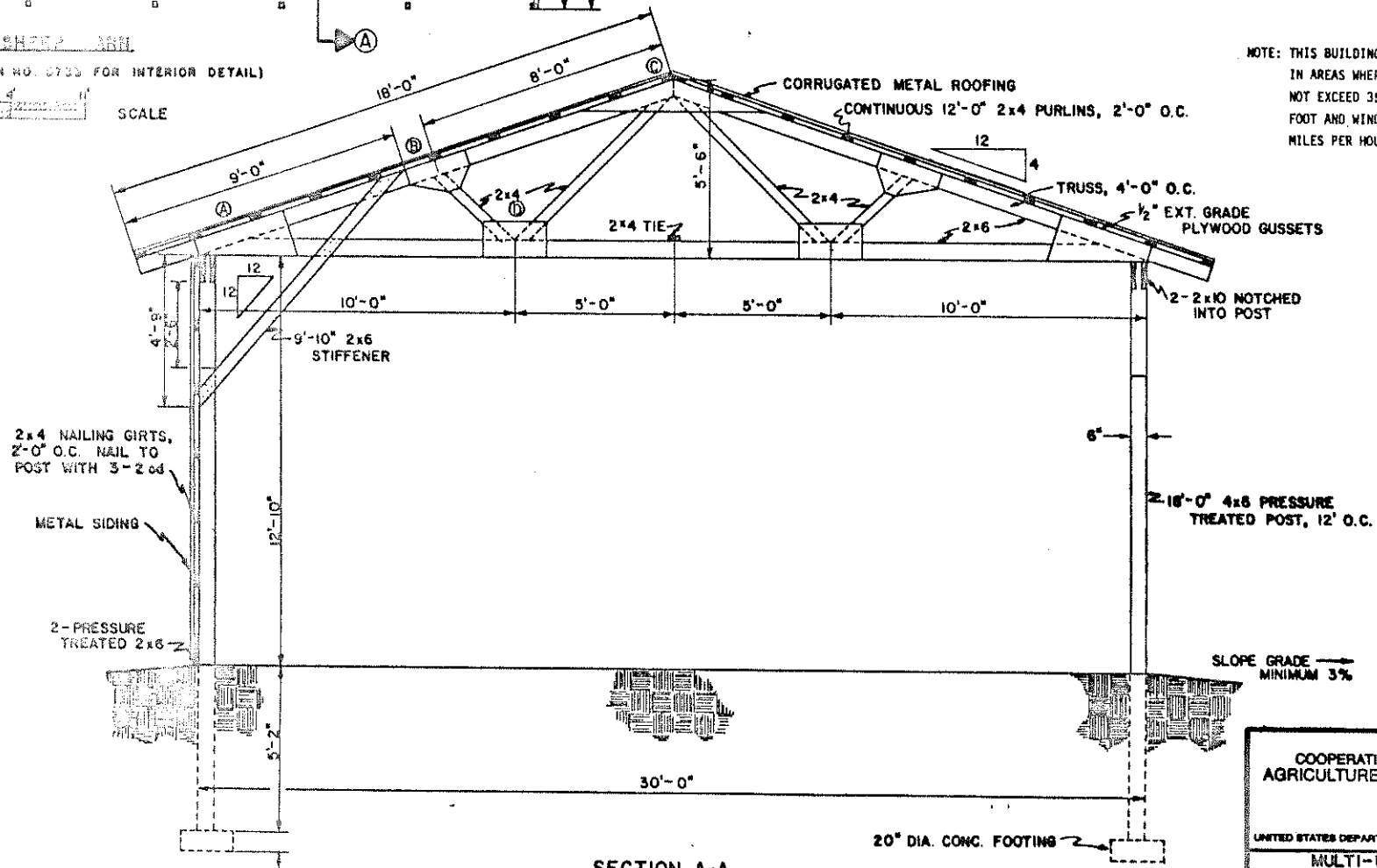
MACHINERY STORAGE
 (SEE PLAN NO. 5734 FOR INTERIOR DETAIL)



SHEEP BARN
 (SEE PLAN NO. 5733 FOR INTERIOR DETAIL)



NOTE: THIS BUILDING IS DESIGNED FOR USE IN AREAS WHERE THE SNOW LOAD DOES NOT EXCEED 35 POUNDS PER SQUARE FOOT AND WINDS ARE NOT ABOVE 80 MILES PER HOUR.



SECTION A-A

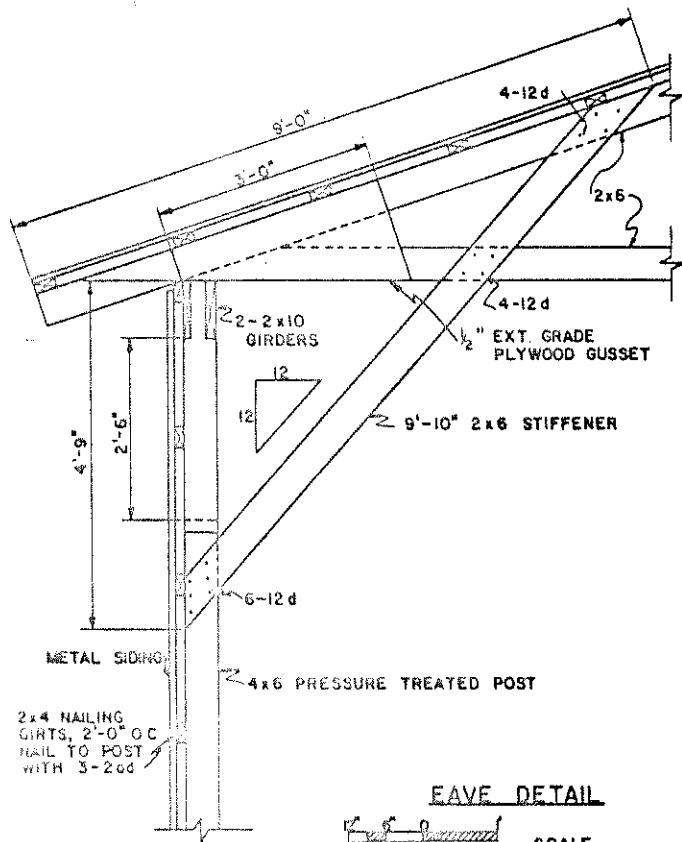


COOPERATIVE EXTENSION SERVICE
 AGRICULTURE AND HOME ECONOMICS

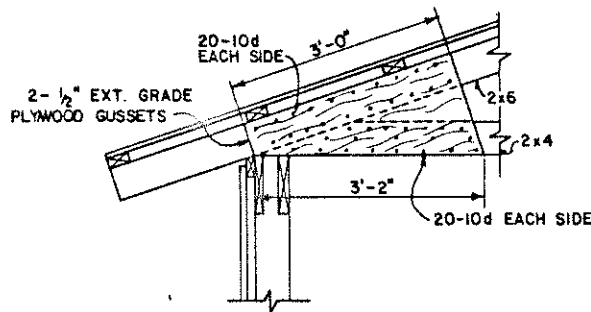
AND
 UNITED STATES DEPARTMENT OF AGRICULTURE COOPERATING

MULTI-USE POLE BARN
 FOR HEAVY SNOW AREAS

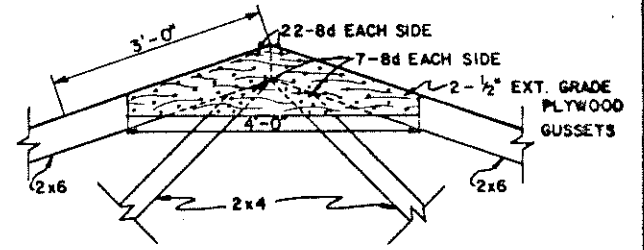
USDA '84	6362	SHEET 1 OF 3
----------	------	--------------



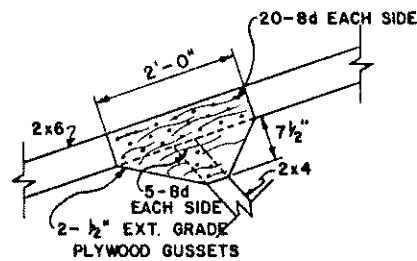
EAVE DETAIL



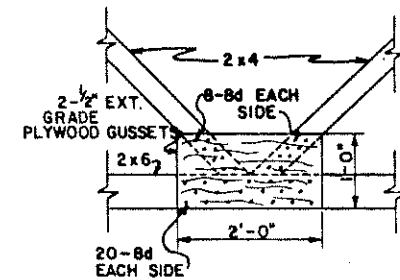
(A)



(C)

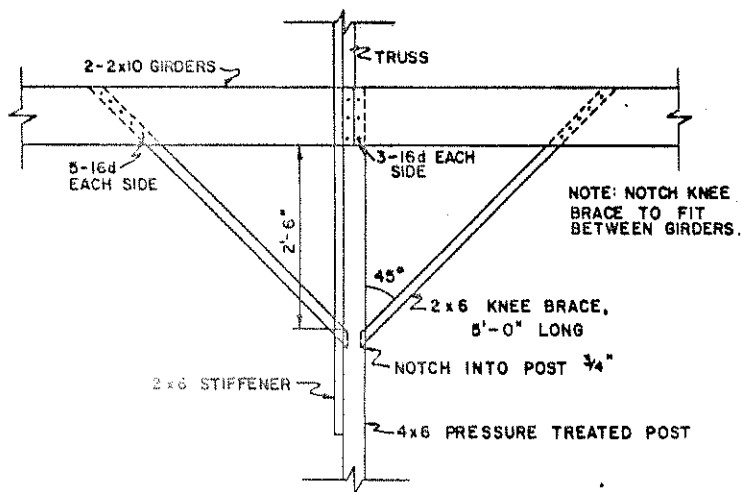


(B)

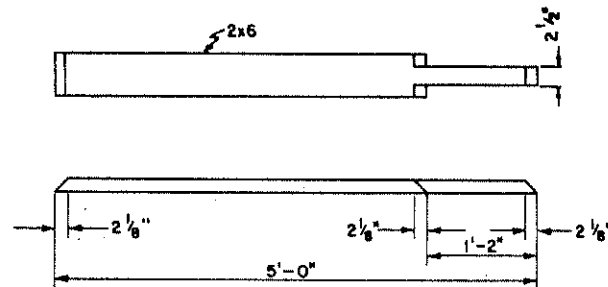
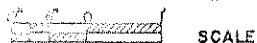


(D)

GUSSET DETAILS



KNEE BRACE DETAIL



KNEE BRACE CUTTING DIAGRAM

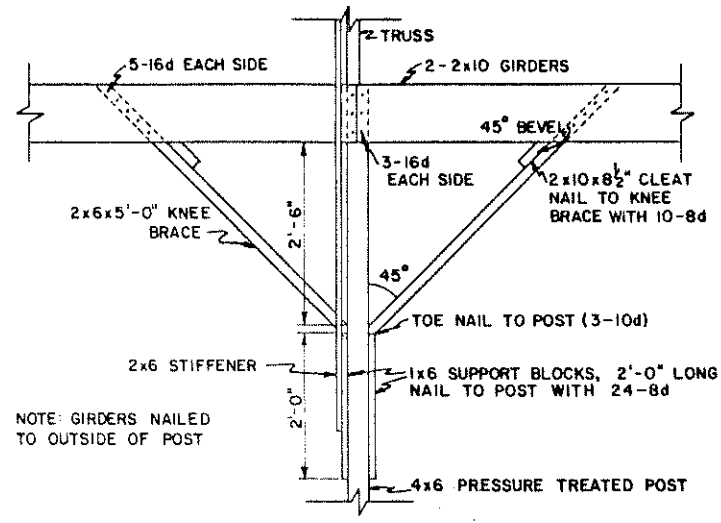


COOPERATIVE EXTENSION SERVICE
AGRICULTURE AND HOME ECONOMICS

AND
UNITED STATES DEPARTMENT OF AGRICULTURE COOPERATING

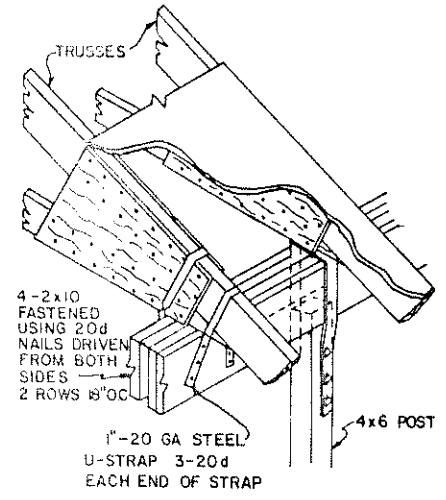
MULTI-USE POLE BARN
FOR HEAVY SNOW AREAS

USDA '84 6362 SHEET 2 OF 3

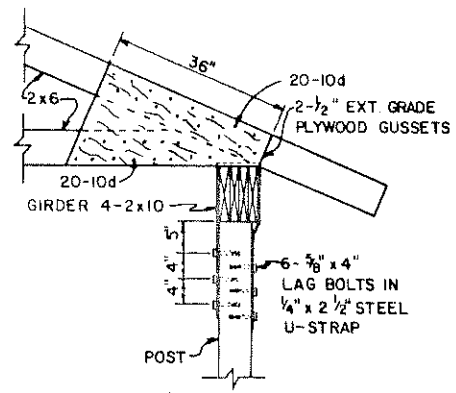


NOTE: GIRDERS NAILED TO OUTSIDE OF POST

KNEE BRACES



ISOMETRIC



EAVE DETAIL

ALTERNATIVE DETAILS



CONSTRUCTION WITHOUT KNEE BRACES

COOPERATIVE EXTENSION SERVICE AGRICULTURE AND HOME ECONOMICS		
AND UNITED STATES DEPARTMENT OF AGRICULTURE COOPERATING		
MULTI-USE POLE BARN FOR HEAVY SNOW AREAS		
USDA '84	6362	SHEET 3 OF 3