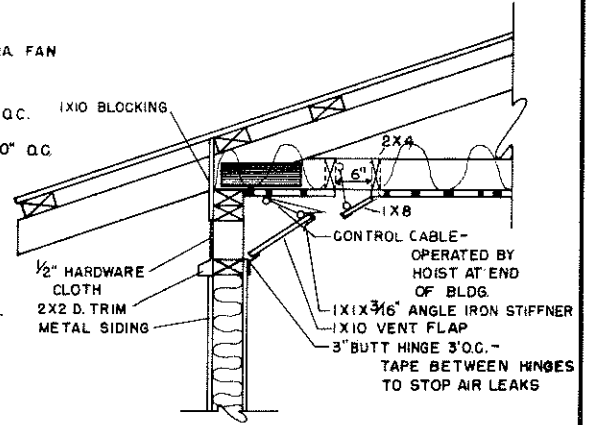
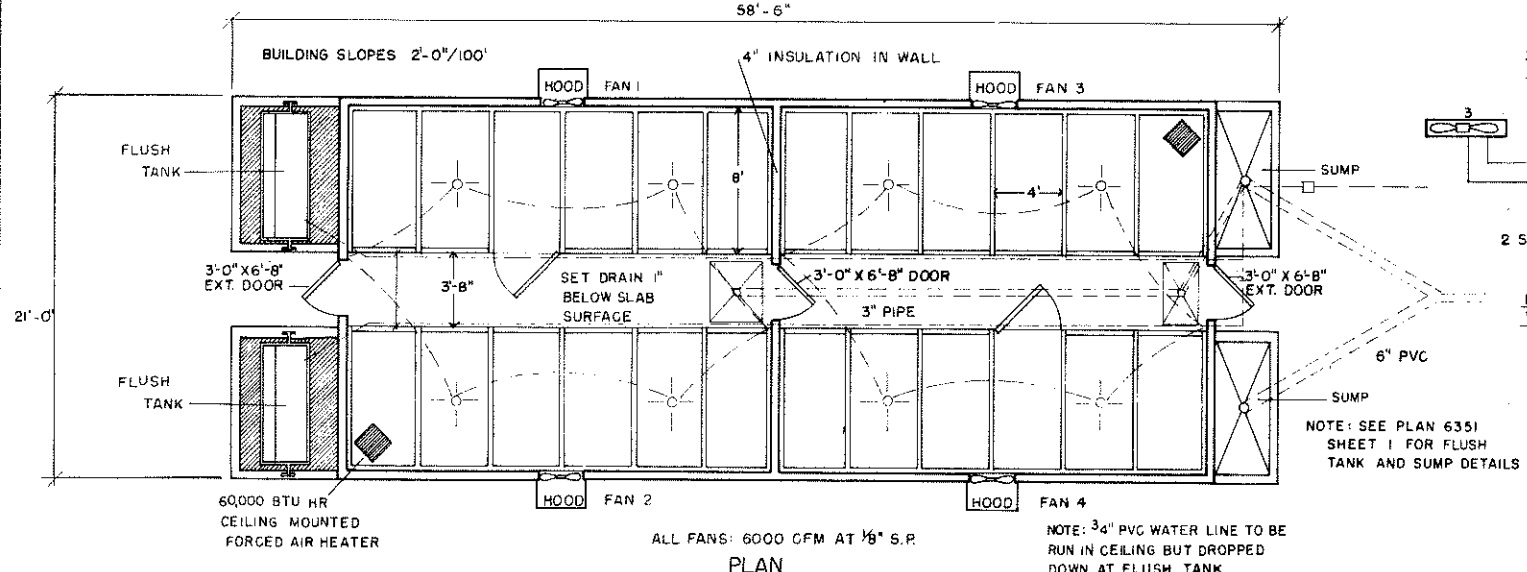
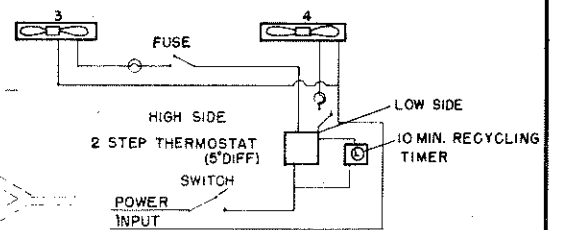
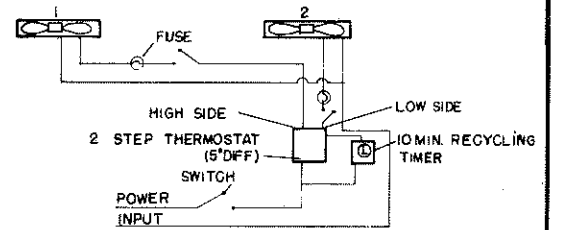


**HOT WEATHER**  
 FANS 1 & 3 CONTROLLED BY LOW SIDE OF 5" DIFFERENTIAL STEP THERMOSTAT, FANS 2 & 4 CONTROLLED BY HIGH SIDE

**COLD WEATHER**  
 USE TIME CLOCK TO OPERATE FANS 1 & 3 APPROX. 20% OF TIME, (2 MIN. IN 10) FOR MOISTURE REMOVAL AND TO MAINTAIN HUMIDITY AT 55-70% IN BUILDING. MAINTAIN TEMPERATURE AT 80°F



**CROSS SECTION**  
 0" 6" 0" 1" 7" SCALE



NOTE: SEE PLAN 6351 SHEET 1 FOR FLUSH TANK AND SUMP DETAILS

NOTE: 3/4" PVC WATER LINE TO BE RUN IN CEILING BUT DROPPED DOWN AT FLUSH TANK

**PLAN**  
 0" 2" 0" 2" 4" 7" SCALE

COOPERATIVE EXTENSION WORK IN AGRICULTURE AND HOME ECONOMICS		
AND UNITED STATES DEPARTMENT OF AGRICULTURE COOPERATING		
CAGE NURSERY - SINGLE DECK		
AL '83	EX. 6353	SHEET 1 OF 1