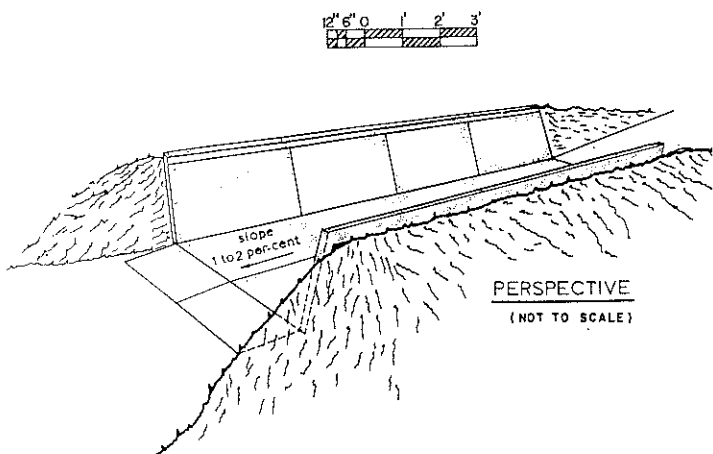
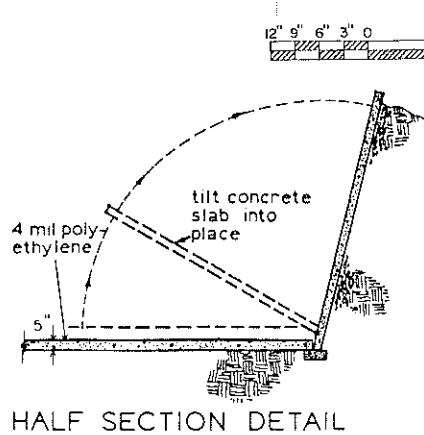


CROSS SECTION

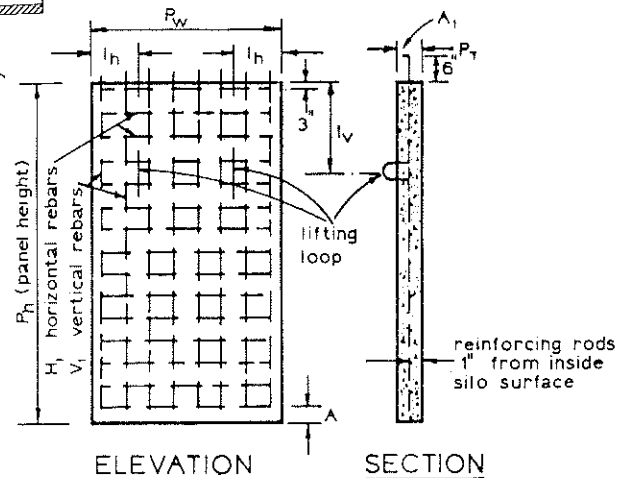


PERSPECTIVE  
(NOT TO SCALE)



HALF SECTION DETAIL

SCALE 1/4" = 1'-0"



ELEVATION

SECTION

BUNKER SILO CAPACITIES IN  
TONS/FOOT OF LENGTH

depth	width						
	20'	30'	40'	50'	60'	70'	80'
8'	35	5	6.5	8.1	10.0	11.3	13.0
10'	45	6.2	8.4	10.2	12.2	14.2	16.2
12'	55	7.5	10.0	12.3	14.6	17.0	20.0
14'	66	8.7	11.5	14.3	17.0	20.0	22.7
16'	75	10.0	13.1	16.3	20.0	22.7	26.0
18'	88	11.1	14.7	18.3	22.0	27.6	29.1

NOTES

- Capacity is based on 40 pounds per cubic foot.
- A daily use rate of 4" of silage is recommended in warm weather to keep silage fresh.
- The aggregate should contain 40% sand, 60% gravel; and not more than 6 gallons of water per sack of cement.
- Set grade so water will drain away from silo.

PANEL HT.	DIMENSION						WT.
	R <sub>w</sub>	P <sub>T</sub>	A	l <sub>h</sub>	l <sub>v</sub>		
8'-0"	7'-11"	3 1/2"	3"	1'-6"	2'-6"	2600	
10'-0"	7'-11"	3 1/2"	3"	1'-6"	3'-0"	3200	
12'-0"	7'-11"	5 1/2"	3"	1'-6"	3'-6"	6100	
14'-0"	7'-11"	5 1/2"	3"	1'-6"	4'-0"	7200	

	REINFORCEMENT											
	8 FOOT			10 FOOT			12 FOOT			14 FOOT		
	shape	no.	size	lgth	shape	no.	size	lgth	shape	no.	size	lgth
H <sub>v</sub>	—	9	1/2"	7'6"	—	11	1/2"	7'6"	—	13	1/2"	7'6"
V <sub>v</sub>	—	8	1/2"	7'6"	—	8	1/2"	9'6"	—	8	1/2"	11'6"
A <sub>1</sub>	—	2	1/2"	2'6"	—	2	1/2"	2'6"	—	2	1/2"	2'6"

COOPERATIVE EXTENSION SERVICE  
AGRICULTURE AND HOME ECONOMICS

AND  
UNITED STATES DEPARTMENT OF AGRICULTURE COOPERATING

CONCRETE TRENCH SILO

SC 81 6347 SHEET 1 OF 1

REV 85