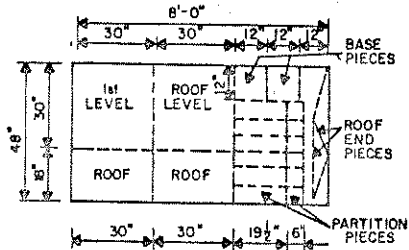
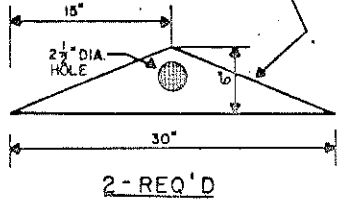
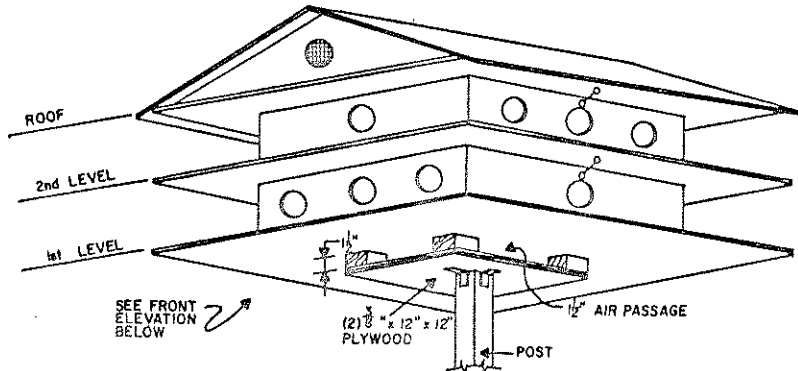


ROOF DETAILS



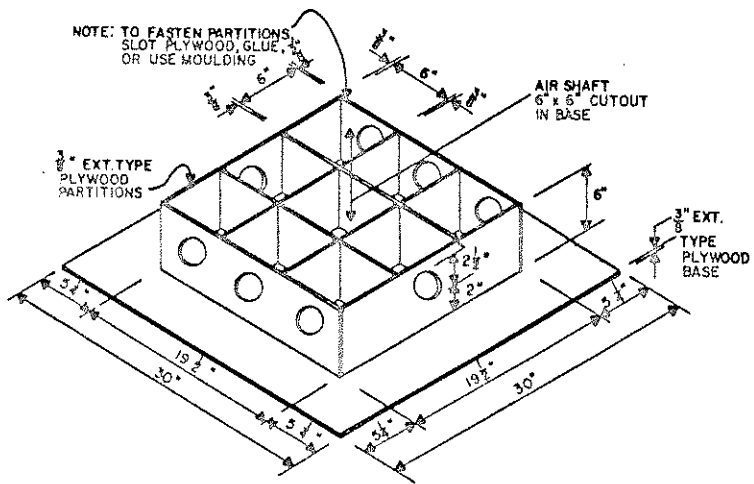
PLYWOOD CUTTING DIAGRAM FOR ONE LEVEL BIRDHOUSE



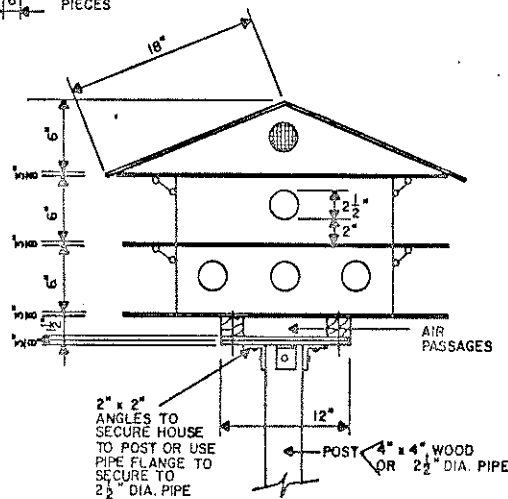
VIEW OF TWO LEVEL BIRDHOUSE

0" 4" 8" 12" 15"
UNLESS OTHERWISE NOTED

NOTE: TO FASTEN PARTITIONS, SLOT PLYWOOD, GLUE, OR USE MOULDING

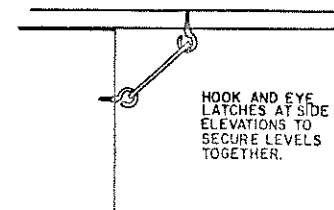


DETAILS OF ONE LEVEL



NOTE: 1. LOCATE NEAR AREA NEEDING INSECT CONTROL.
2. HEIGHT ABOVE GROUND IS 15'-20'

FRONT ELEVATION



DETAIL FOR LATCHES

COOPERATIVE EXTENSION WORK IN AGRICULTURE AND HOME ECONOMICS

AND UNITED STATES DEPARTMENT OF AGRICULTURE COOPERATING

PURPLE MARTIN BIRDHOUSE

NJ '69 EX. 6344 SHEET 1 OF 1