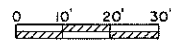
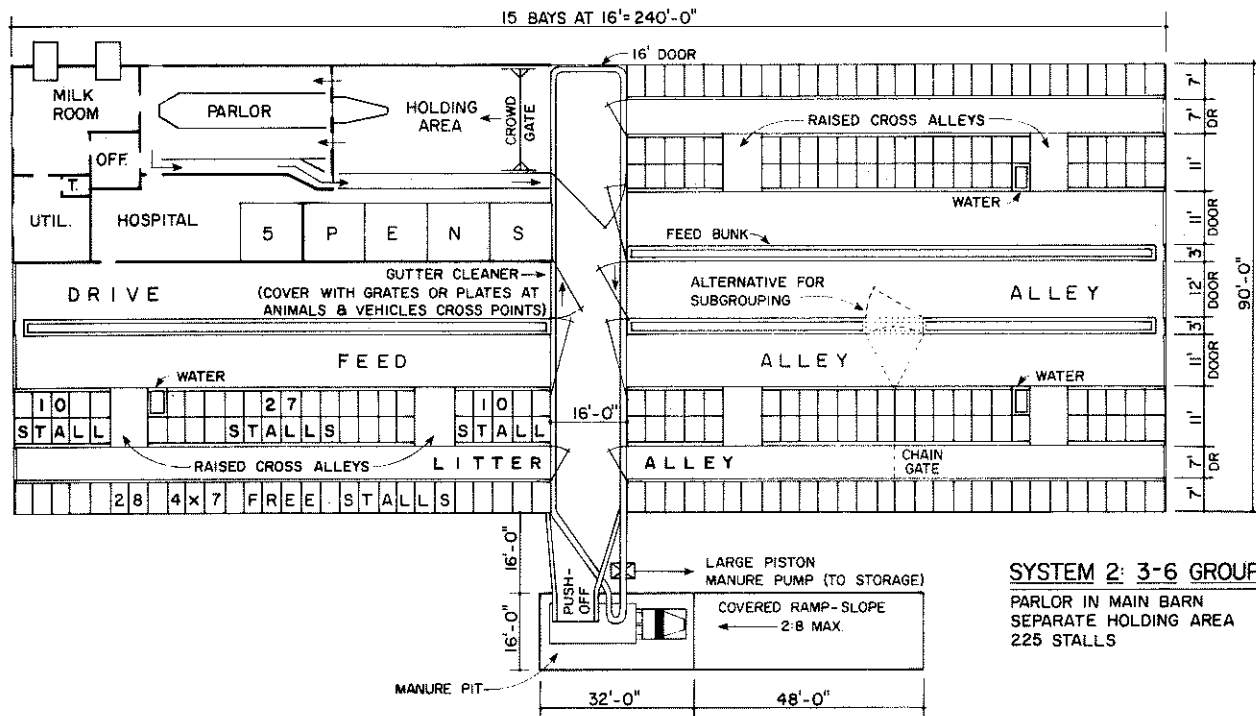
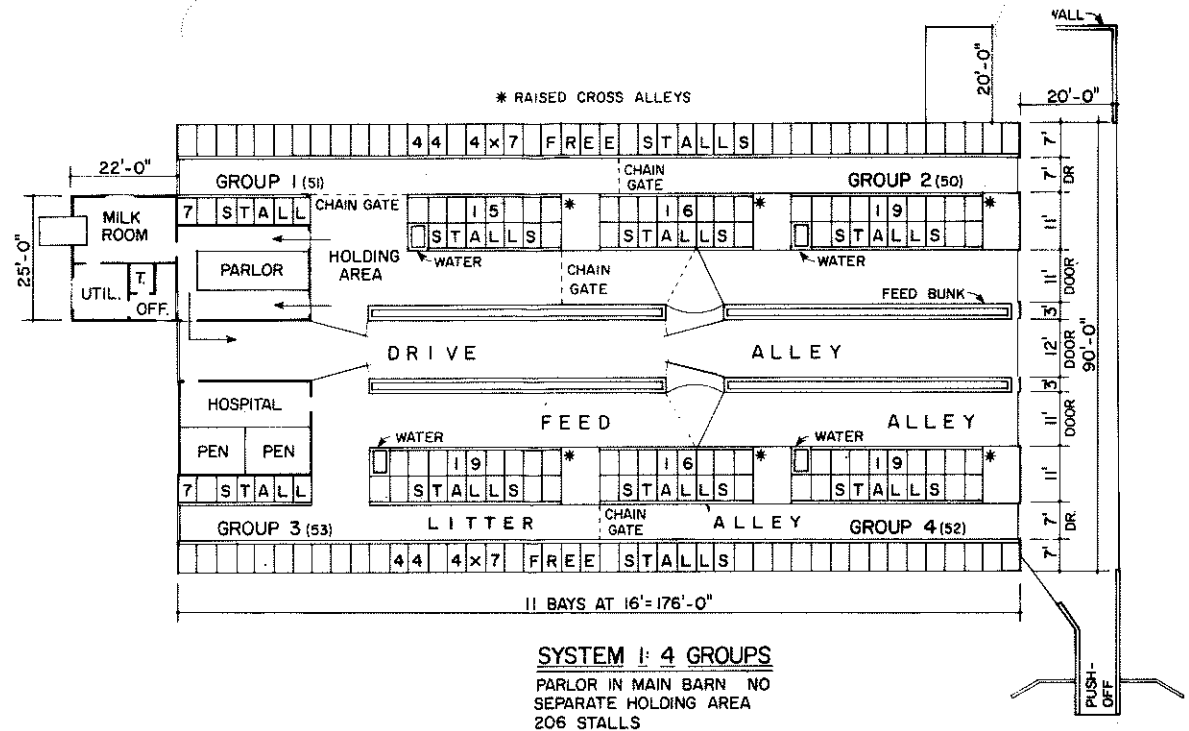


THIS SET OF PLANS SHOWS THREE ARRANGEMENTS FOR USING FREE STALL HOUSING IN A CONFINEMENT SYSTEM. YOUR LOCAL MILK MARKET AUTHORITIES SHOULD BE CONSULTED FOR COMPLIANCE WITH SANITARY REGULATIONS BEFORE BEGINNING CONSTRUCTION.

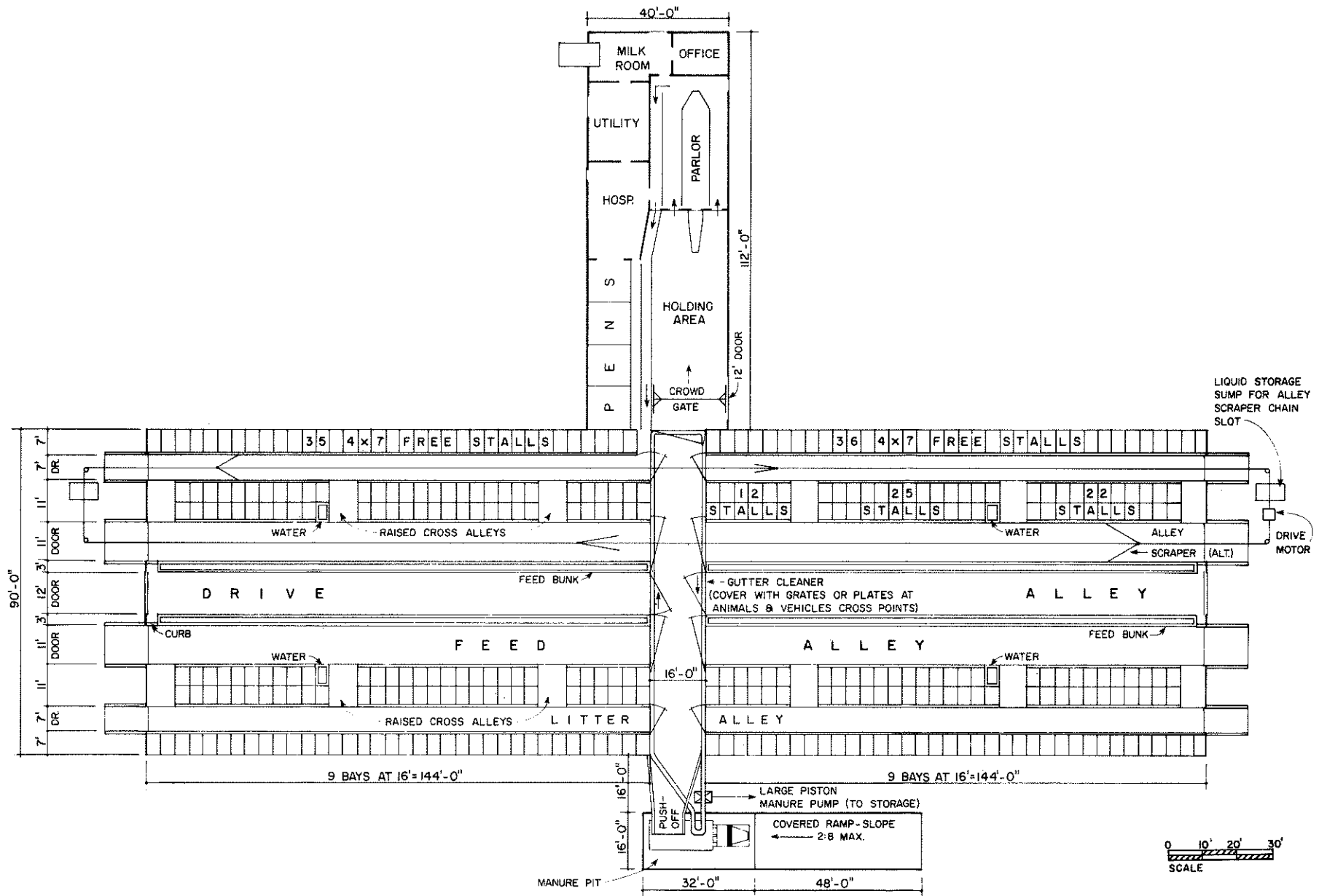


**COOPERATIVE EXTENSION WORK IN
 AGRICULTURE AND HOME ECONOMICS**

AND
 UNITED STATES DEPARTMENT OF AGRICULTURE COOPERATING

**6-ROW HIGH DENSITY
 FREE STALL DAIRY HOUSING**

MASS '82 EX. 6339 SHEET 1 OF 4



SYSTEM 3: 4-8 GROUPS

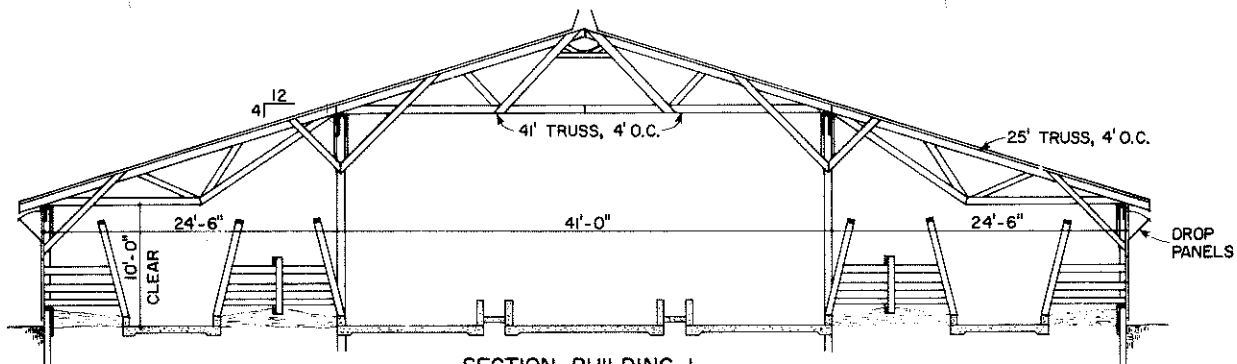
SEPARATE PARLOR AND HOLDING AREA
379 STALLS

COOPERATIVE EXTENSION WORK IN
AGRICULTURE AND HOME ECONOMICS

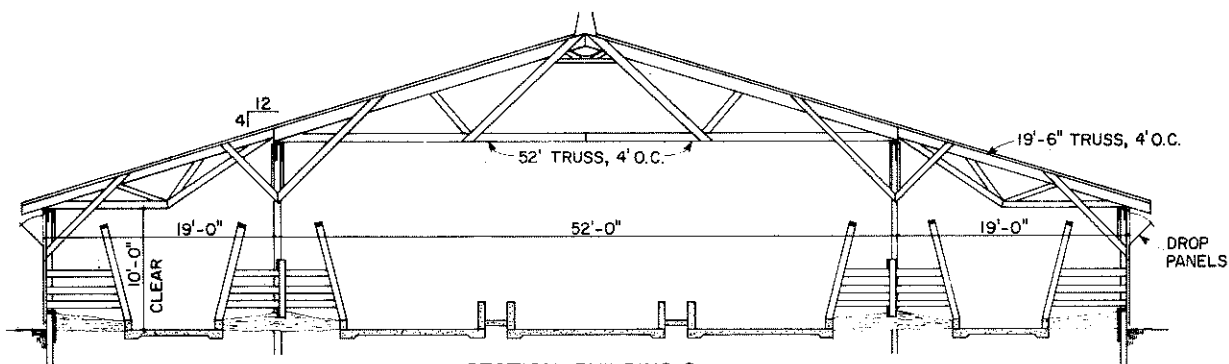
AND
UNITED STATES DEPARTMENT OF AGRICULTURE COOPERATING

6-ROW HIGH DENSITY
FREE STALL DAIRY HOUSING

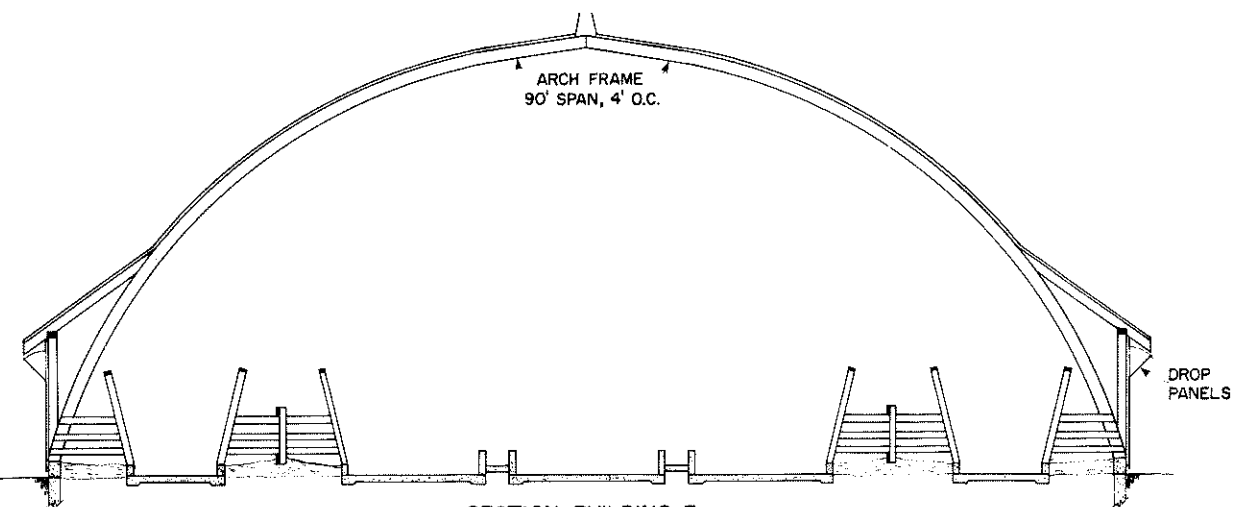
MASS '82 EX. 6339 SHEET 2 OF 4



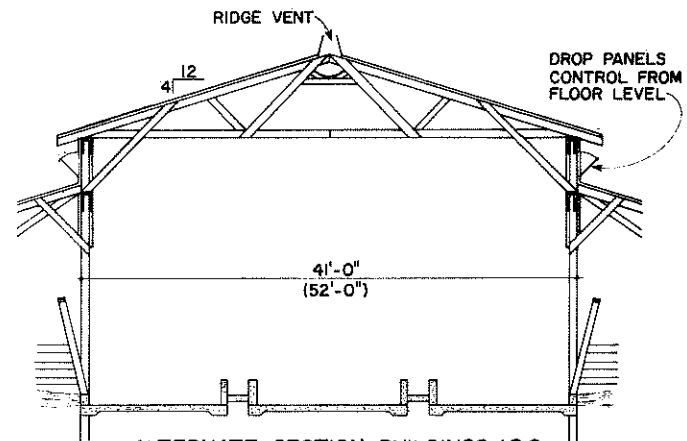
SECTION-BUILDING 1
4' CENTER TRUSS



SECTION-BUILDING 2
52' CENTER TRUSS



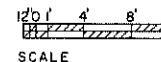
SECTION-BUILDING 3
ARCH ROOF



ALTERNATE SECTION-BUILDINGS 1&2
RAISED CENTER TRUSS FOR IMPROVED
LIGHTING AND VENTILATION

NOTE

ROOF FRAMING IS ONLY SHOWN TO PROVIDE CONCEPTS OF SOME ALTERNATIVE ROOF SYSTEMS. TRUSSES WILL NEED TO BE DESIGNED TO MEET LOCAL SNOW AND WIND LOAD CONDITIONS. ROOF LUMBER SIZES SHOULD NOT BE SCALED FROM DRAWING.

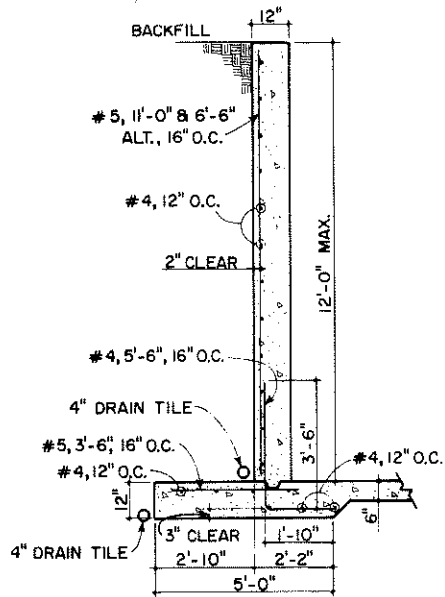


**COOPERATIVE EXTENSION WORK IN
AGRICULTURE AND HOME ECONOMICS**

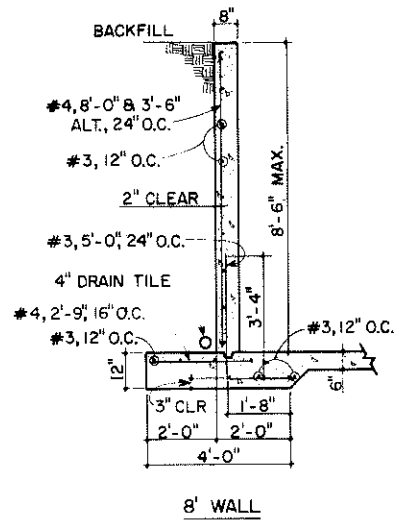
AND
UNITED STATES DEPARTMENT OF AGRICULTURE COOPERATING

**6-ROW HIGH DENSITY
FREE STALL DAIRY HOUSING**

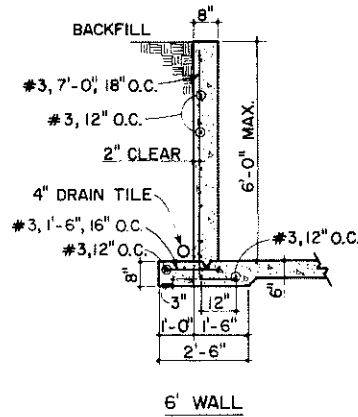
MASS '82 EX. 6339 SHEET 3 OF 4



12' WALL



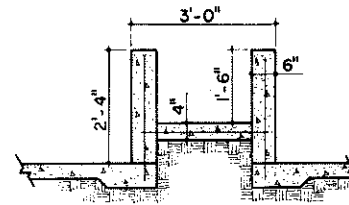
8' WALL



6' WALL

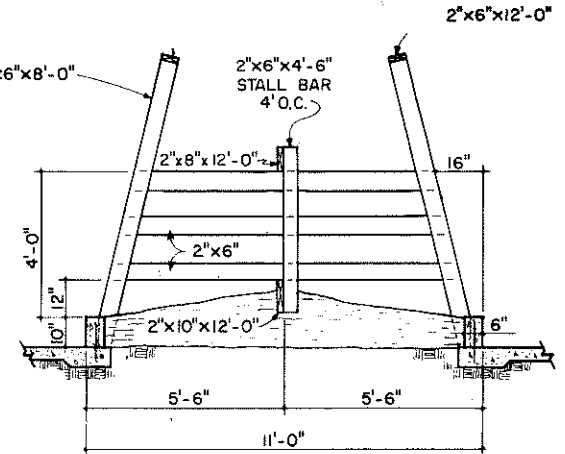
RETAINING WALL CROSS-SECTIONS

SCALE: FOR BELOW-GRADE MANURE PIT



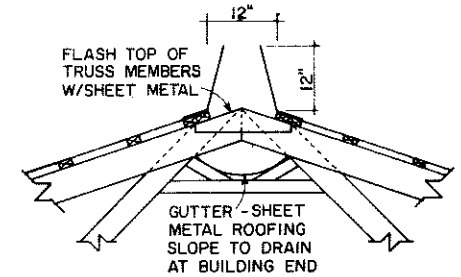
FEED BUNK DETAIL

SCALE:



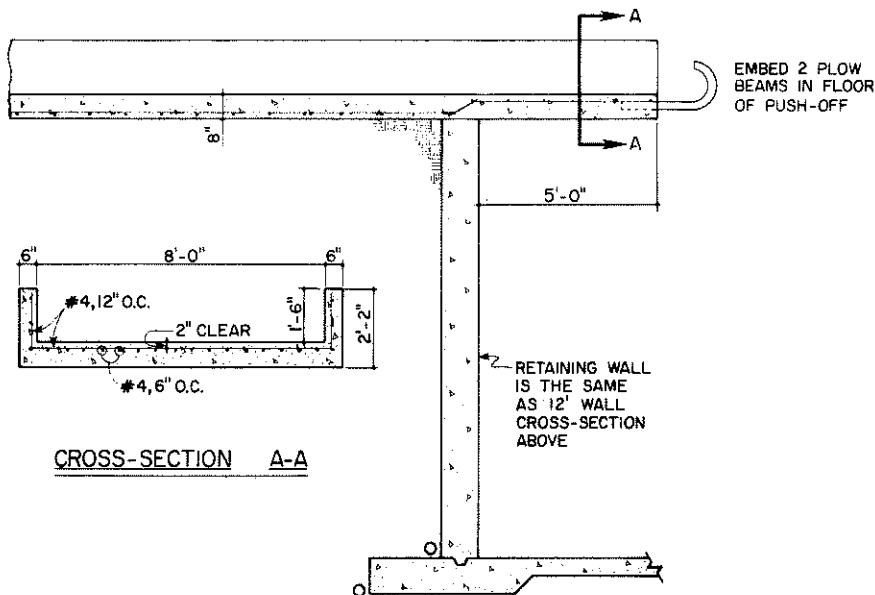
DOUBLE STALL DETAIL

SCALE:



RIDGE VENTILATOR

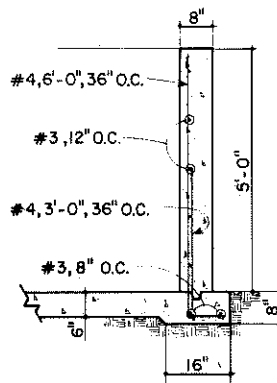
SCALE:



CROSS-SECTION A-A

MANURE LIP DETAIL

SCALE:



BUCK WALL DETAIL

FOR TEMPORARY ABOVE-GRADE MANURE STORAGE AND LOADING

SCALE:

COOPERATIVE EXTENSION WORK IN AGRICULTURE AND HOME ECONOMICS

AND UNITED STATES DEPARTMENT OF AGRICULTURE COOPERATING

6-ROW HIGH DENSITY FREE STALL DAIRY HOUSING

MASS '82	EX.6339	SHEET 4 OF 4
----------	---------	--------------