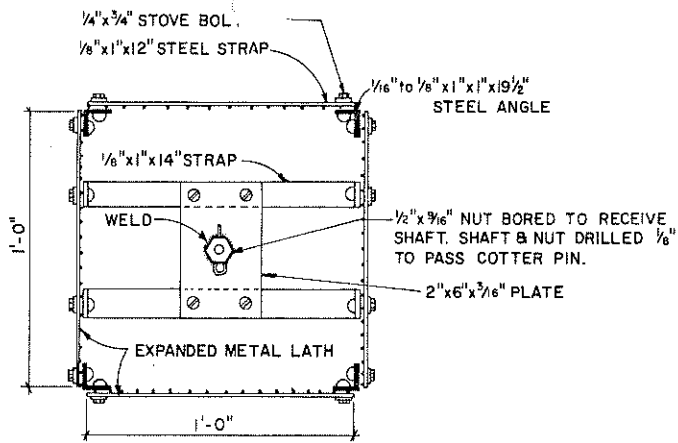
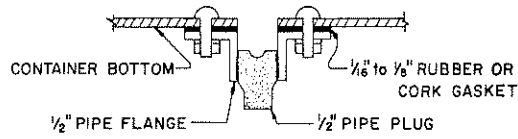


DETAIL 2 - EXTRACTOR PARTIAL SECTION

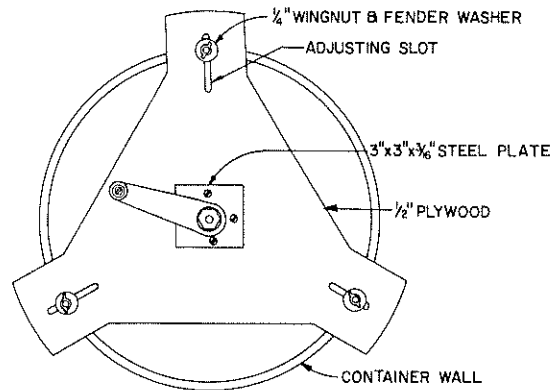


SECTION AA

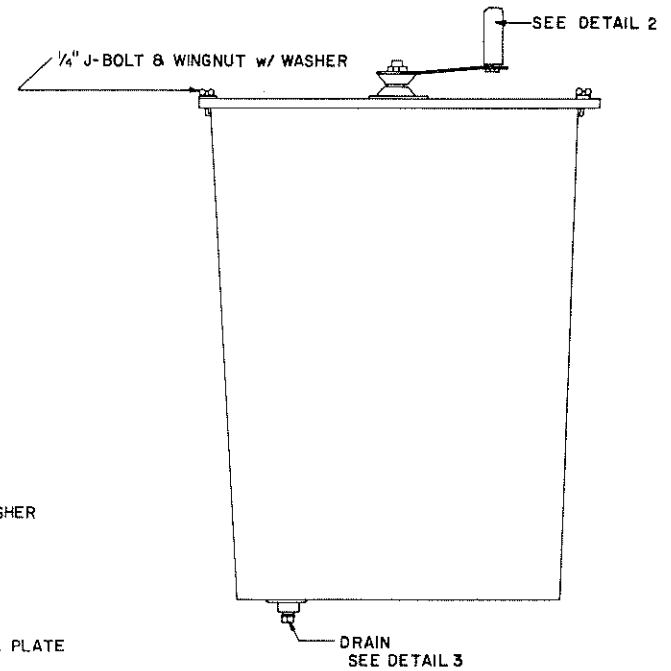


DETAIL 3 - DRAIN FITTING

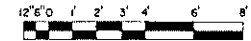
NOT TO SCALE



TOP VIEW



SIDE VIEW



NOTE: THE HONEY EXTRACTOR IS DESIGNED TO SPIN HONEY OUT OF THE COMBS AFTER THEY HAVE BEEN UNCAPPED. THEREFORE IT WILL HANDLE FOUR COMBS AT ONCE. CAUTION SHOULD BE USED WHEN EXTRACTING FROM NEW OR VERY OLD COMBS AS THEY ARE SUBJECT TO BREAKAGE. THESE COMBS SHOULD BE PARTIALLY EMPTIED ON ONE SIDE THEN TURNED AND PARTIALLY EMPTIED ON THE OTHER SIDE, REPEATING THIS PROCEDURE UNTIL ALL HONEY IS REMOVED.

COOPERATIVE EXTENSION WORK IN AGRICULTURE AND HOME ECONOMICS

AND UNITED STATES DEPARTMENT OF AGRICULTURE COOPERATING

HONEY EXTRACTOR

USDA '79 EX. 6330 SHEET 1 OF 1