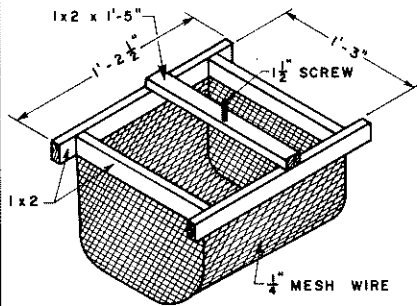
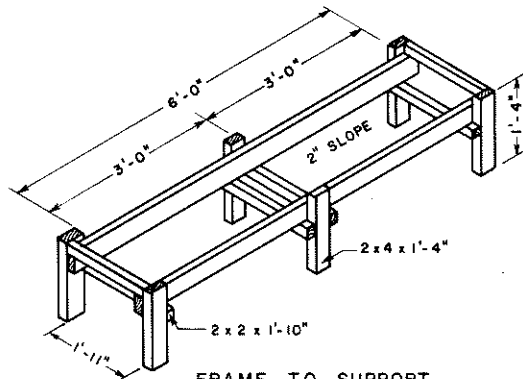


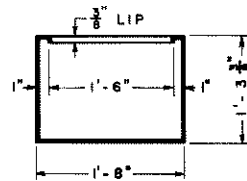
HONEY UNCAPPING TANK



BASKET TO COLLECT WAX CAPPINGS



FRAME TO SUPPORT UNCAPPING TANK



SECTION THRU CONSTRUCTED TANK

NOTE:
THE UNCAPPING TANK IS USED TO OPEN THE COMBS BEFORE HONEY EXTRACTING. TWO BASKETS MAY BE USED LEAVING APPROXIMATELY 42" TO HANG UNCAPPED COMBS.

MATERIALS:

- FRAME 2x2 x 6'-0" PINE
2x4 x 26'-0" PINE
1 LB. 10d NAILS
- BASKET 1x2 x 8'-0" PINE
16 1/2" x 5'-0" x 1/4" MESH HDW. CLOTH
- TANK 4'-2 3/4" 8'-6 3/4"
26 GA. GALVANIZED

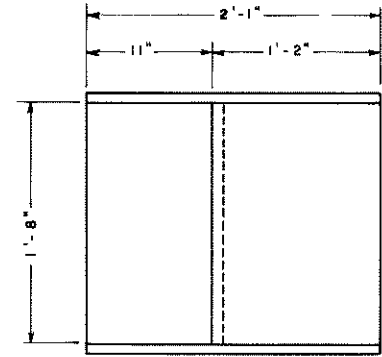
HONEYCOMB UNCAPPING TANK

SCALE: NONE

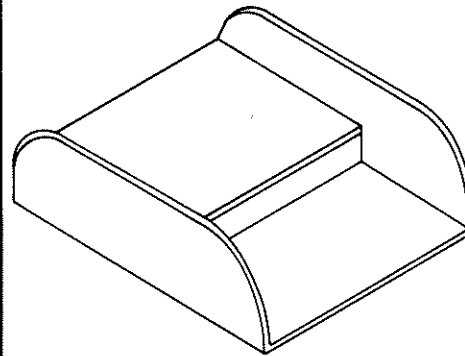
BASED ON FLA. PLAN NO. 928



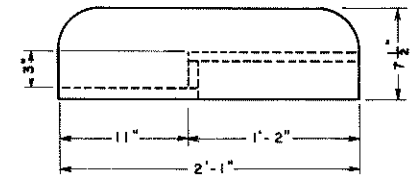
END VIEW



TOP VIEW



ISOMETRIC VIEW



SIDE VIEW

NOTE:
FINISHED UNIT SHOULD BE PAINTED WITH PAINT APPROVED FOR USE IN CONTACT WITH FOOD.

SUPER DUMPING BOARD

SCALE: NONE

COOPERATIVE EXTENSION WORK IN AGRICULTURE AND HOME ECONOMICS

AND UNITED STATES DEPARTMENT OF AGRICULTURE COOPERATING

HONEYCOMB UNCAPPING TANK AND SUPER DUMPING BOARD

USDA '80 EX. 6325 SHEET 1 OF 1

BASED ON FLA. PLAN NO. 927