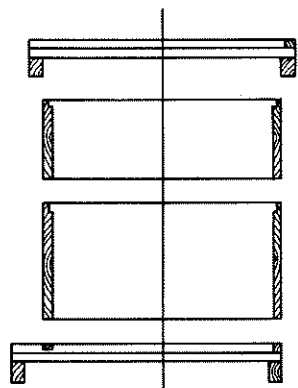
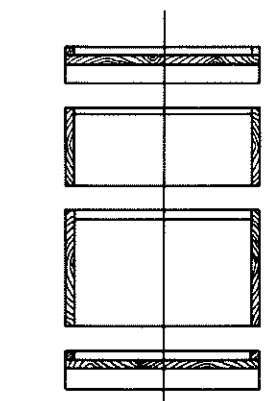


NOTE: DIAGRAM ABOVE SHOWS HOW ONE HIVE CAN BE CUT FROM A 1x12 AND A 1xB, BOTH 10' LONG, AND A 2x2 6' LONG. (1/8" FOR SAW CUT)



EXPLODED TOP: T-1, T-2, THE TWO T-3'S, T-4, AND THE TWO T-5 PIECES ARE ASSEMBLED TO FORM THE TOP.

SECTION A

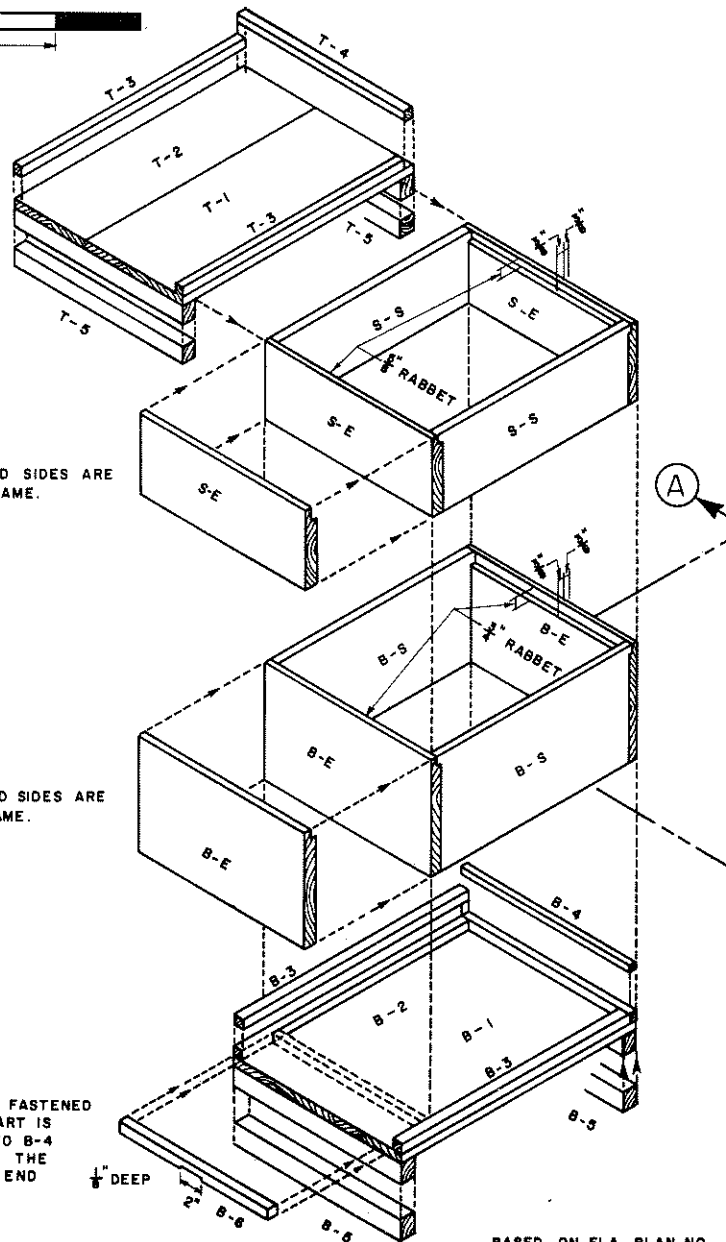


SECTION B

BROOD BODY  
EXPLODED END VIEW: ENDS AND SIDES ARE ASSEMBLED INTO ONE SOLID FRAME.

SHALLOW SUPER  
EXPLODED END VIEW: ENDS AND SIDES ARE ASSEMBLED INTO ONE SOLID FRAME.

EXPLODED BOTTOM: B-1 AND B-2 ARE FASTENED AT EACH END TO A B-3 PART. A B-3 PART IS ATTACHED TO EACH SIDE, BUTTING UP TO B-4 AT THE END. B-6 IS LOCATED BETWEEN THE B-3'S AND DIRECTLY BELOW BROOD BODY END AS SHOWN.



| MEANING OF SYMBOLS |               |
|--------------------|---------------|
| B                  | BOTTOM        |
| T                  | TOP           |
| -E                 | END           |
| -S                 | SIDE          |
| B-                 | BROOD BODY    |
| S-                 | SHALLOW SUPER |

| SCHEDULE OF PARTS |        |                        |
|-------------------|--------|------------------------|
| SYMBOL            | AMOUNT | DIMENSIONS (INCHES)    |
| T-1               | 1      | 3/4 x 9 5/8 x 22 3/8   |
| T-2               | 1      | 3/4 x 6 5/8 x 22 3/8   |
| T-3               | 2      | 3/4 x 3/4 x 21 5/8     |
| T-4               | 1      | 3/4 x 3/4 x 16 1/4     |
| T-5               | 2      | 1 1/8 x 1 1/2 x 16 1/4 |
| S-S               | 2      | 3/4 x 6 5/8 x 19 1/8   |
| S-E               | 2      | 3/4 x 6 5/8 x 16 1/4   |
| B-S               | 2      | 3/4 x 9 5/8 x 19 1/8   |
| B-E               | 2      | 3/4 x 9 5/8 x 16 1/4   |
| B-1               | 1      | 3/4 x 9 5/8 x 22 1/2   |
| B-2               | 1      | 3/4 x 6 5/8 x 22 1/2   |
| B-3               | 2      | 3/4 x 3/4 x 21 3/4     |
| B-4               | 1      | 3/4 x 3/4 x 16 1/4     |
| B-5               | 2      | 1 1/8 x 1 1/2 x 16 1/4 |
| B-6               | 1      | 3/4 x 3/4 x 14 3/4     |

COOPERATIVE EXTENSION WORK IN AGRICULTURE AND HOME ECONOMICS

AND UNITED STATES DEPARTMENT OF AGRICULTURE COOPERATING

LOW COST BEEHIVE

|          |          |              |
|----------|----------|--------------|
| USDA 180 | EX. 6324 | SHEET 1 OF 1 |
|----------|----------|--------------|