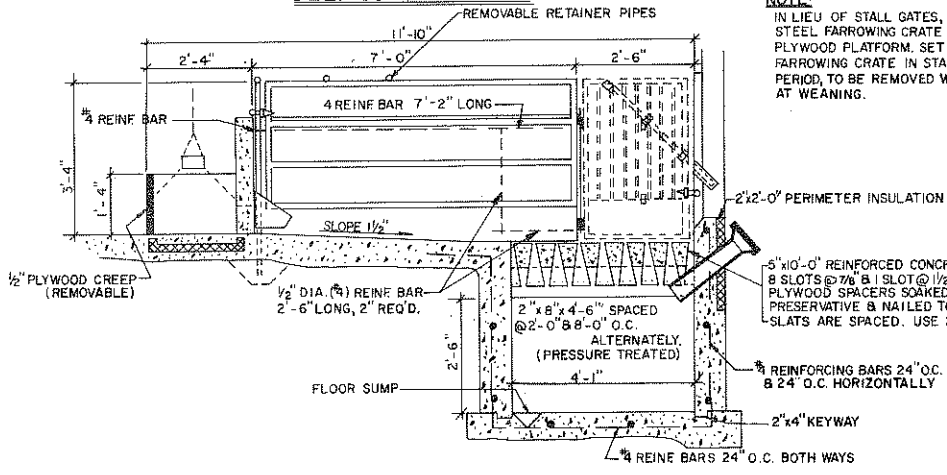
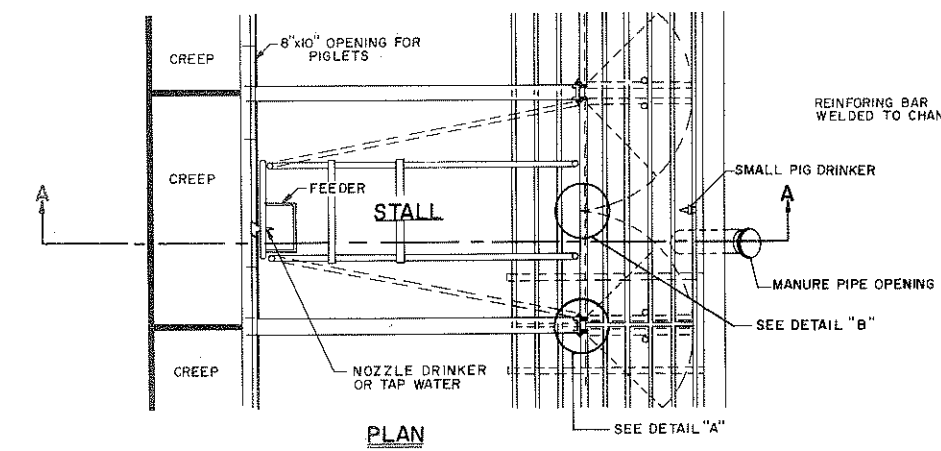


**DEEP GUTTER DETAIL**

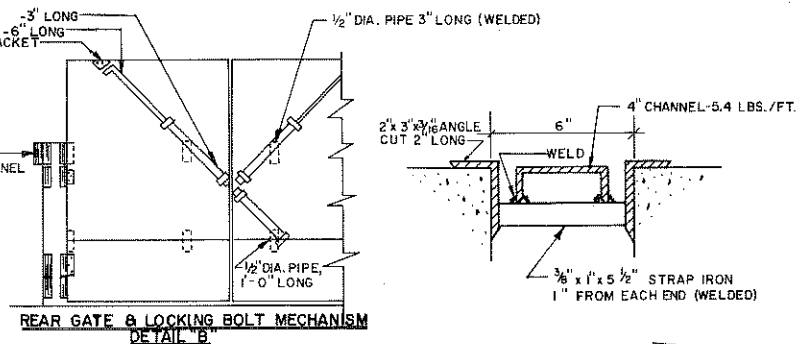


**SLOTTED FLOOR DETAIL**

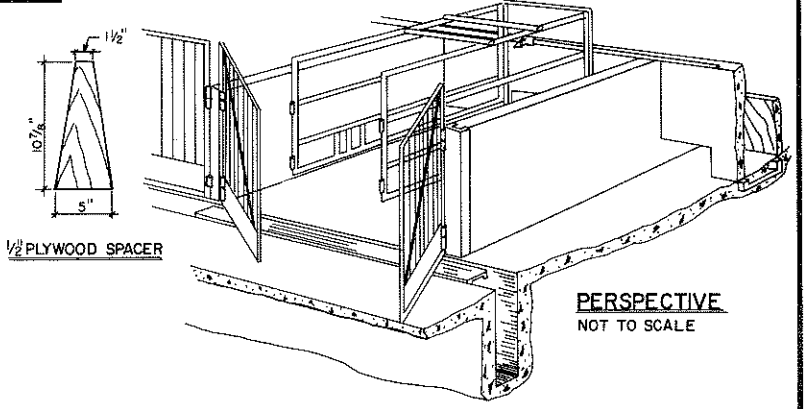


**PLAN**

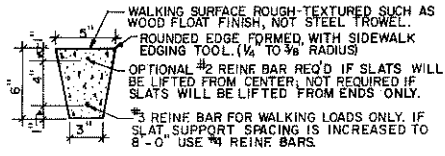
**NOTE:**  
IN LIEU OF STALL GATES, USE A STANDARD STEEL FARROWING CRATE BOLTED TO A 3/4 PLYWOOD PLATFORM. SET REMOVABLE FARROWING CRATE IN STALL FOR NURSING PERIOD, TO BE REMOVED WITH THE SOW AT WEANING.



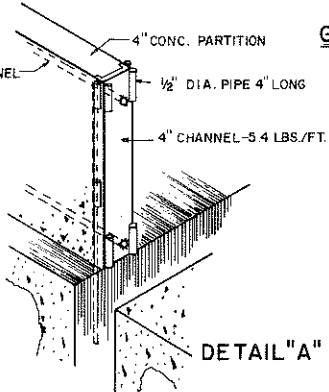
**REAR GATE & LOCKING BOLT MECHANISM DETAIL B**



**PERSPECTIVE NOT TO SCALE**

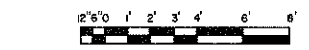


**SLAT DETAIL**



**GUTTER CHANNEL DETAIL**

**DETAIL "A"**



SCALE:

COOPERATIVE EXTENSION WORK IN AGRICULTURE AND HOME ECONOMICS

AND UNITED STATES DEPARTMENT OF AGRICULTURE COOPERATING

**CONVERTIBLE FARROWING PEN WITH FRONT CREEP**

USDA '79 EX. 6320 SHEET 1 OF 1

NOTE: BASED ON CANADA PLAN NO. 3008