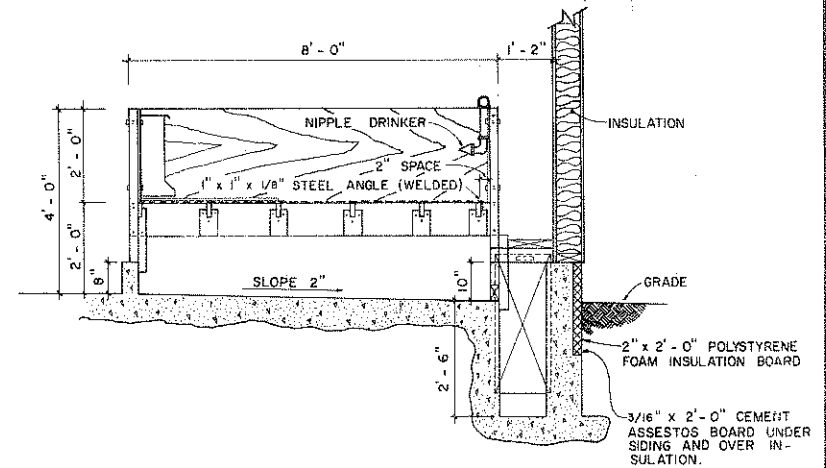
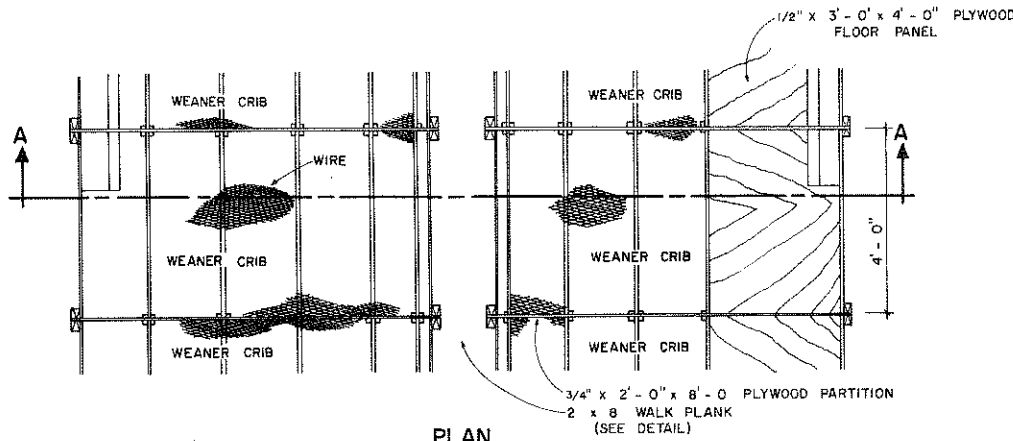


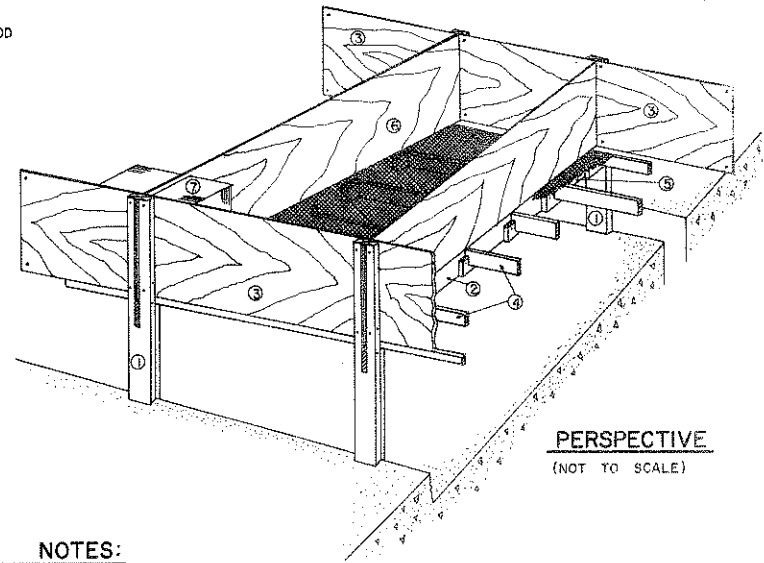
SECTION "A-A"



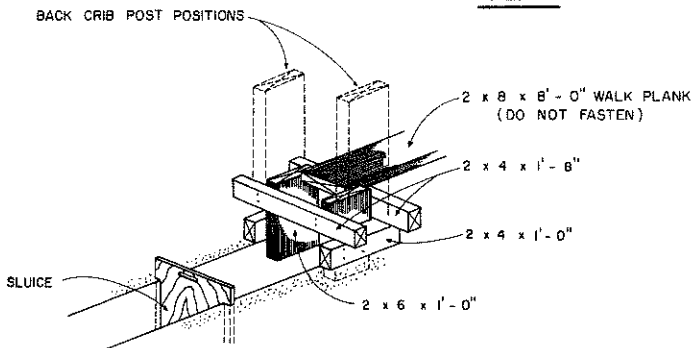
ALTERNATE SECTION WITH PENS BACK TO WALL



PLAN



PERSPECTIVE  
(NOT TO SCALE)



WALK PLANK SUPPORT DETAIL

(NOT TO SCALE)

CONSTRUCTION NOTES:

- 1) BOLT FRONT AND BACK CRIB POSTS ① TO BEAM ②. NOTE THAT THE CRIB POSTS ARE CUT TO UNEQUAL LENGTHS TO MAKE THE CRIB FLOOR LEVEL. ALL WOOD PARTS BELOW WALKWAY LEVEL TO BE SOAKED IN WOOD PRESERVATIVE AFTER CUTTING AND BEFORE ASSEMBLY.
- 2) BOLT FRONT AND BACK PLYWOOD PANELS ③ TO CRIB POST ①.
- 3) SET FLOOR JOISTS ④ INTO CLEATS ATTACHED TO BEAM ②.
- 4) CUT 6" FROM ONE END OF 4'-0" x 8'-0" STEEL MESH FLOOR PANEL, WELD ON STEEL ANGLE, AND SET MESH ⑤ IN PLACE. DO NOT FASTEN MESH TO FRAMES.
- 5) BOLT IN PLYWOOD SIDE PANELS ⑥. THESE SIDE PANELS CONCEAL THE LONG EDGES OF THE STEEL MESH.
- 6) ADD SELF-FEEDER ⑦, NIPPLE DRINKER AND REMOVABLE PLYWOOD FLOOR PANEL IF DESIRED.



SCALE

COOPERATIVE EXTENSION WORK IN  
AGRICULTURE AND HOME ECONOMICS

AND  
UNITED STATES DEPARTMENT OF AGRICULTURE COOPERATING

WEANER CRIB

USDA '79 EX. 6319 SHEET 1 OF 1

NOTE: BASE ON CANADIAN PLAN NO. 3045