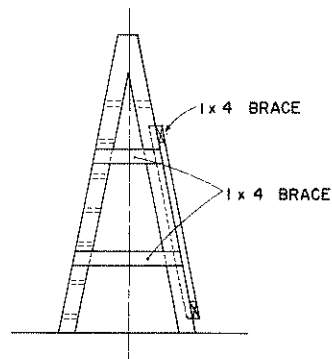
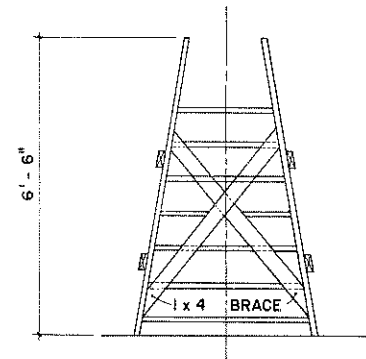


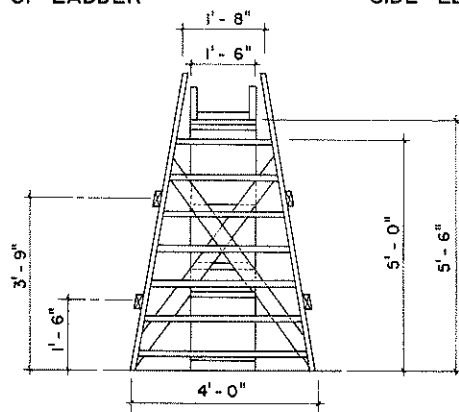
REAR ELEVATION OF LADDER



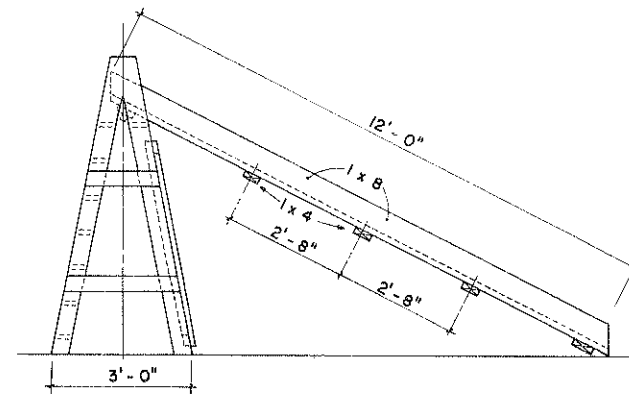
SIDE ELEVATION OF LADDER



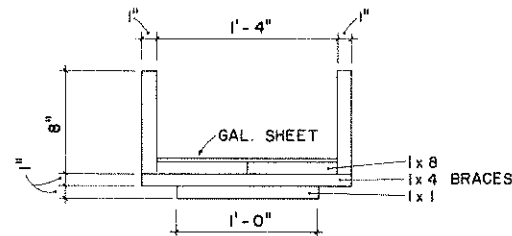
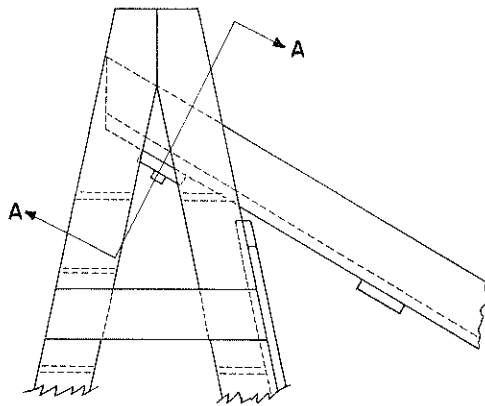
BRACING DETAIL



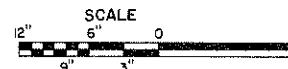
REAR ELEVATION



SIDE ELEVATION



SECTION A - A



BASED ON: AUBURN UNIV. PLAN NO. E-302

SLIDING BOARD



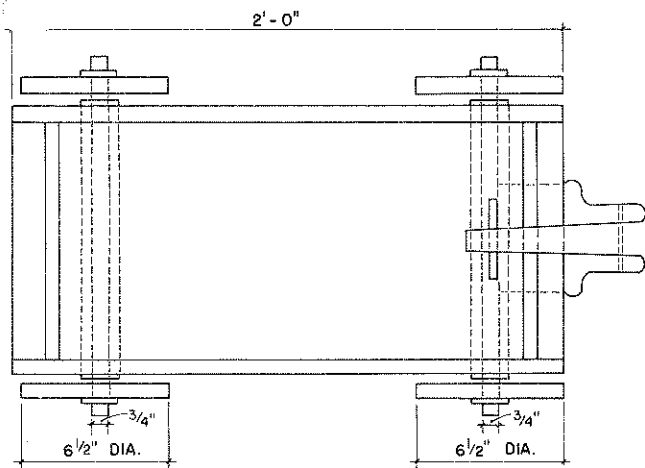
SCALE: UNLESS OTHERWISE NOTE

COOPERATIVE EXTENSION WORK IN
AGRICULTURE AND HOME ECONOMICS

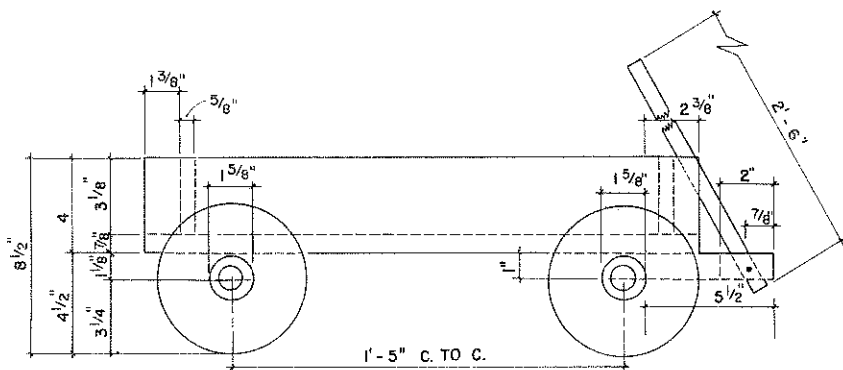
AND
UNITED STATES DEPARTMENT OF AGRICULTURE COOPERATING

PLAYGROUND EQUIPMENT

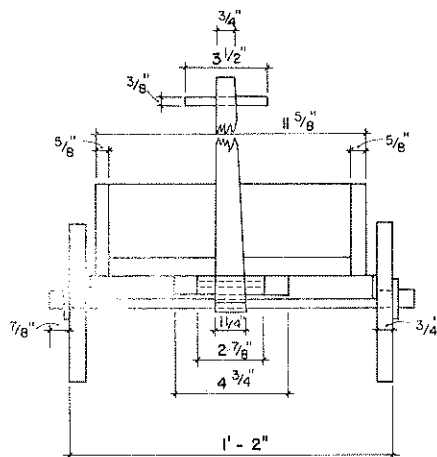
USDA '79 EX. 6317 SHEET 1 OF 4



PLAN

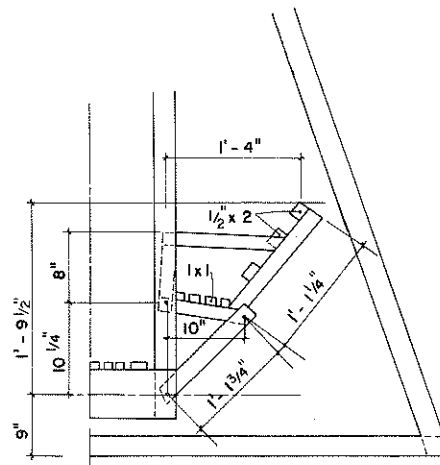
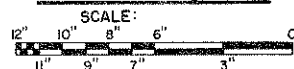


SIDE ELEVATION

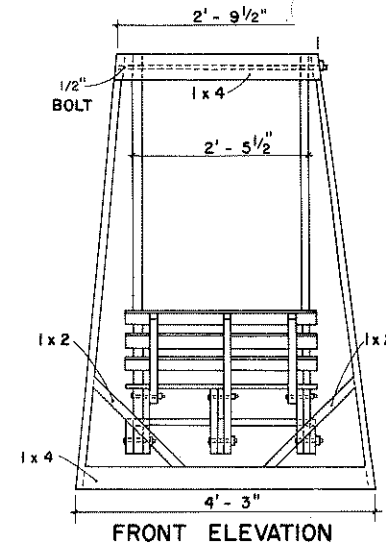


FRONT ELEVATION

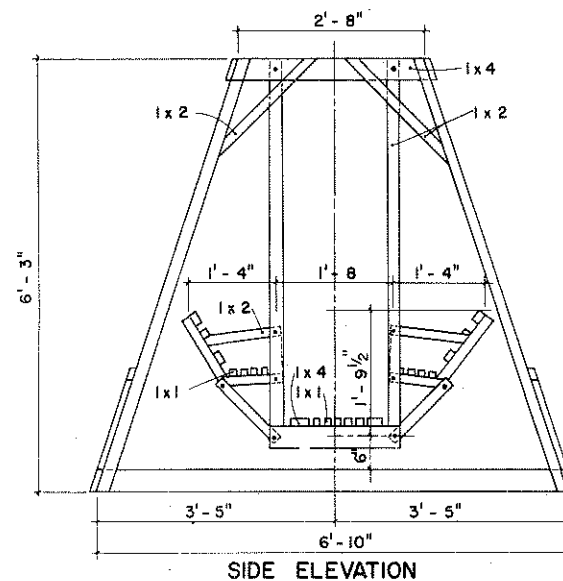
CHILD'S WAGON



DETAIL
NOT TO SCALE

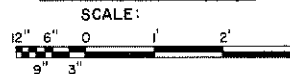


FRONT ELEVATION

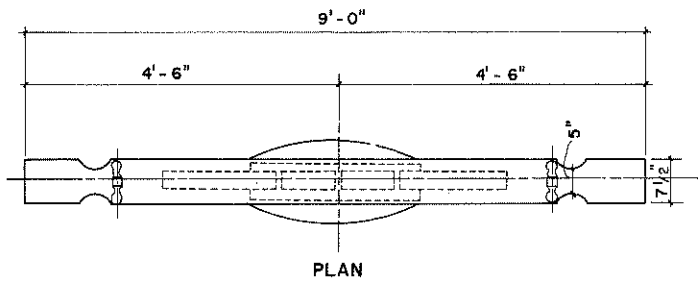


SIDE ELEVATION

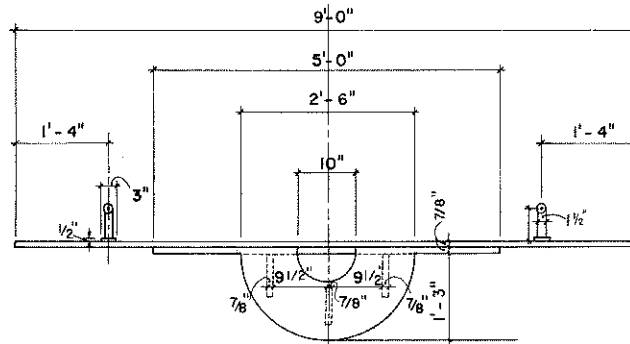
CHILD'S SWING



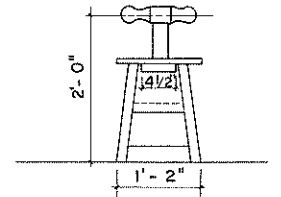
COOPERATIVE EXTENSION WORK IN AGRICULTURE AND HOME ECONOMICS		
AND UNITED STATES DEPARTMENT OF AGRICULTURE COOPERATING		
PLAYGROUND EQUIPMENT		
USDA '79	EX. 6317	SHEET 2 OF 4



PLAN

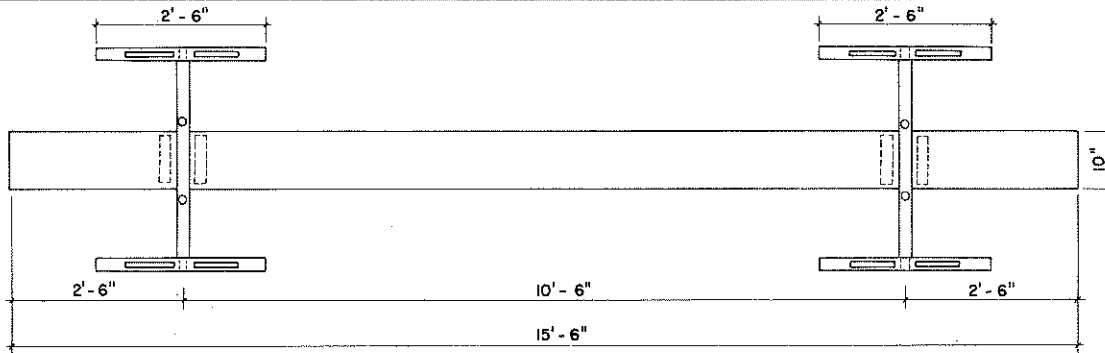


SIDE ELEVATION

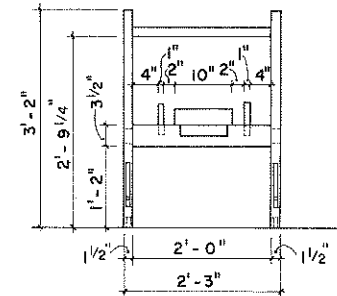


TEETER BOARD

SCALE



PLAN

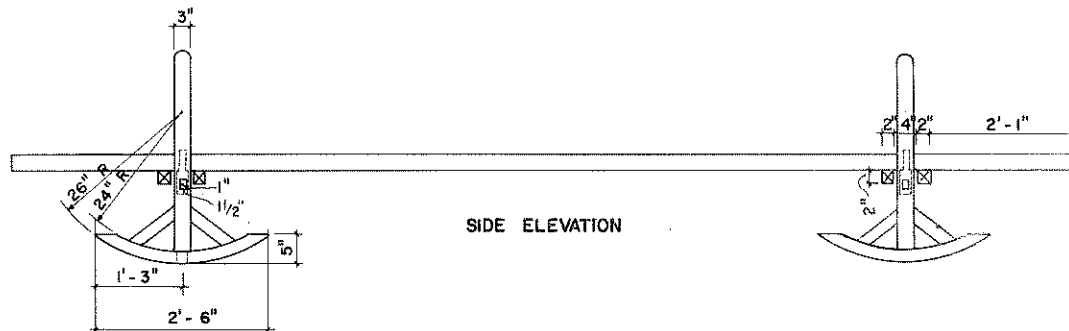


ELEVATION

ROCKING BOARD

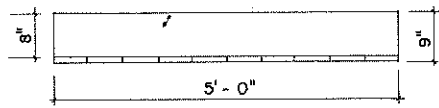


SCALE

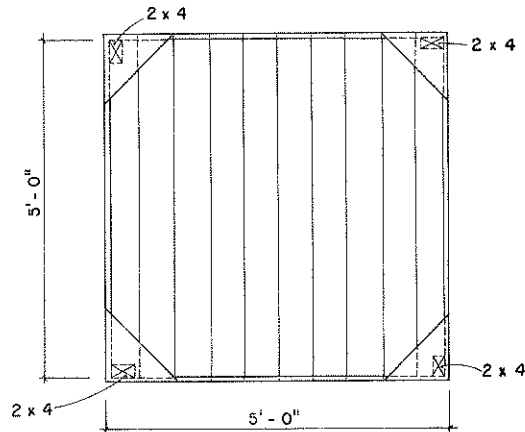


SIDE ELEVATION

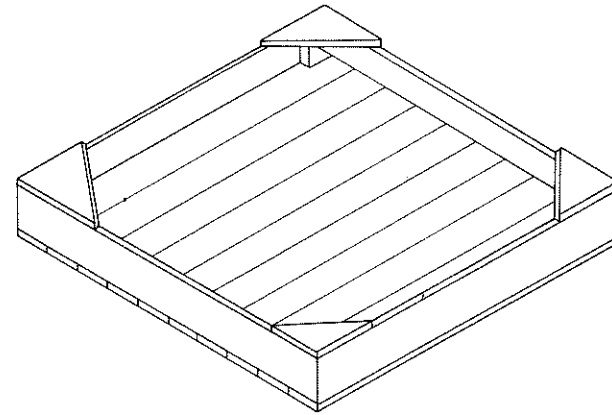
COOPERATIVE EXTENSION WORK IN AGRICULTURE AND HOME ECONOMICS		
AND UNITED STATES DEPARTMENT OF AGRICULTURE COOPERATING		
PLAYGROUND EQUIPMENT		
USDA '79	EX. 6317	SHEET 3 OF 4



SIDE ELEVATION



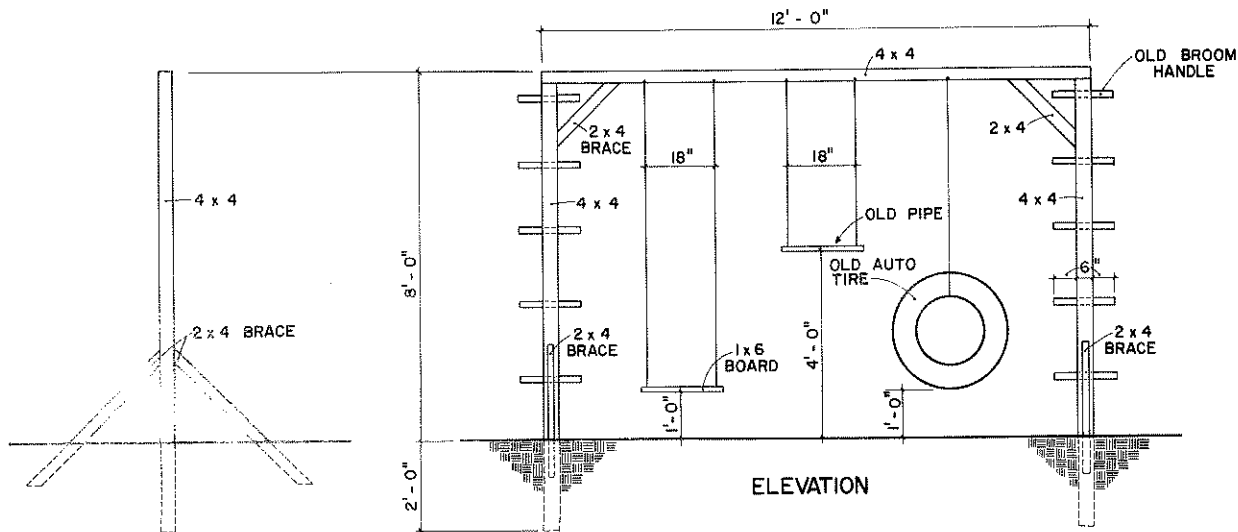
PLAN



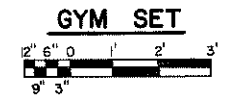
ISOMETRIC

SAND BOX

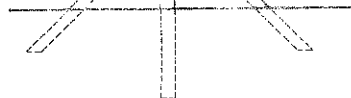
SCALE
12" 9" 6" 3" 0" 1'



ELEVATION



GYM SET



POST DETAIL

COOPERATIVE EXTENSION WORK IN AGRICULTURE AND HOME ECONOMICS		
AND UNITED STATES DEPARTMENT OF AGRICULTURE COOPERATING		
PLAYGROUND EQUIPMENT		
USDA '79	EX. 6317	SHEET 4 OF 4