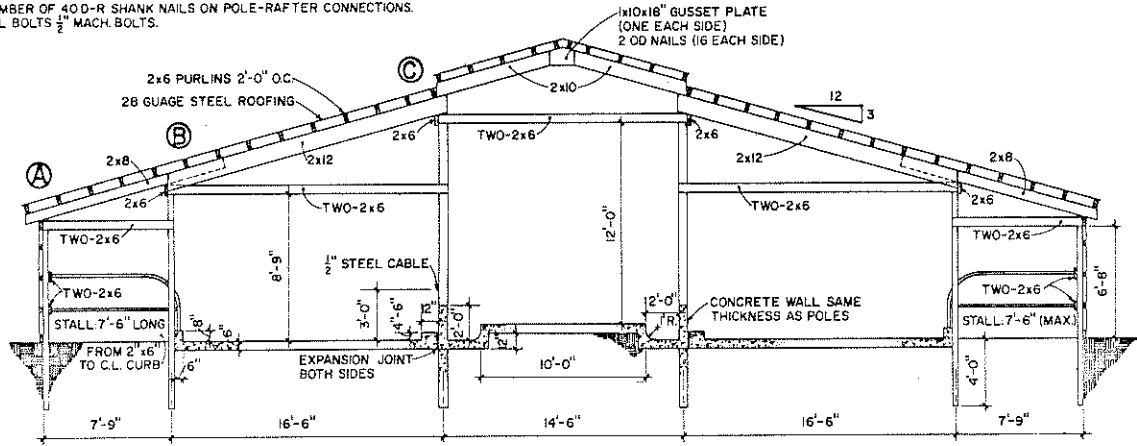


R-RING

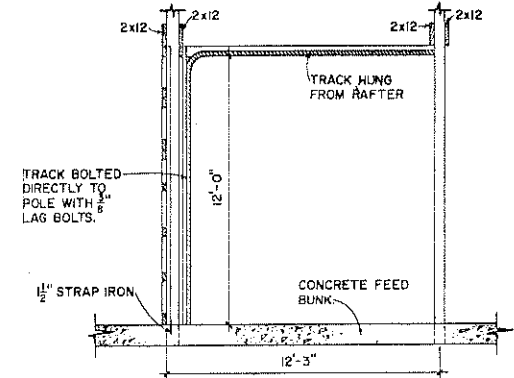
**NOTE:**

THREE 40D-R SHANK NAILS EACH 2x6 CONNECTION USE SPECIFIED NUMBER OF 40D-R SHANK NAILS ON POLE-RAFTER CONNECTIONS. ALL BOLTS  $\frac{1}{2}$ " MACH. BOLTS.

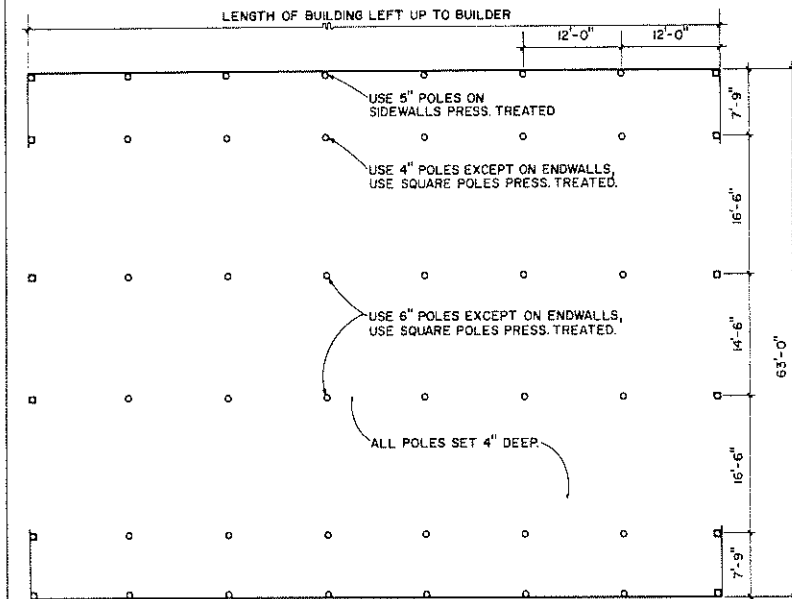


**SECTION "A-A"**

SCALE: 1/2" = 1'-0"

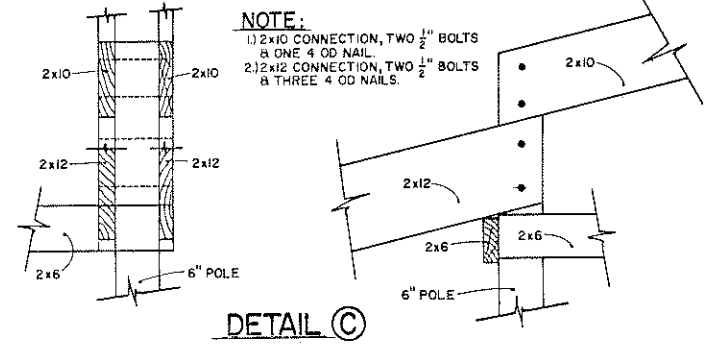


**12' DOOR-SIDE VIEW**



**FLOOR PLAN**

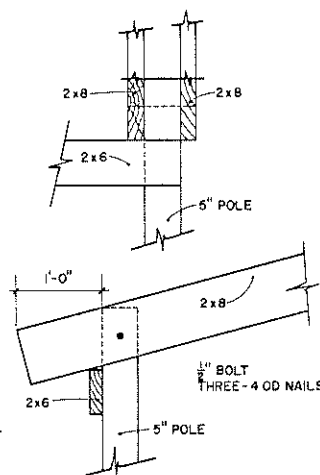
SCALE: 1/2" = 1'-0"



**NOTE:**

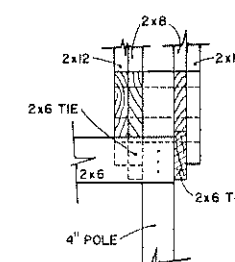
1) 2x10 CONNECTION, TWO  $\frac{1}{2}$ " BOLTS & ONE 4 OD NAIL.  
2) 2x12 CONNECTION, TWO  $\frac{1}{2}$ " BOLTS & THREE 4 OD NAILS.

**DETAIL C**



**DETAIL A**

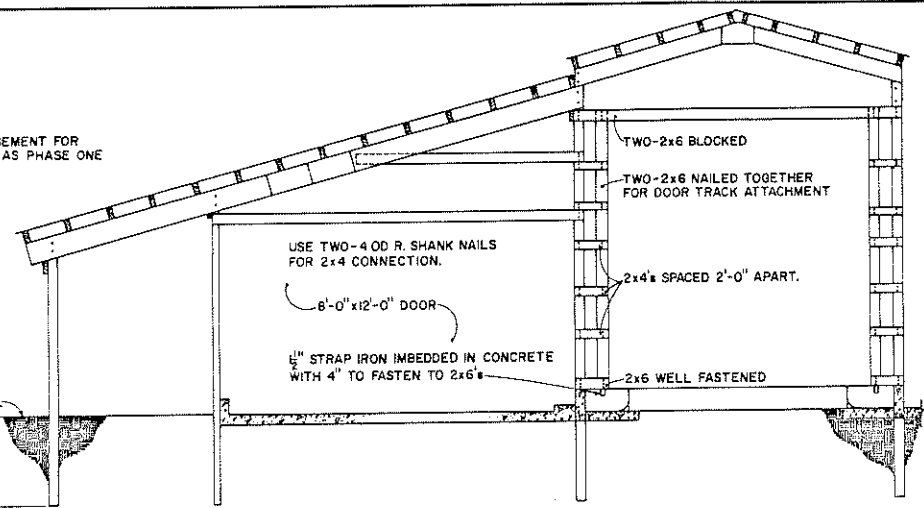
BASED ON UNIVERSITY OF WYOMING PLAN NO. FS-27



**DETAIL B**

COOPERATIVE EXTENSION WORK IN AGRICULTURE AND HOME ECONOMICS		
AND UNITED STATES DEPARTMENT OF AGRICULTURE COOPERATING		
<b>HAY BARN</b>		
WYO. '78	6310	SHEET 1 OF 2

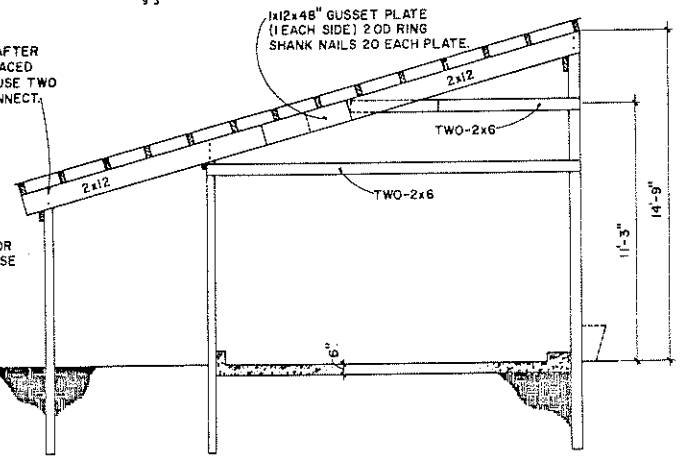
GIRT ARRANGEMENT FOR SIDING SAME AS PHASE ONE



### PHASE 3 WITH DRIVE-THROUGH ALLEY

SCALE:  $\frac{1}{4}'' = 1'-0''$

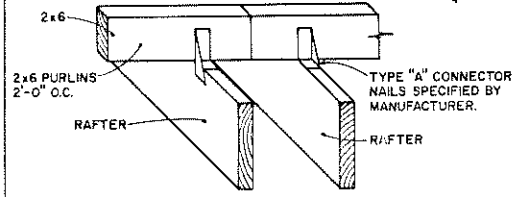
**NOTE:**  
IN PHASE TWO, 2x8 RAFTER ON ENDWALLS IS REPLACED WITH A 2x12 RAFTER. USE TWO  $\frac{1}{2}$ " MACH. BOLTS TO CONNECT.



**NOTE:**  
GIRT ARRANGEMENT FOR SIDING SAME AS IN PHASE ONE.

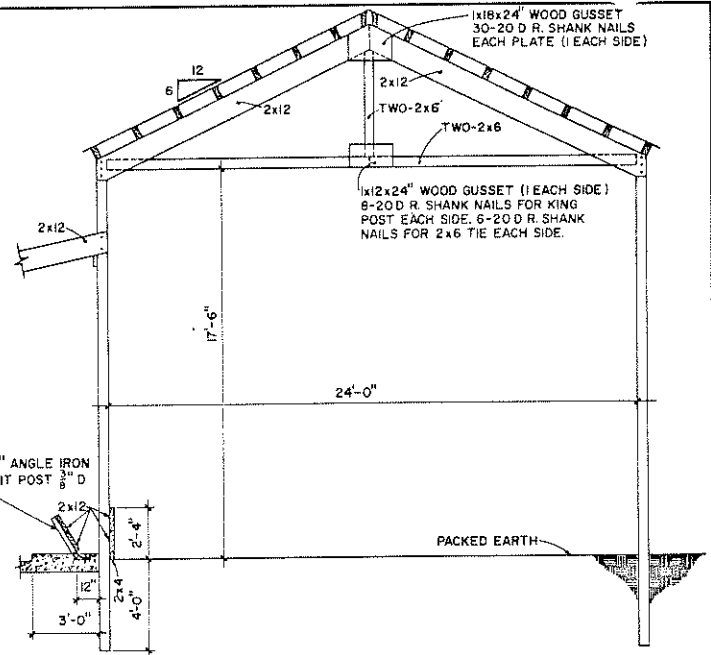
### PHASE 2

SCALE:  $\frac{1}{4}'' = 1'-0''$



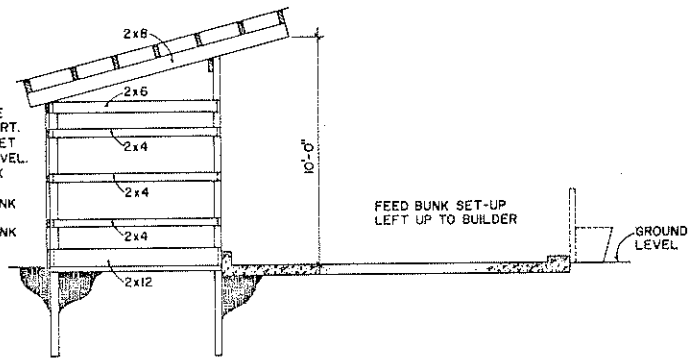
### PURLIN TIE TO RAFTER

SCALE:  $\frac{1}{2}'' = 1'-0''$

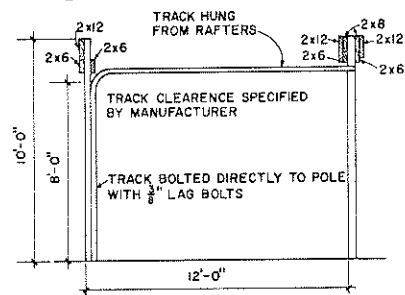


### HAY BARN AS AN ALTERNATE TO DRIVE-THROUGH ALLEY

**NOTE:**  
2x4 END GIRTS AND SIDE GIRTS SPACED 2'-0" APART. 2x12 PRESS. TREATED SET 4'-0" BELOW GROUND LEVEL. USE TWO-40 D R. SHANK NAILS ON 2x4's. USE THREE-40 D R. SHANK NAILS ON 2x12. USE THREE-40 D R. SHANK NAILS ON 2x6.



### PHASE 1



### 8' DOOR SIDE VIEW

COOPERATIVE EXTENSION WORK IN AGRICULTURE AND HOME ECONOMICS

AND UNITED STATES DEPARTMENT OF AGRICULTURE COOPERATING

### HAY BARN

WYO. '78 6310 SHEET 2 OF 2