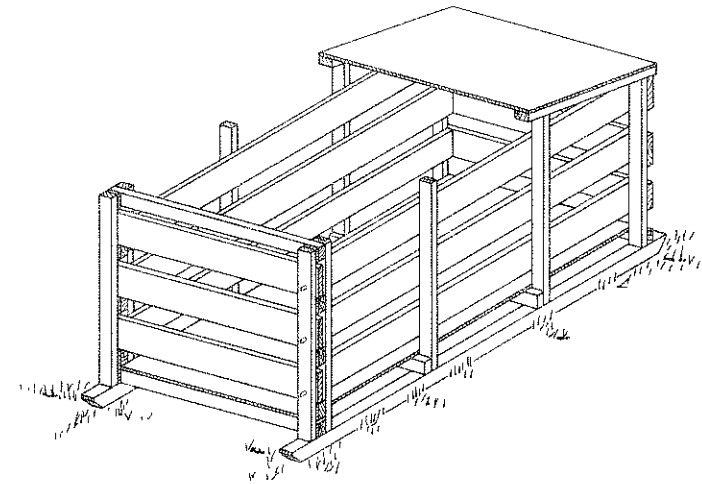
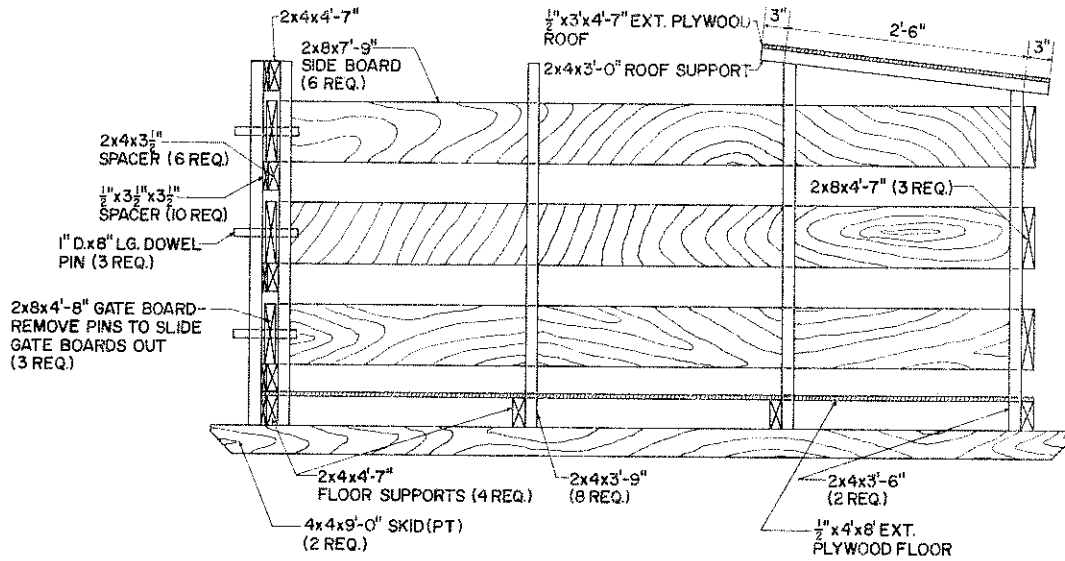


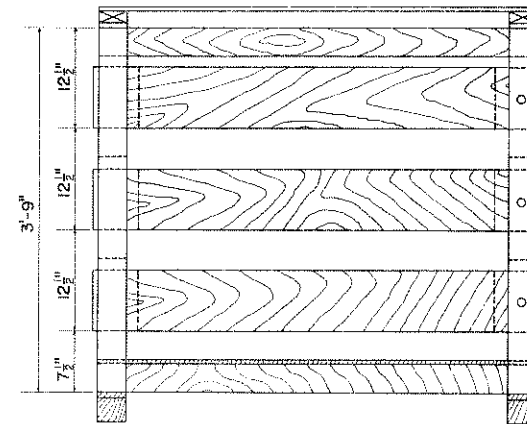
PLAN



PICTORIAL
NOT TO SCALE



SIDE ELEVATION



ELEVATION-GATED END



SCALE:

COOPERATIVE EXTENSION WORK IN
AGRICULTURE AND HOME ECONOMICS

AND
UNITED STATES DEPARTMENT OF AGRICULTURE COOPERATING

BACKYARD PIGPEN

W.V.A. '78 6305 SHEET 1 OF 1