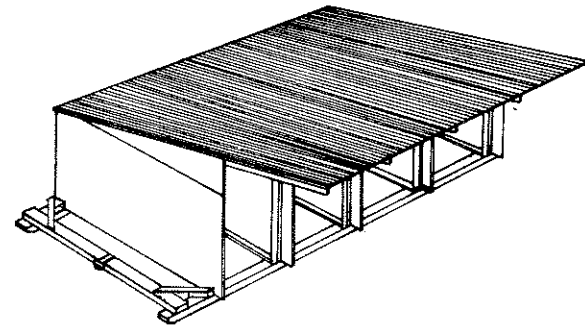
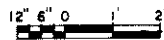


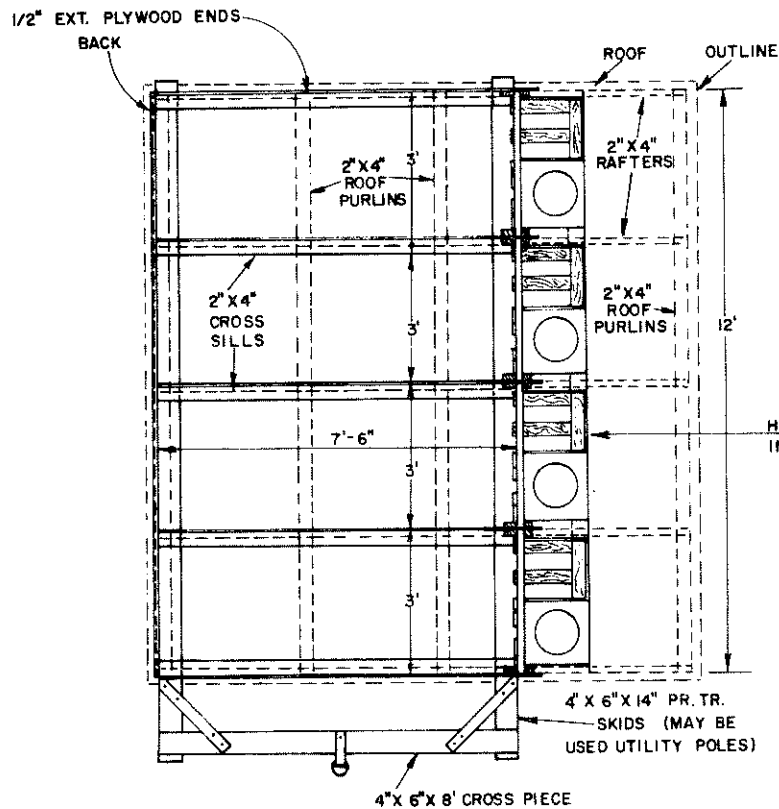
CROSS SECTION

SCALE



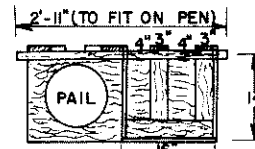
PERSPECTIVE

MULTIPLE PEN BUILDING, CLOSED THREE SIDES, OPEN TO THE SOUTH OR SOUTHEAST  
 3'-6" ROOF EXTENSION TO PROTECT WORKER AND TO KEEP FEED DRY.  
 FOR HEIFERS TO 2 MONTHS OF AGE.

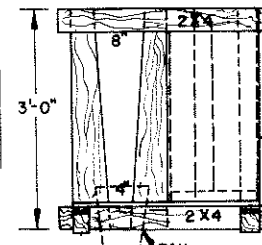


PLAN VIEW

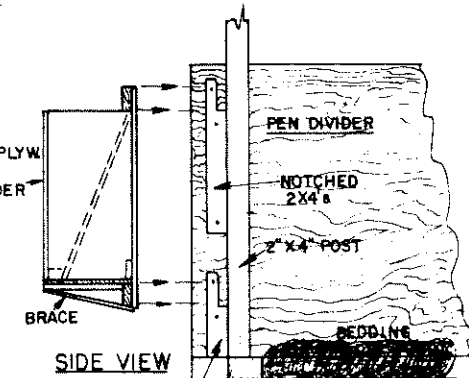
ROOF OMITTED FOR CLARITY



TOP VIEW



FRONT VIEW



SIDE VIEW

HEADSTOCK UNIT

HAY RACK & PAIL SETS INTO NOTCHED 2x4's ON PEN

SCALE



NOTE:  
 CONSULT LOCAL HEALTH AND BUILDING CODE  
 AUTHORITIES BEFORE STARTING CONSTRUCTION

BASED ON: PENN. STATE UNIV. PLAN NO. 723-219

COOPERATIVE EXTENSION WORK IN  
 AGRICULTURE AND HOME ECONOMICS

AND  
 UNITED STATES DEPARTMENT OF AGRICULTURE COOPERATING

SOLAR CALF KENNEL

PA. '78 6302 SHEET 1 OF 1