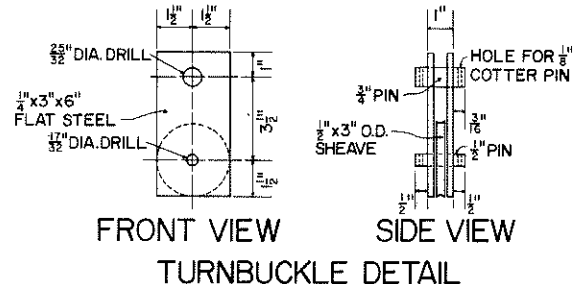
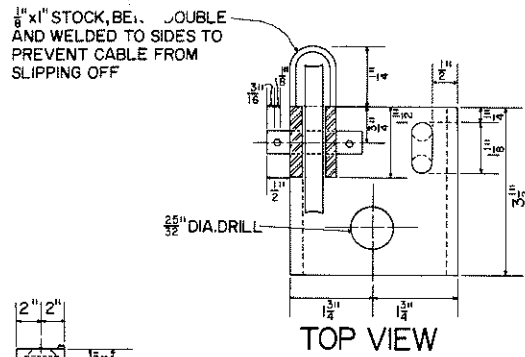


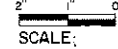
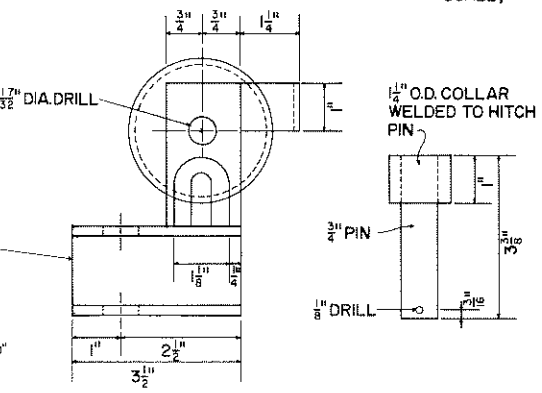
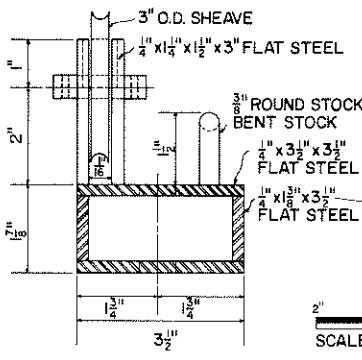
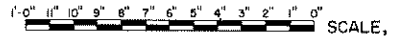
STRUCTURAL MATERIAL REQUIREMENTS

MATERIAL	MIN. LENGTH REQ'D. (FT.)	WEIGHT
C3x6.0 ⁹ /FT.	4.10	24.60
C5x6.7 ⁹ /FT.	21.25	142.38
S5x10.0 ⁷ /FT.	6.00	60.00
4" x 3" x 1/2" x 1 1/8"/FT.	2.16	23.98
3" x 3" x 1/4" x 4.9 ⁹ /FT.	13.50	66.15
FLAT STEEL, 1/2" x 4" x 6.8 ⁹ /FT.	18.00	122.40
FLAT STEEL, 1/4" x 3" x 2.55 ⁹ /FT.	20.50	52.28
ROUND STEEL, 7/8" x 2.0 ⁹ /FT.	1.30	2.60
ROUND STEEL, 3/4" x 1.5 ⁹ /FT.	2.80	4.20
ROUND STEEL, 1/2" x 0.67 ⁹ /FT.	1.00	0.67
ROUND STEEL, 3/8" x 0.36 ⁹ /FT.	0.33	0.12
STEEL PIPE, 3/4" I.D. x 1 1/2" O.D. x 2.67 ⁹ /FT.	0.33	0.89
FLAT STEEL, 1/2" x 3" x 5.1 ⁹ /FT.	4.00	20.40
FLAT STEEL, 1/2" x 3 1/2" x 2.98 ⁹ /FT.	1.66	4.95 *
TOTAL WEIGHT - 525.62 LBS. *		

Ⓢ IMPORTANT NOTE: AFTER THE WINCHING CABLE HAS BEEN INSTALLED, THE LIFTING CAPACITY CAN BE INCREASED BY LENGTHENING CHAIN BETWEEN THE RETAINING SLOTⓈ AND THE TURNBUCKLE. HOWEVER, THIS ADJUSTMENT DECREASES THE CLEARANCE OF THE TINES DURING TRANSPORT.



TURNBUCKLE DETAIL

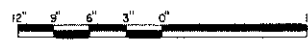


INSTRUCTIONS FOR CABLE INSTALLATION (SEE DIAGRAM)

- WINCHING CABLE (A)
- LOWER LIFT ARMS SUCH THAT HITCH POINT (B) IS 12" ABOVE GROUND.
- INSERT TURNBUCKLE CHAIN (C) IN SLOT (D) AS NEAR TO THE TURNBUCKLE AS POSSIBLE AND SECURE SAFETY PIN (E) (SEE NOTE (S)).
- SECURE ON END OF CABLE TO EYE (F) ON DRAWBAR ASSEMBLY (G) AND PROCEED TO INSTALL CABLE AS SHOWN.
- LOOP FREE END OF CABLE AROUND MAST CABLE PIN (H) AND PULL CABLE TANT WITH TINES (I) REMAINING HORIZONTAL. ALLOW 4-6 INCHES OF SLACK IN CABLE AND SECURE TO MAST CABLE PIN. THIS IS TO ALLOW EASY ATTACHMENT OF DRAWBAR ASSEMBLY DURING HITCHING.
- LEAVE 6-9 INCHES OF EXCESS CABLE FOR POSSIBLE ADJUSTMENTS SECURING THE FREE END WITH TAPE.

OTHER MATERIALS NEEDED

- 1) 2-15" WHEELS CENTERED ON AXLE.
- 2) 1 1/2" STEEL CHAIN, 24" LONG.
- 3) 1 1/2" DIA STEEL CABLE, 14' LONG.
- 4) 1/2" x 3" O.D. CABLE SHEAVES W/ 1/2" BORE.
- 5) 2- CABLE CLAMPS.



COOPERATIVE EXTENSION WORK IN AGRICULTURE AND HOME ECONOMICS

AND UNITED STATES DEPARTMENT OF AGRICULTURE COOPERATING

LARGE BALE TRANSPORTER FOR SMALL TRACTORS w/ 3 PT. HITCH

KY. '77 6291 SHEET 2 OF 2

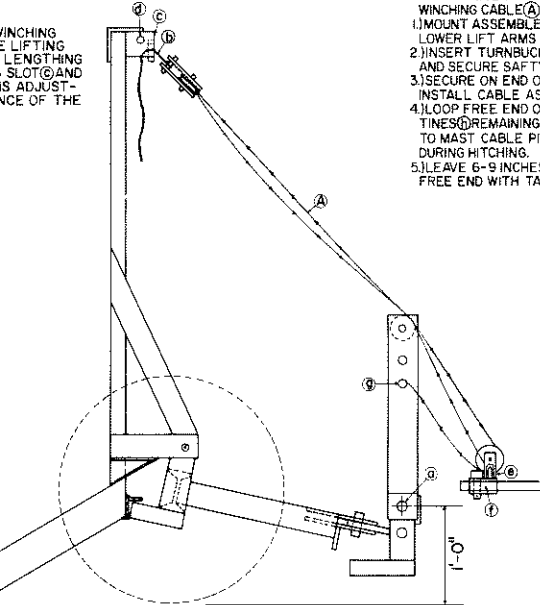


DIAGRAM FOR CABLE INSTALLATION & TRACTOR HOOK-UP
N.T.S.