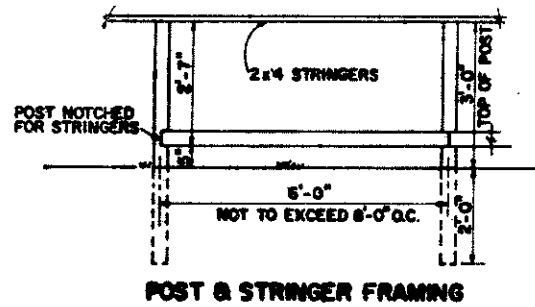
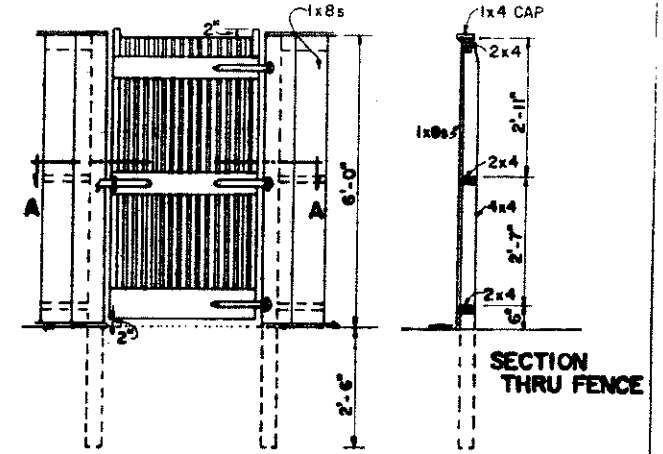


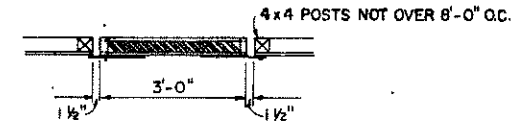
GATE



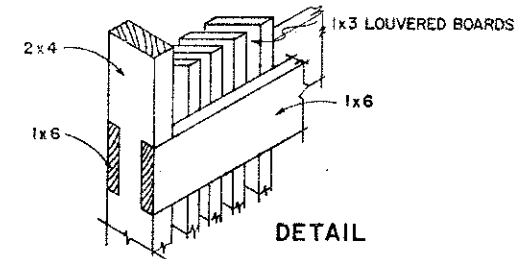
POST & STRINGER FRAMING



LOUVERED GATE



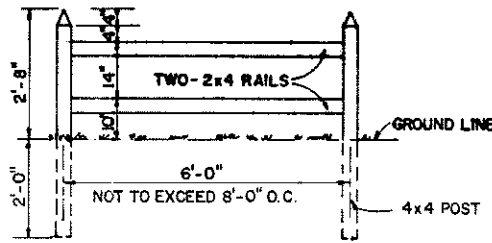
SECTION "A-A"



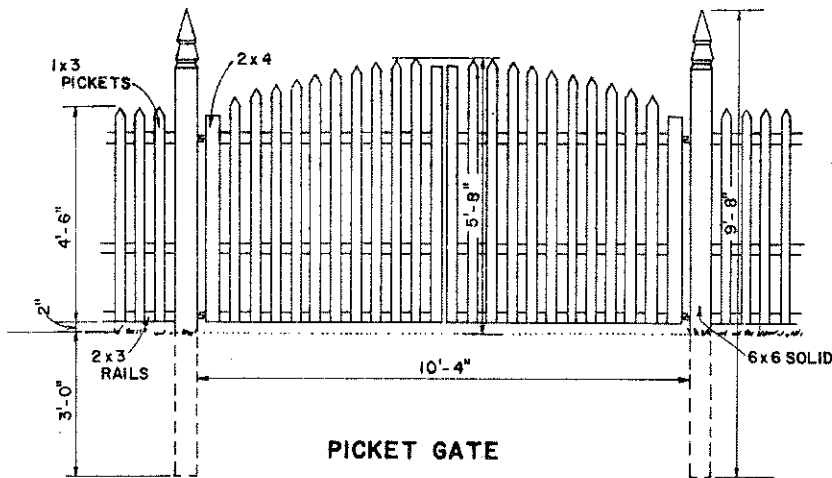
DETAIL



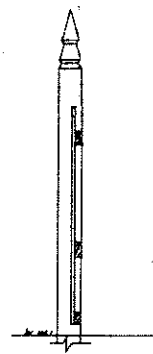
PATTERNS FOR PICKET TOPS



STRETCHER FENCE



PICKET GATE



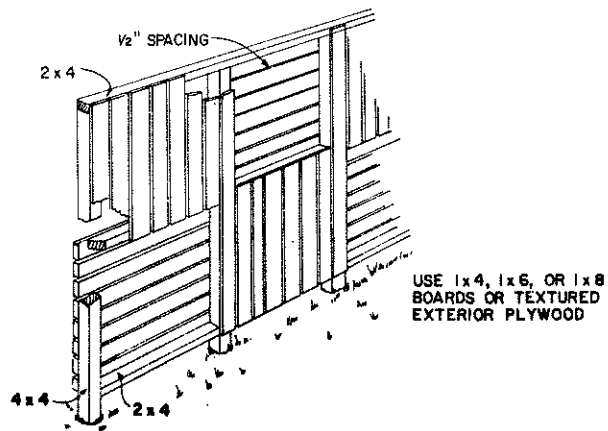
SECTION THRU FENCE

COOPERATIVE EXTENSION WORK IN
AGRICULTURE AND HOME ECONOMICS

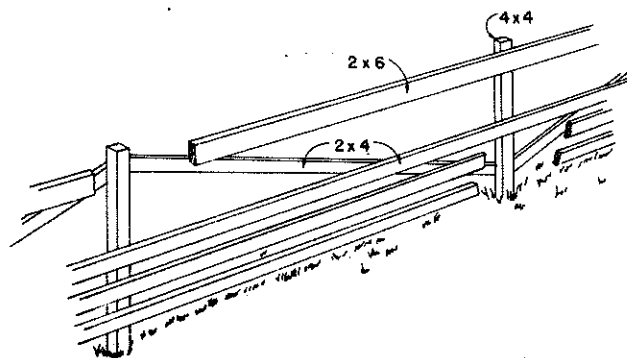
AND
UNITED STATES DEPARTMENT OF AGRICULTURE COOPERATING

TYPES OF WOOD FENCING

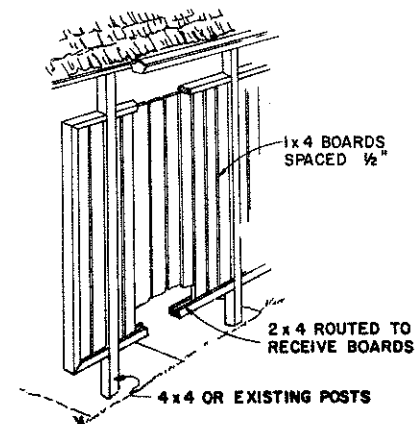
USDA '77 6286 SHEET 1 OF 2



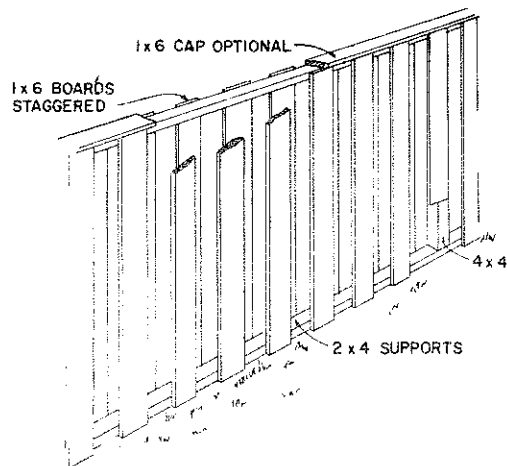
NOVELTY PATTERN



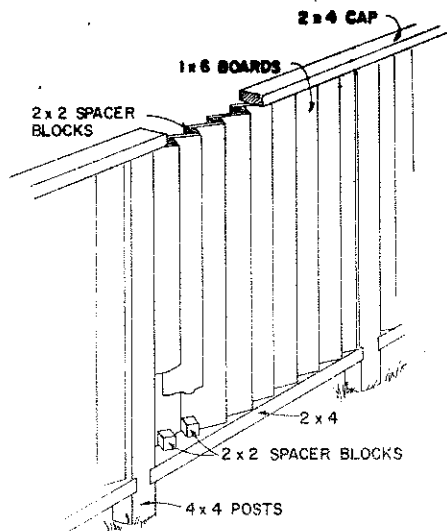
LOW RAIL FENCE



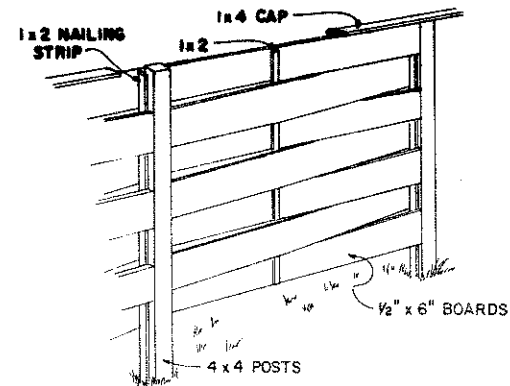
PRIVACY SCREEN



ALTERNATE BOARD FENCE



LOUVERED FENCE



BASKET WEAVE FENCE

NO SCALE

COOPERATIVE EXTENSION WORK IN
AGRICULTURE AND HOME ECONOMICS

AND
UNITED STATES DEPARTMENT OF AGRICULTURE COOPERATING

TYPES OF WOOD FENCING

USDA '77 6286 SHEET 2 OF 2