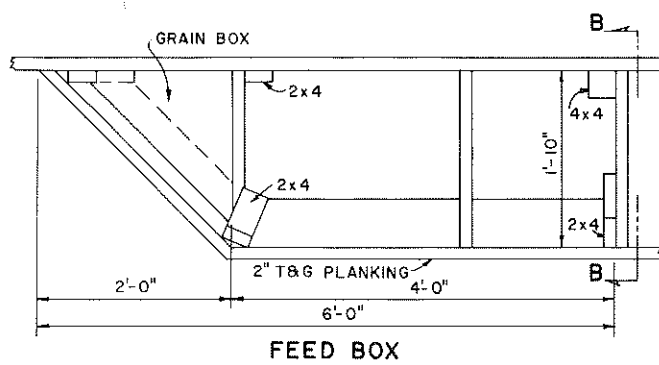
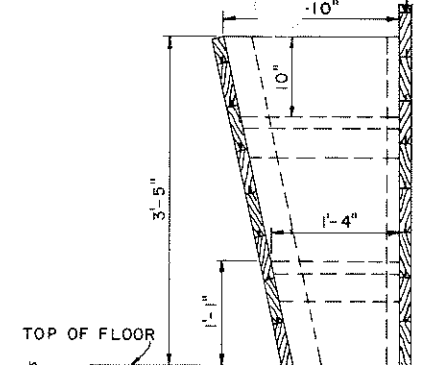


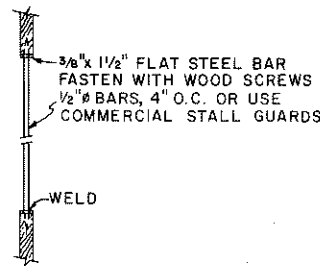
PLAN



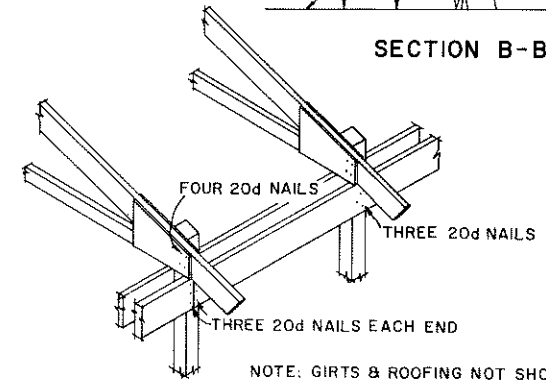
FEED BOX



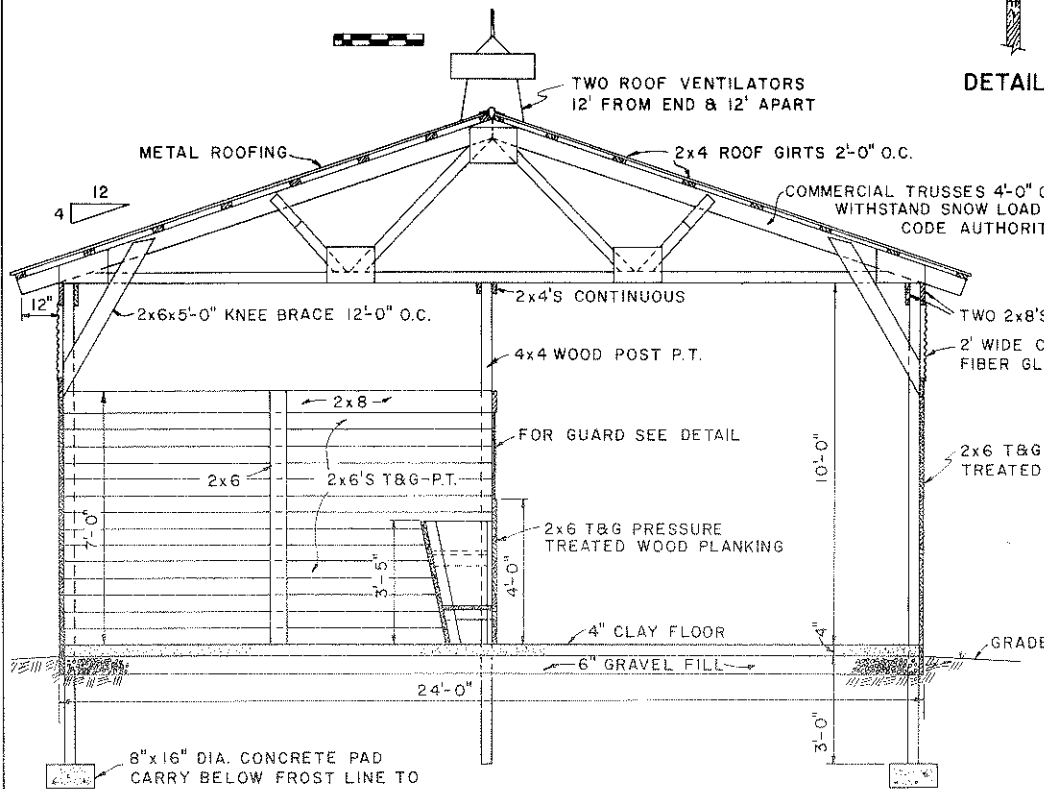
SECTION B-B



DETAIL OF STALL GUARD

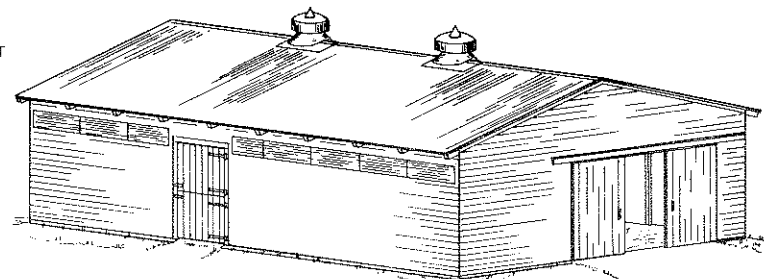


ISOMETRIC VIEW



SECTION-A-A

NOTE: CONSULT LOCAL HEALTH AND BUILDING CODE AUTHORITIES BEFORE STARTING CONSTRUCTION.



ISOMETRIC VIEW

COOPERATIVE EXTENSION WORK IN AGRICULTURE AND HOME ECONOMICS

AND UNITED STATES DEPARTMENT OF AGRICULTURE COOPERATING

HORSE BARN
POST CONSTRUCTION

BASED ON: MICH. STATE UNIV.
PLAN NO. 772-C1-14

MICH. '77 6275 SHEET 1 OF 1