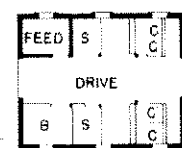


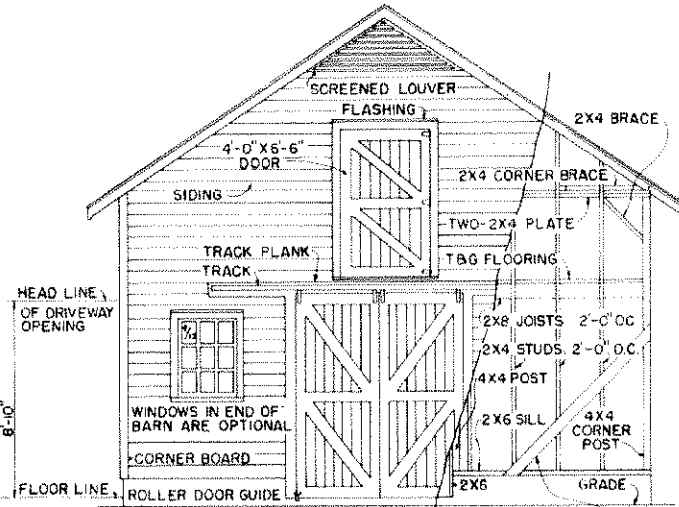
SIDE ELEVATION & PARTIAL FRAMING



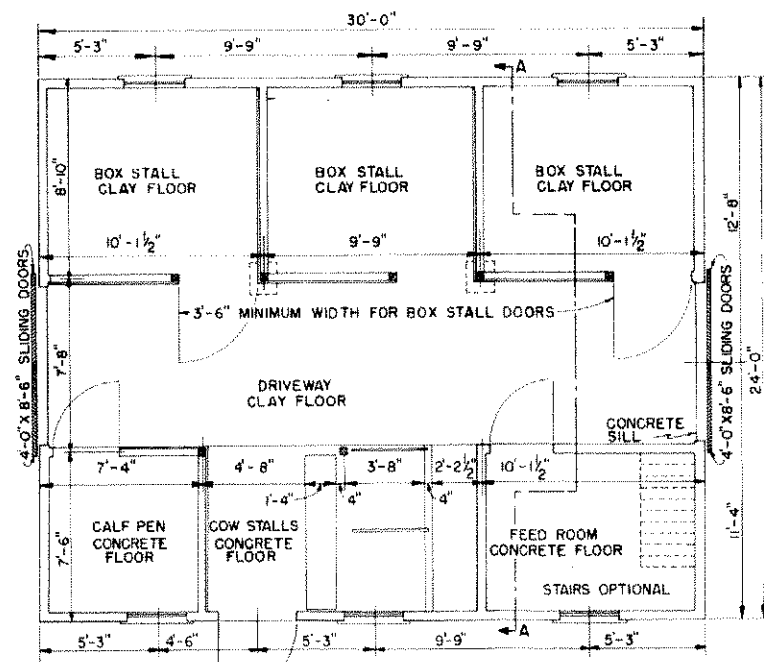
ALTERNATE FLOOR PLANS

SCALE: 1/16" = 1'-0"

B BOX STALLS
C COW STALLS
S CALF PENS



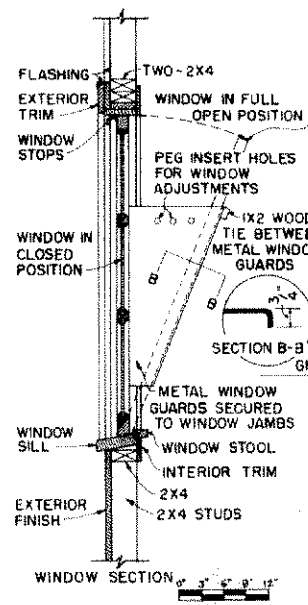
END ELEVATION & PARTIAL FRAMING



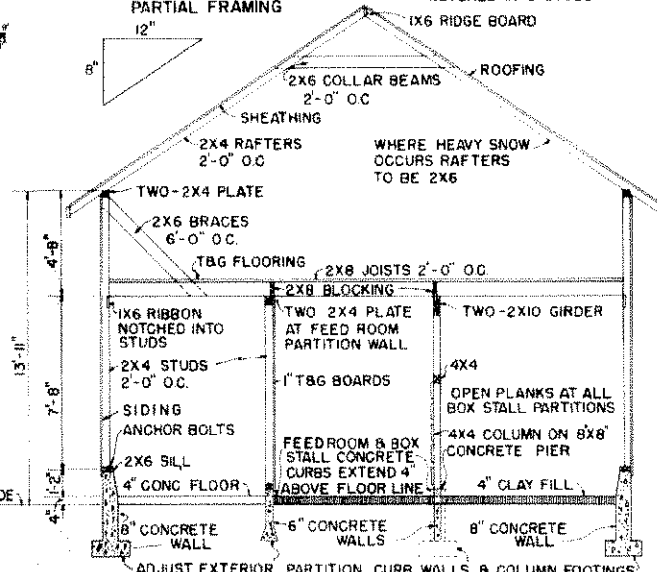
PLAN

NOTE: CONSULT LOCAL BUILDING CODE AUTHORITIES BEFORE STARTING CONSTRUCTION.

BASED ON: N.C. STATE UNIV. PLAN NO. 5556



NOTE: WINDOW AT HORSE STALLS TO BE TWO LIGHTS HIGH WITH TOP OF SASH 8'-0" ABOVE FLOOR.



SECTION A-A

NOTE: FOR LARGE HORSES INCREASE SIZE OF STALLS. 2" PLANK 5'-0" ABOVE FLOOR ON EXTERIOR WALLS AT HORSE STALLS.

COOPERATIVE EXTENSION WORK IN AGRICULTURE AND HOME ECONOMICS