

REINFORCED CONCRETE SLAB

- BILL OF MATERIALS**
- FOUNDATION: MIX-1:2 1/4:3
 CEMENT 2 SACKS
 SAND 4 2/3 CU. FT.
 GRAVEL 7 1/2 CU. FT.
 STEEL RODS 4 PCS. 3'-10" x 3/8" ø
 3 PCS. 5'-10" x 3/8" ø

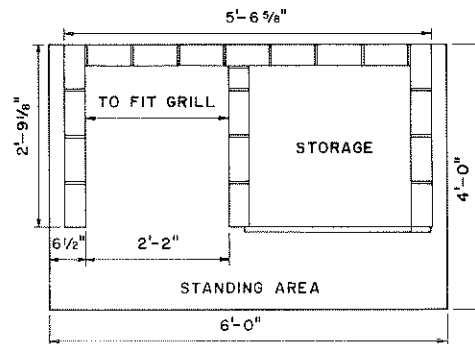
- BRICK:**
 360 COMMON

- MORTAR:** MIX-1:3
 CEMENT 1 SACK
 SAND 3 CU. FT.

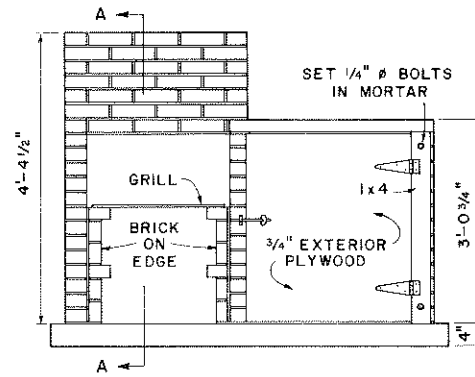
- HARDWARE:**
 2 BOLTS 3 1/2" x 1/4" ø
 2 HINGES 6"
 1 HOOK, DOOR
 1 GRILL

- LUMBER:**
 1 PC. 1x4 x 3'-0"
 1 PC. 3/4" EXT. PLYWOOD 2'-6" x 2'-10"

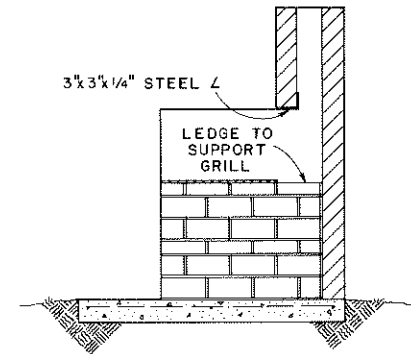
NOTE:
 ONE 3x3x1/4x2'-8" STEEL ANGLE
 FOR FLUE, CONSULT LOCAL BUILDING
 CODE AUTHORITIES BEFORE STARTING
 CONSTRUCTION.



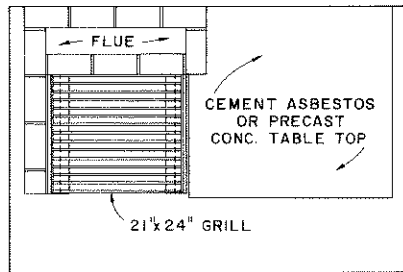
GROUND PLAN



FRONT ELEVATION



SECTION A-A



PLAN AT WORKING LEVEL



COOPERATIVE EXTENSION WORK IN AGRICULTURE AND HOME ECONOMICS		
AND UNITED STATES DEPARTMENT OF AGRICULTURE COOPERATING		
BARBECUE PIT		
USDA '76	6258	SHEET 1 OF 1

BASED ON: TEXAS A & M UNIV. PLAN NO. 392