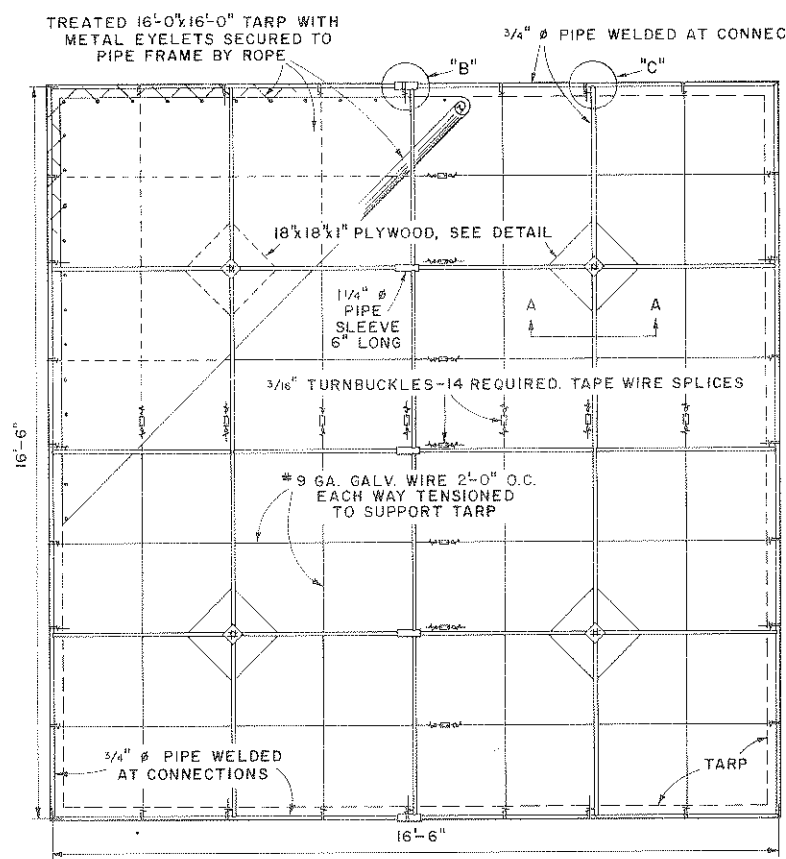


ISOMETRIC VIEWS

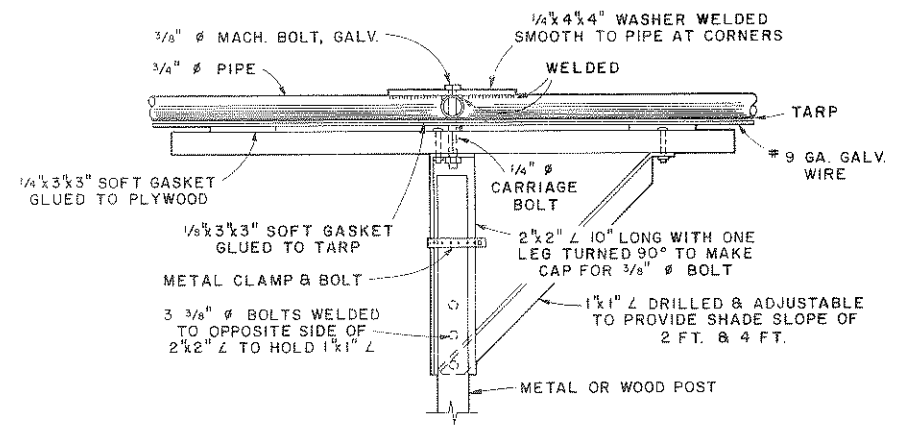
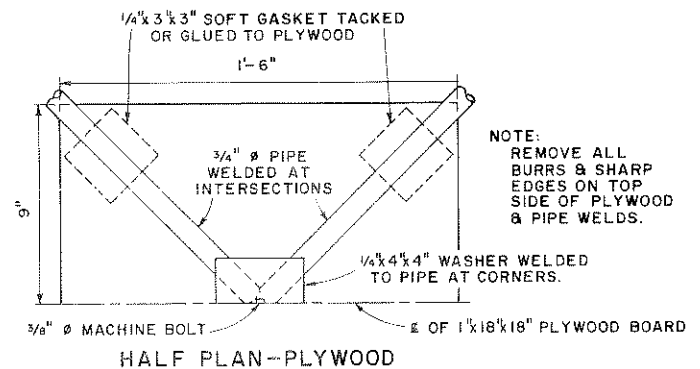


PLAN OF FRAME

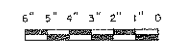


ERECTION

ASSEMBLE FRAME, TARP & #9 GA. WIRE 2'-0"x2'-0" GRID. LOCATE (±1") POSTS & SET FOR DESIRED SLOPE OF TARP. LOOSELY CLAMP CAPS ON POSTS. SET TARP & FRAME ON CAPS, BOLT PIPE FRAME TO CAPS, THEN PULL CAP DOWN ON POST & TIGHTEN CLAMP. CHECK TARP DIMENSIONS UNDER TENSION WHILE WARM BEFORE WELDING FIRST EXPERIMENTAL FRAME TO 16'-6". LEAVE NO SHARP KINKS IN NO. 9 WIRE GRID TO INJURE TARP.



SECTION A-A



COOPERATIVE EXTENSION WORK IN AGRICULTURE AND HOME ECONOMICS		
AND UNITED STATES DEPARTMENT OF AGRICULTURE COOPERATING		
TARP HOG SHADE		
USDA '76	6257	SHEET 1 OF 1