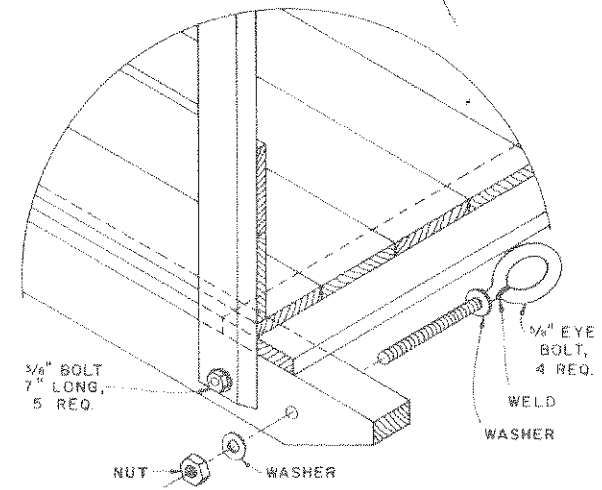
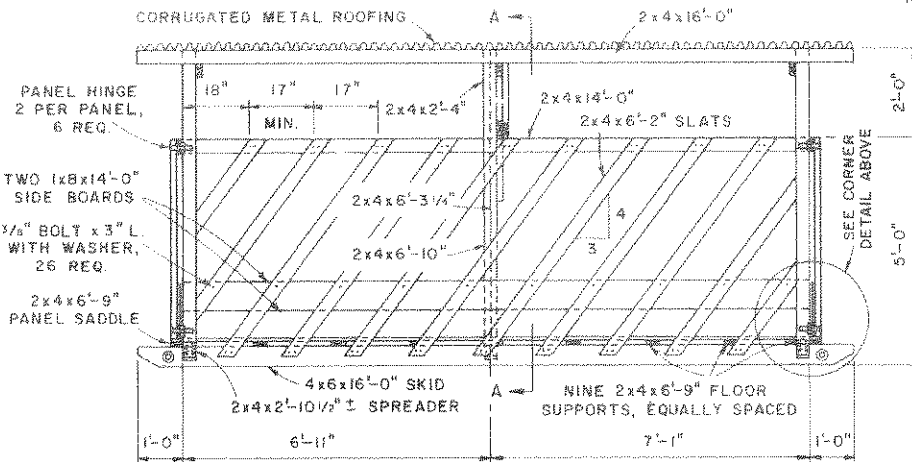


PLAN

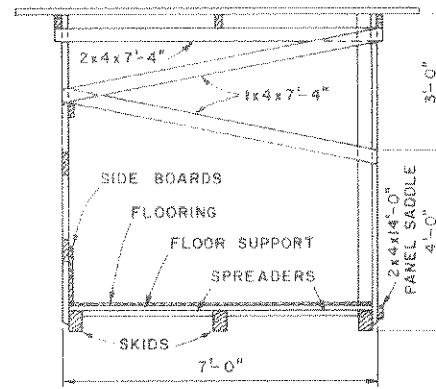


CORNER DETAIL  
NOT TO SCALE

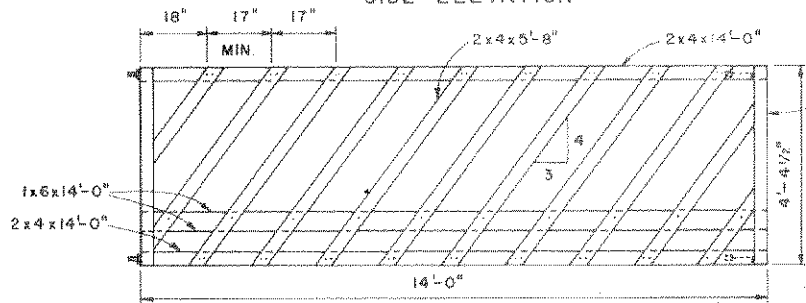
NOTE:  
FEEDER DESIGN FOR TWO  
BALES OF MAX. SIZE 6'  
LENGTH, 6" DIAMETER. FOR  
SINGLE BALE FEEDER, BUILD  
TO ONE-HALF THE LENGTH  
ALL WOOD TO BE PRESSURE-  
TREATED. NAILS AND BOLTS  
SHOULD BE GALVANIZED OR  
COATED.  
FEEDER DESIGNED FOR SIDE  
OR END LOADING.  
FEEDER CAN ALSO BE USED  
FOR CONVENTIONAL BALES  
HANDLED IN BULK.



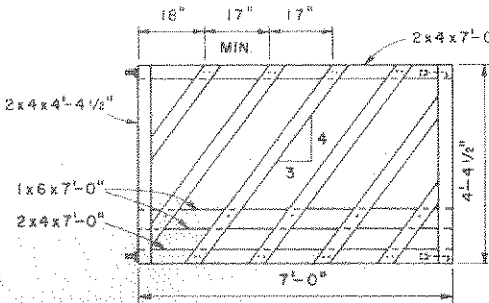
SIDE ELEVATION



SECTION "A-A"



SIDE PANEL



END PANEL  
2 REQ.

MATERIAL LIST:

- 3-4x6x16'-0" SKIDS.
  - 12-1x8x14'-0" BUNK.
  - 4-1x6x14'-0" BUNK.
  - 1-1x4x8'-0" BRACE.
  - 5-2x4x16'-0" PURLINS, BRACE, RAFTERS.
  - 14-2x4x14'-0" SIDE PANEL FRAME, FLOOR JOISTS, POSTS.
  - 15-2x4x12'-0" SLATS
  - 5-2x4x10'-0" END PANEL FRAME
  - 2 2x4x14'-0" PANEL SADDLES
- HARDWARE:
- 9x16' CORRUGATED METAL ROOF & NAILS
  - 5-1/2"x7" BOLTS WITH WASHERS AND NUTS
  - 6-PANEL HINGES WITH SCREWS.
  - 6-STEEL HOOKS AND STAPLE PLATES.
  - 4-1/2" EYE BOLTS WITH WASHERS AND NUTS.
  - 26-1/8"x3" BOLTS WITH WASHERS AND NUTS.
- NAILS-8d, 10d, 20d.



COOPERATIVE EXTENSION WORK IN  
AGRICULTURE AND HOME ECONOMICS

AND  
UNITED STATES DEPARTMENT OF AGRICULTURE COOPERATING

**PORTABLE FEEDER  
FOR BIG BALES**

W. VA. '76	6249	SHEET 1 OF 1
------------	------	--------------