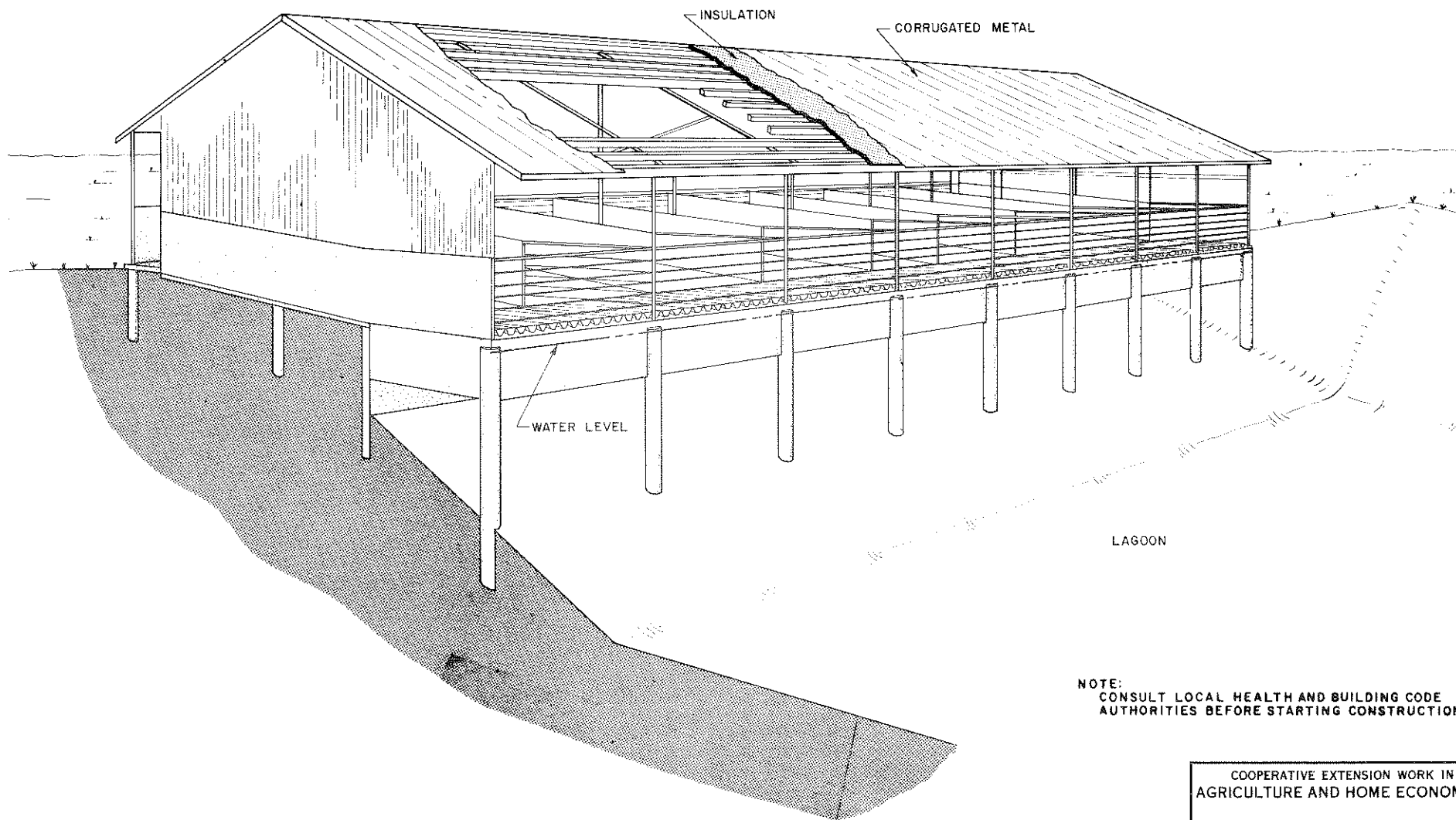


NOTE:

When Building Or Enlarging A Confinement Swine System You Are Encouraged To Employ A Registered Consulting Agricultural Engineer. The Engineering Consultant Will Be Concerned With Providing The Best System Designed For Your Specific Needs.



NOTE:
CONSULT LOCAL HEALTH AND BUILDING CODE
AUTHORITIES BEFORE STARTING CONSTRUCTION

COOPERATIVE EXTENSION WORK IN
AGRICULTURE AND HOME ECONOMICS

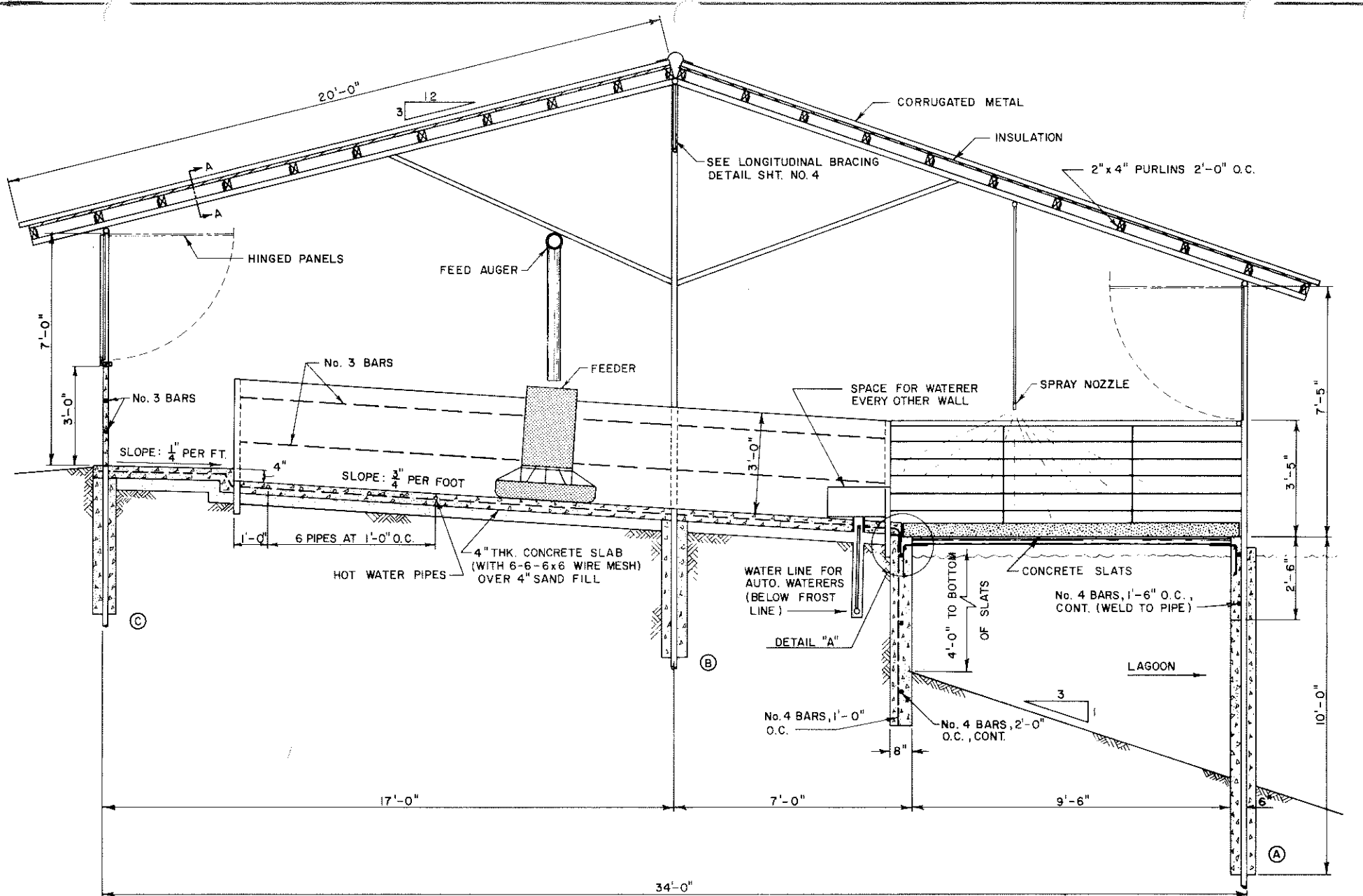
AND
UNITED STATES DEPARTMENT OF AGRICULTURE COOPERATING

FINISHING HOUSE FOR SWINE

OK. '76 6246 SHEET 1 OF 4

BASED ON: OKLA. STATE UNIV.
PLAN NO. OK-726-22

SWINE



NOTES:

1. All Pipe is 2" Dia. (Nominal) Schedule 40 Or Equivalent, Free Of Corrosion And Deep Rust Pits.
2. Key All Poles To Concrete By Welding Steel To The Section Of The Pole That Will Be Imbedded.
3. Retaining Wall, Piers & Slat-Support Beam May Be Formed By Trenching & Drilling If Soil Condition Permits.
4. Concrete Slats May Be Homemade Or Purchased Precast. When Using Ready-Mix Concrete, Specify: 7.5 Bag Mix (2 To 3 Inch Slump), Maximum Aggregate Size Of $\frac{1}{2}$ ", Air Entrained Cement & A 28-Day Strength Of 5,000 PSI.
5. Concrete Partition = 3'-0" High x 2 $\frac{3}{8}$ " Thick.
6. For Hot Water Floor Heat Use $\frac{3}{4}$ " Dia. PVC (Rated For 160°F Water Temperature), Black Iron Or Copper Pipe. Do Not Use Black Polyethylene Plastic Or Galvanized Steel.
7. Limit Circuit (Hot Water) Length To Approx. 200 Feet. For Buildings Over 100 Feet Long, Locate Hot Water System In Center Of Building & Run Circuits Each Direction.
8. Space Pipes 12" Apart And Cover With 2 To 3 Inches Of Concrete. Place The Pipes On & Fasten Them To The Reinforcing Mesh To Prevent Them From Floating To The Surface.
9. Provide 50 BTU / Hour Per Foot Of Pipe. The Pump On The Return Manifold Should Circulate 1 Gallon Per Minute For Each 5,000 BTU / Hour.
10. Provide An Air Expansion Tank With A Capacity Of 8 To 10 Gallons For Each 100 Gallons Of Water In The Pipes & Heater. About 40 Feet Of $\frac{3}{4}$ " Dia. Pipe Will Hold One Gallon.

CROSS SECTION



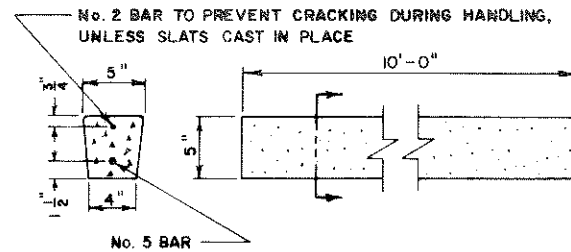
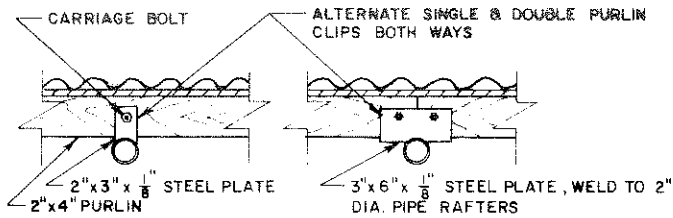
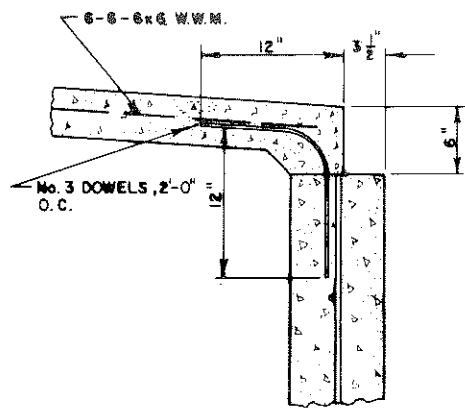
COOPERATIVE EXTENSION WORK IN
AGRICULTURE AND HOME ECONOMICS

AND
UNITED STATES DEPARTMENT OF AGRICULTURE COOPERATING

FINISHING HOUSE FOR SWINE

OK. '76 6246 SHEET 2 OF 4

SUNDRY

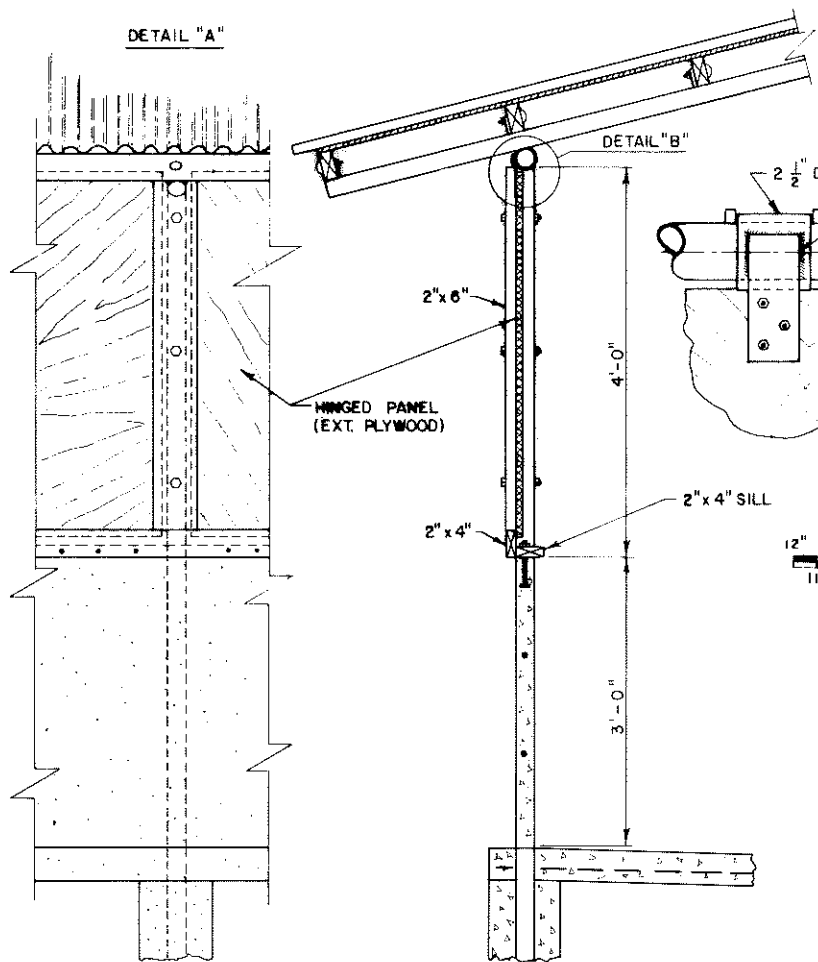


SECTION A-A

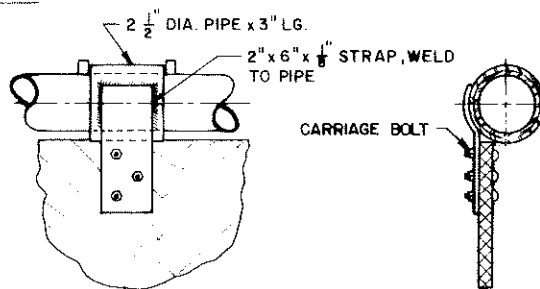


CONCRETE SLAT DETAILS

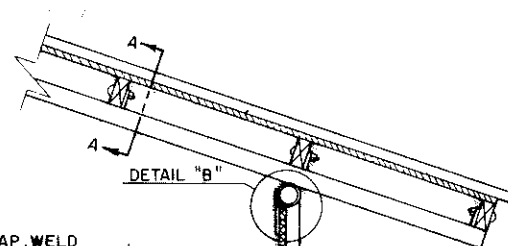
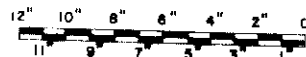
DETAIL "A"



DETAIL "B"



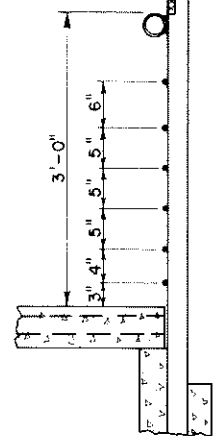
DETAIL "B"



HINGED PANEL (EXT. PLYWOOD)

2" DIA. PIPE

SUCKER ROD



WALL SECTIONS



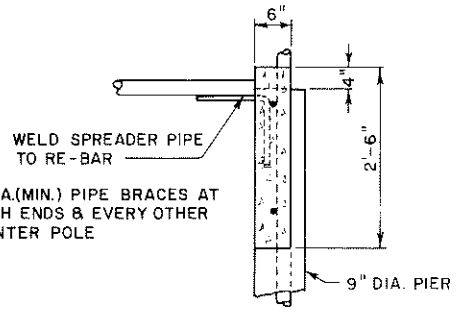
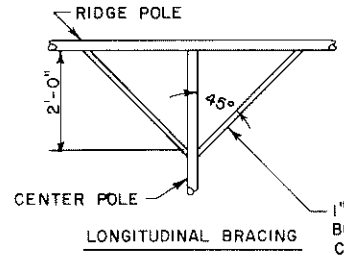
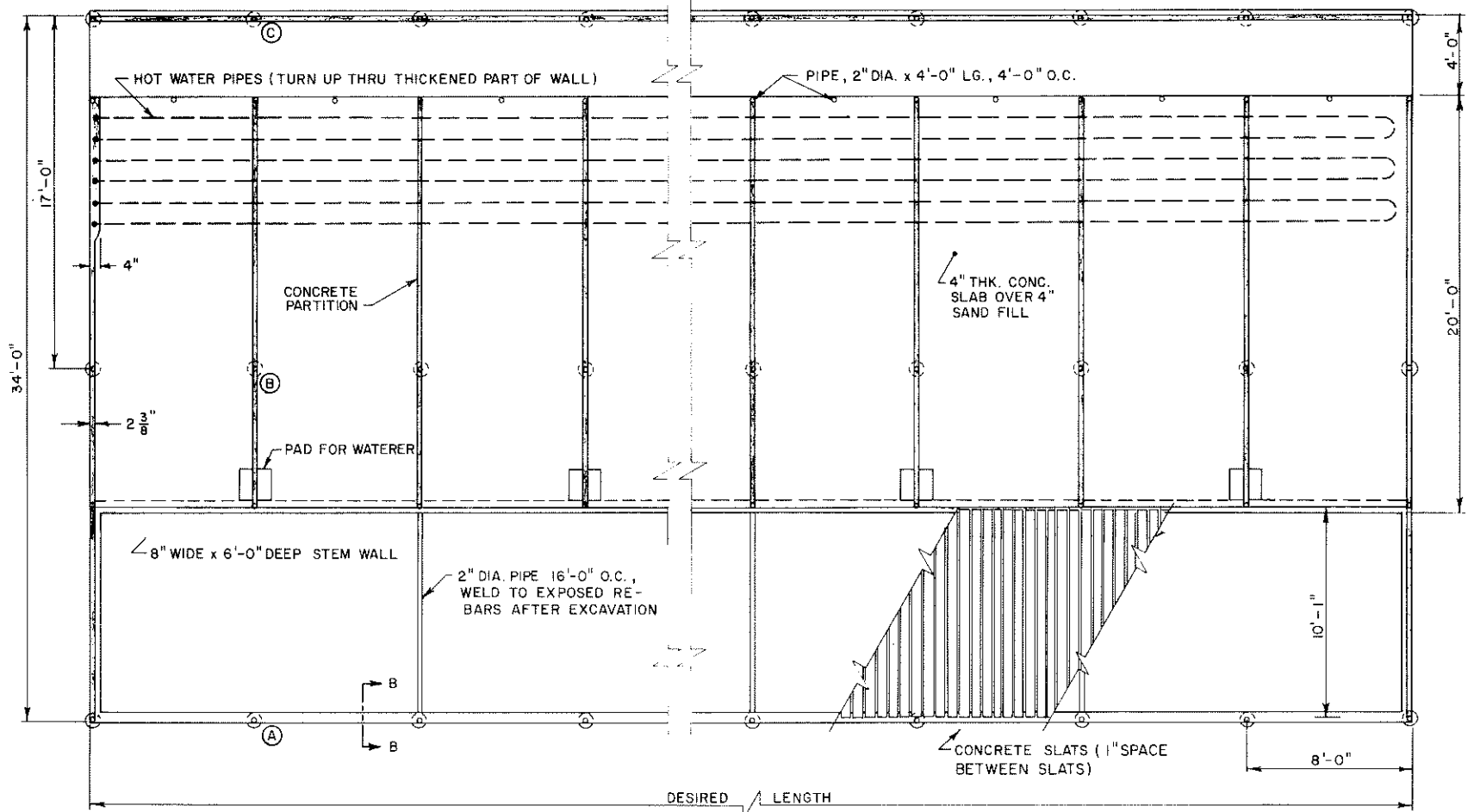
COOPERATIVE EXTENSION WORK IN
 AGRICULTURE AND HOME ECONOMICS

AND
 UNITED STATES DEPARTMENT OF AGRICULTURE COOPERATING

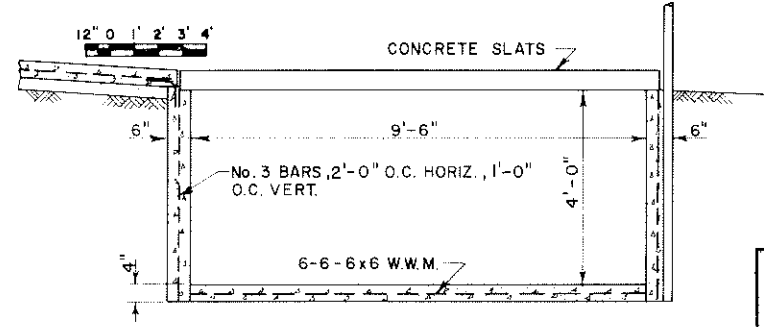
FINISHING HOUSE FOR SWINE

OK. '76 6246 SHEET 3 OF 4

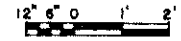
STANDARD



FLOOR PLAN



PIER SCHEDULE:
 A = 9" DIA. x 10'-0" DP.
 B = 9" DIA. x 4'-0" DP.
 C = 9" DIA. x 4'-0" DP.



COOPERATIVE EXTENSION WORK IN AGRICULTURE AND HOME ECONOMICS		
AND UNITED STATES DEPARTMENT OF AGRICULTURE COOPERATING		
FINISHING HOUSE FOR SWINE		
OK.	'76	6246 SHEET 4 OF 4

S. J. ...