

ELEVATION

TABLE OF SIZES FOR TRUSS MEMBERS -

ROOF SLOPE	TOP RISE	CHORD	(A)	(B)	(C)	W1	W2	W3
4/12	6'-0"	20'	16" x 11"	16" x 10"	10" x 10"	2" x 4"	2" x 6"	2" x 4"

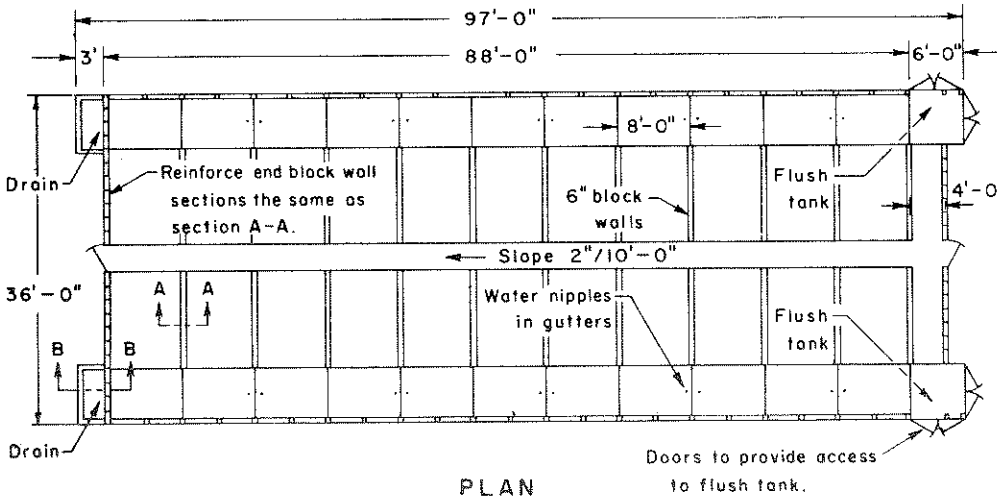
NOTE: Gussets A, B, and C are 3/8" thick plywood.

NOTE:
CONSULT LOCAL HEALTH AND BUILDING CODE
AUTHORITIES BEFORE STARTING CONSTRUCTION

Capacity 132 sows
@ 6 sows per pen.

Winter ventilation note:

- locate fans on south or east side
 - fan 1 - 1500 cfm set thermostat at 35°
 - fan 2 - 1500 cfm set thermostat at 50°
 - fan 3 - 1500 cfm set thermostat at 60°
 - fan 4 - 1500 cfm set thermostat at 70°
- Open building for summer ventilation.



PLAN

OPEN GUTTER FLUSH SYSTEM

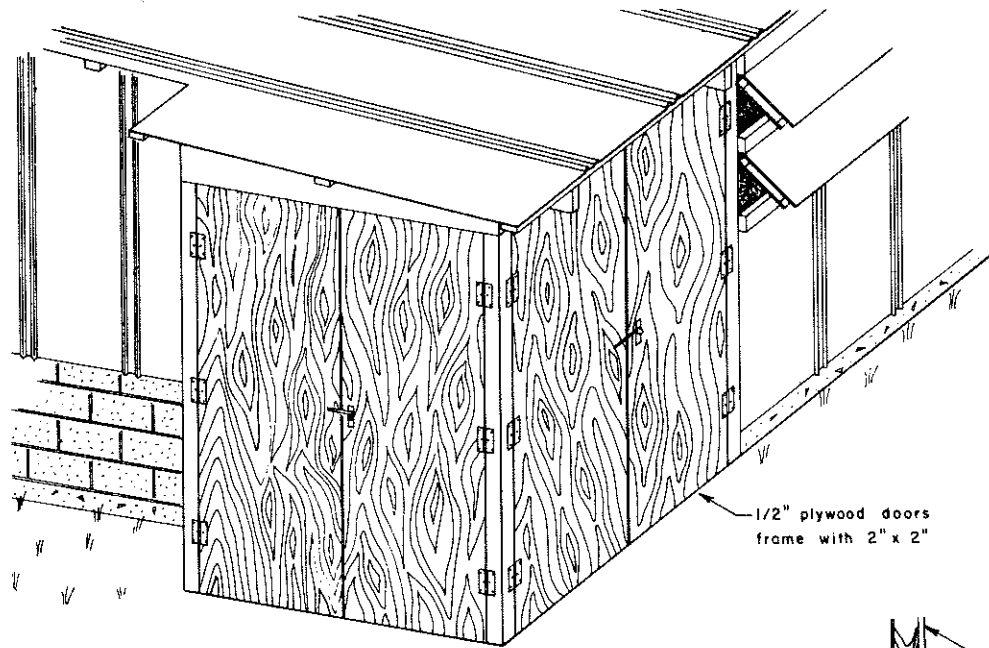
BASED ON: UNIV. OF MD. PLAN 75-1-6

COOPERATIVE EXTENSION WORK IN
AGRICULTURE AND HOME ECONOMICS

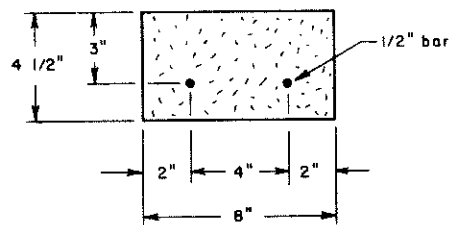
AND
UNITED STATES DEPARTMENT OF AGRICULTURE COOPERATING

GESTATION HOUSE

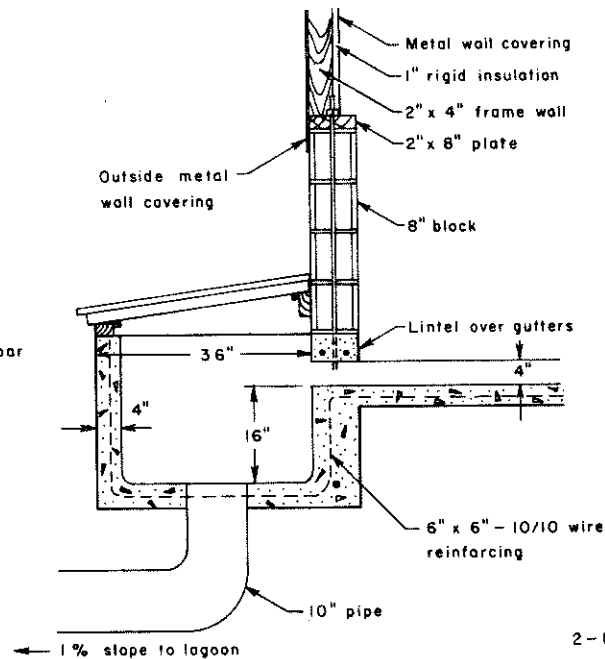
MD. '76 6 2 4 0 SHEET 1 OF 2



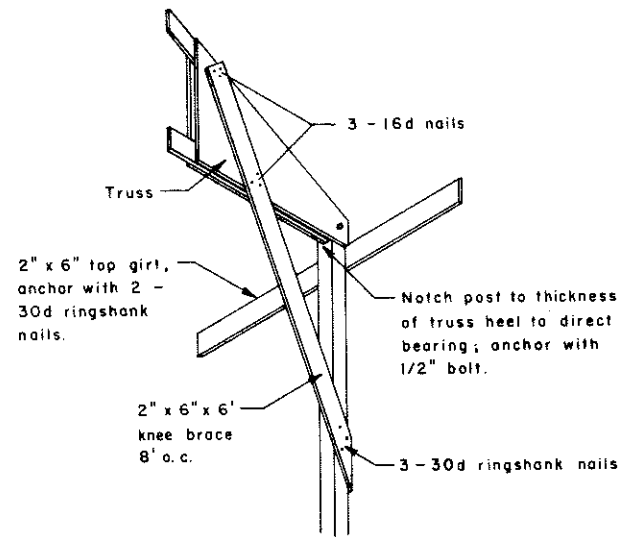
Flush annex walls can be of doors shown or other removable panels to allow access to tank.



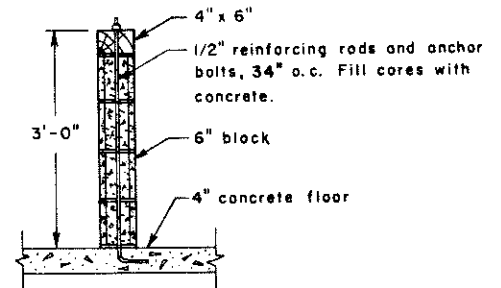
Precast lintel



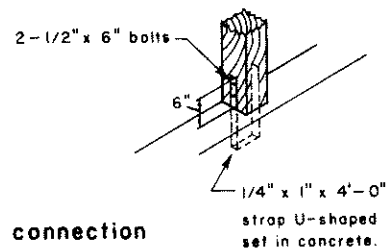
Section BB



Knee detail



Section A A



Post connection
NO SCALE

COOPERATIVE EXTENSION WORK IN AGRICULTURE AND HOME ECONOMICS		
AND UNITED STATES DEPARTMENT OF AGRICULTURE COOPERATING		
GESTATION HOUSE		
MD. '76	6 2 4 0	SHEET 2 OF 2