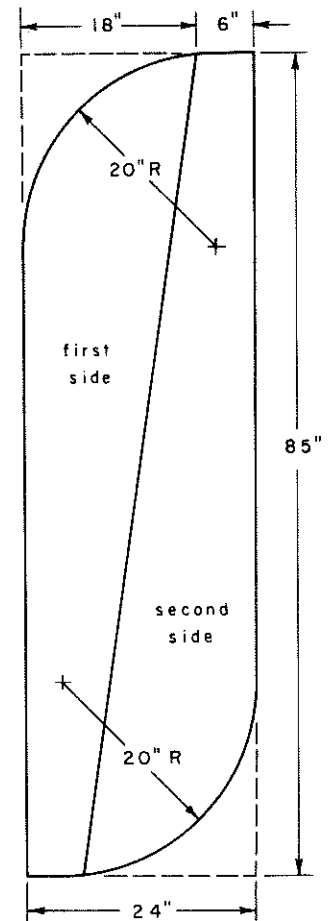
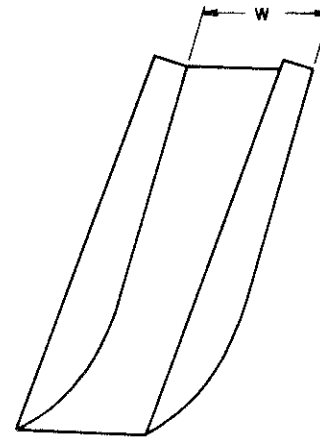


C. Flush tank detail

VARIABLE DIMENSIONS

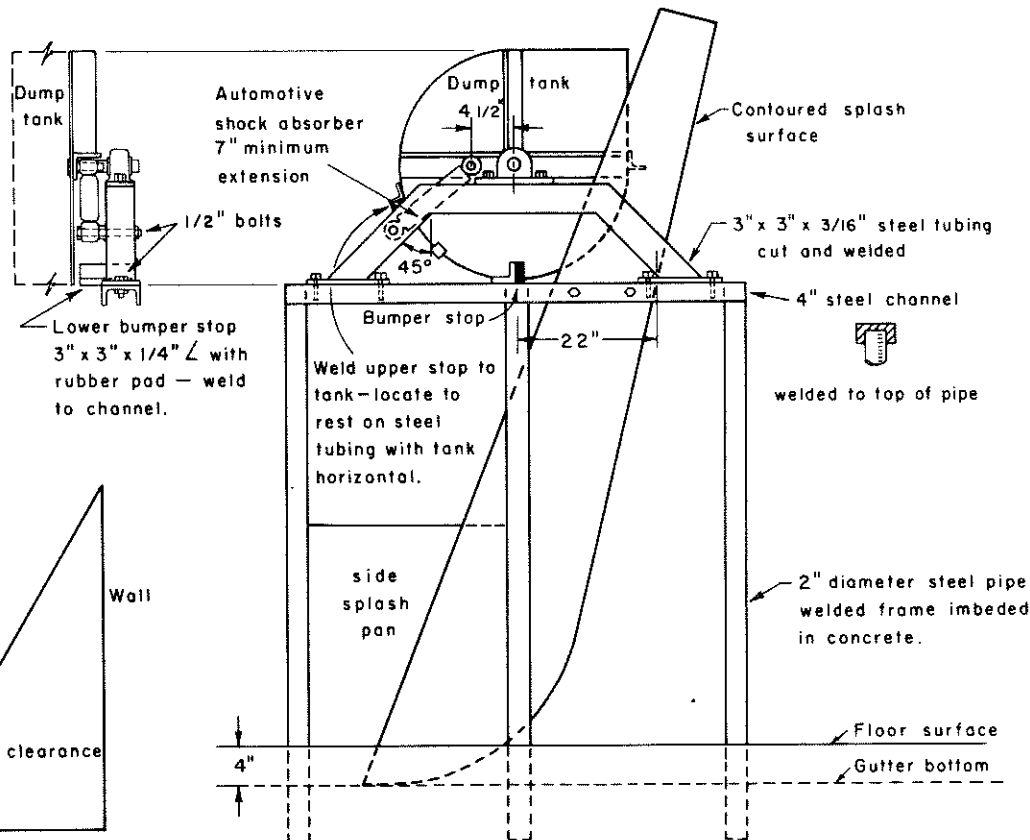
Gutter width, feet	4	5	6
Tank width, inches	41	53	65
Back splash width, inches	47	59	71
Flush volume, gallons	180	230	280
Counterbalance, pounds	95	119	144

D. Splash surface

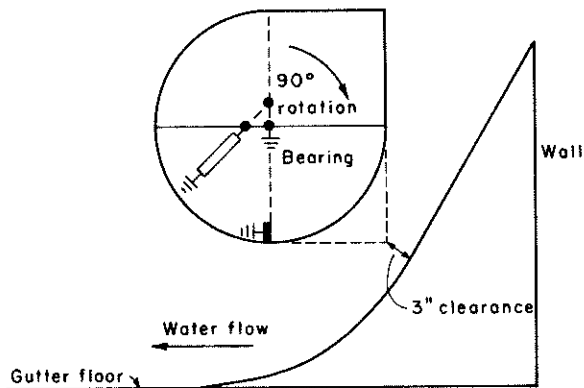


E. Cut out pattern for splash surface

F. Detail shock absorber mount - two required.



A. Assembly



B. Dumping mode

BASED ON: UNIV. OF MD.  
PLAN 75-1-4

COOPERATIVE EXTENSION WORK IN  
AGRICULTURE AND HOME ECONOMICS

AND  
UNITED STATES DEPARTMENT OF AGRICULTURE COOPERATING

CIRCULAR FLUSH TANK  
SELF-DUMPING

MD. '76 6 2 3 8 SHEET 1 OF 1