

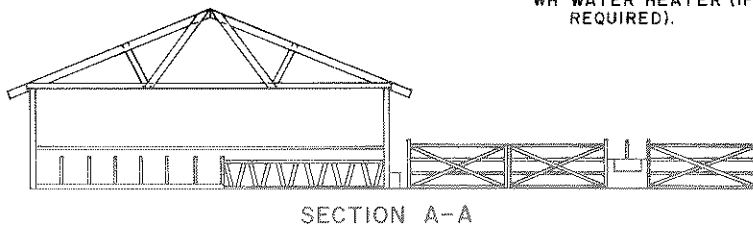
LEGEND

- I. PROVIDE HEATING IN THIS AREA.
- * ADJUST STALL WIDTHS TO SPACE AVAILABLE.
- ** ONE STALL MAY BE MADE WIDER FOR BULL.
- W WATERER
- S SINK
- R REFRIGERATOR
- E ELECTRIC FENCE LINE
- H HAY FEEDERS
- SL CALF STANCHION LINE
- DD DUTCH DOOR (ALTERNATE-SLIDING DOORS SEE SHEET NO. 5.
- F FAN
- WH WATER HEATER (IF REQUIRED).

NOTE:
CONSULT LOCAL HEALTH AND BUILDING CODE
AUTHORITIES BEFORE STARTING CONSTRUCTION.

BASED ON: UNIV. OF MAINE PLAN NO.
36814, 15, 16, 17, 18, 20 & 21.

AREA	NO HEAD	STALLS *	AGE
(A)	9	CRATES	0-3 MONTHS (NOTE-1)
(B)	6	2'-0" x 4'-0"	4-5 MONTHS
(C)	6	2'-4" x 4'-6"	6-8 MONTHS
(D)	16	3'-0" x 5'-6"	9-15 MONTHS
(E)**	18	3'-3" x 6'-0"	16-20 MONTHS
(F)	16	3'-6" x 6'-6"	21-24 MONTHS
(G)	15	3'-9" x 7'-0"	DRY COWS



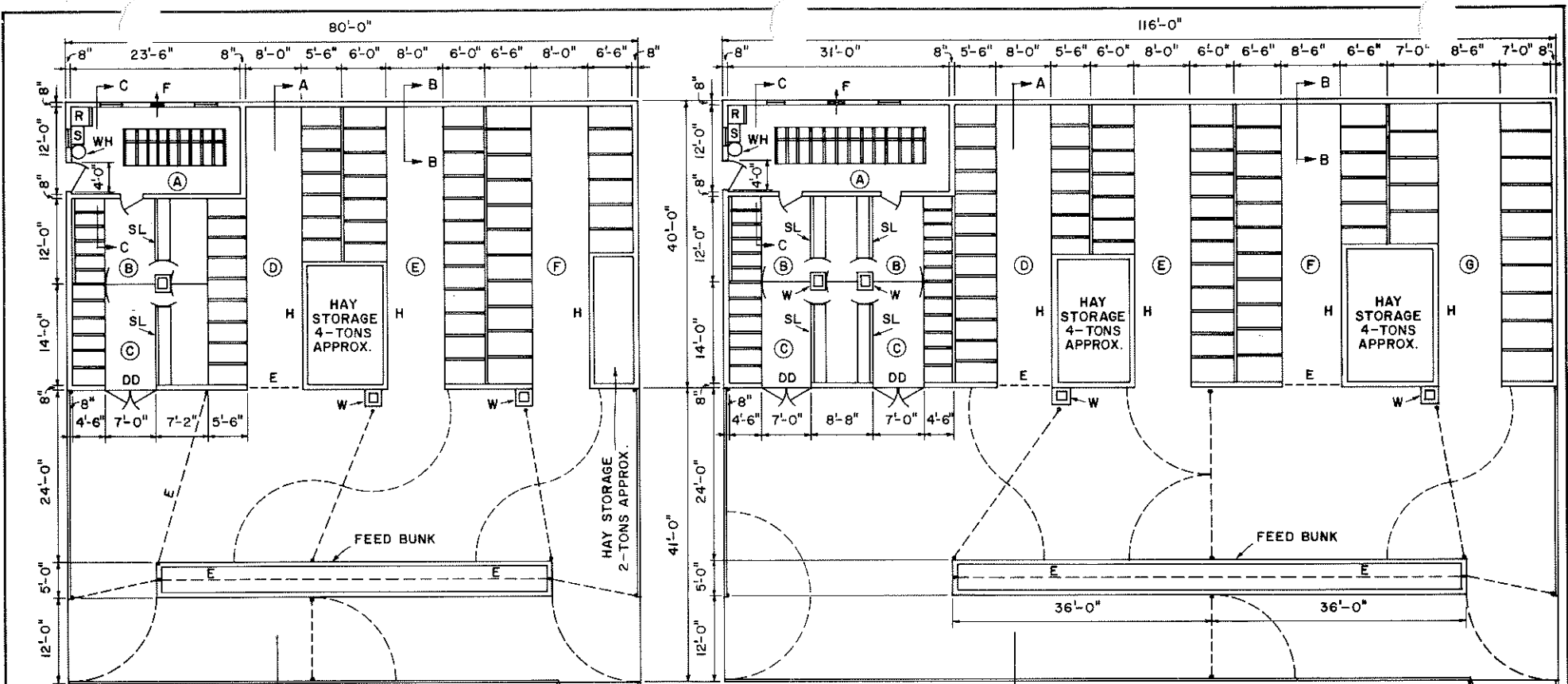
AREA	NO. HEAD	STALLS *	AGE
(A)	6	CRATES	0-3 MONTHS (NOTE-1)
(B)	6	2'-0" x 4'-0"	4-5 MONTHS
(C)	6	2'-4" x 4'-6"	6-8 MONTHS
(D)	20	3'-0" x 5'-6"	9-16 MONTHS
(E)	17	3'-6" x 6'-6"	17-23 MONTHS

COOPERATIVE EXTENSION WORK IN
AGRICULTURE AND HOME ECONOMICS

AND
UNITED STATES DEPARTMENT OF AGRICULTURE COOPERATING

DAIRY REPLACEMENT HOUSING

ME. '75 6234 SHEET 1 OF 5

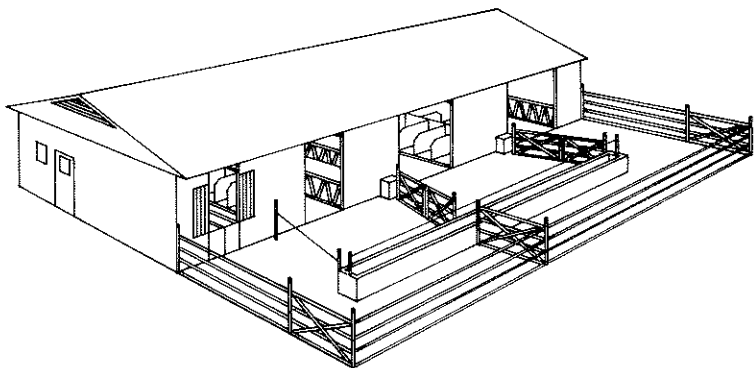


PLAN
72 HEAD-40x80'

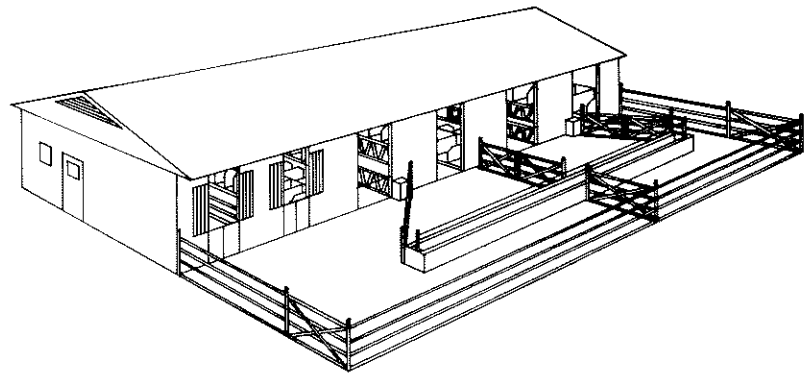
OPTIONAL MANURE RAMP.

PLAN
105 HEAD-40x116'

OPTIONAL MANURE RAMP.



PERSPECTIVES



AREA	NO. HEAD	STALLS *	AGE
(A)	9	CRATES	0-3 MONTHS (NOTE-1)
(B)	6	2'-0" x 4'-0"	4-5 MONTHS
(C)	6	2'-4" x 4'-6"	6-8 MONTHS
(D)	16	3'-0" x 5'-6"	9-15 MONTHS
(E)	18	3'-3" x 6'-0"	16-21 MONTHS
(F)	17	3'-9" x 6'-6"	22-26 MONTHS

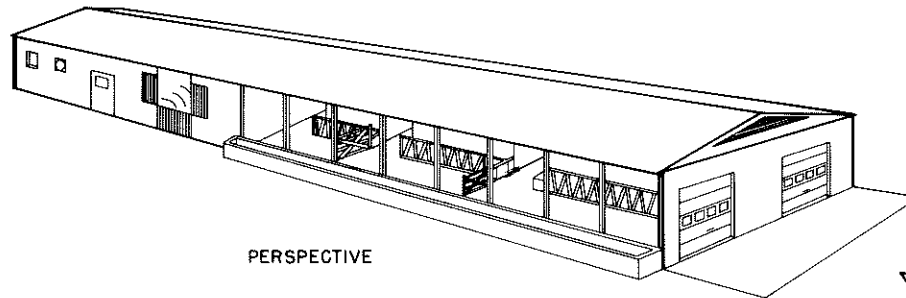
AREA	NO. HEAD	STALLS *	AGE
(A)	12	CRATES	0-3 MONTHS (NOTE-1)
(B)	12	2'-0" x 4'-0"	4-5 MONTHS
(C)	12	2'-4" x 4'-6"	6-8 MONTHS
(D)	20	3'-0" x 5'-6"	9-15 MONTHS
(E)*	18	3'-3" x 6'-0"	16-20 MONTHS
(F)	16	3'-6" x 6'-6"	21-24 MONTHS
(G)	15	3'-9" x 7'-0"	DRY COWS

COOPERATIVE EXTENSION WORK IN
AGRICULTURE AND HOME ECONOMICS

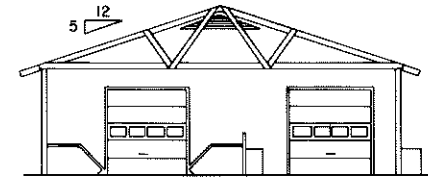
AND
UNITED STATES DEPARTMENT OF AGRICULTURE COOPERATING

DAIRY REPLACEMENT HOUSING

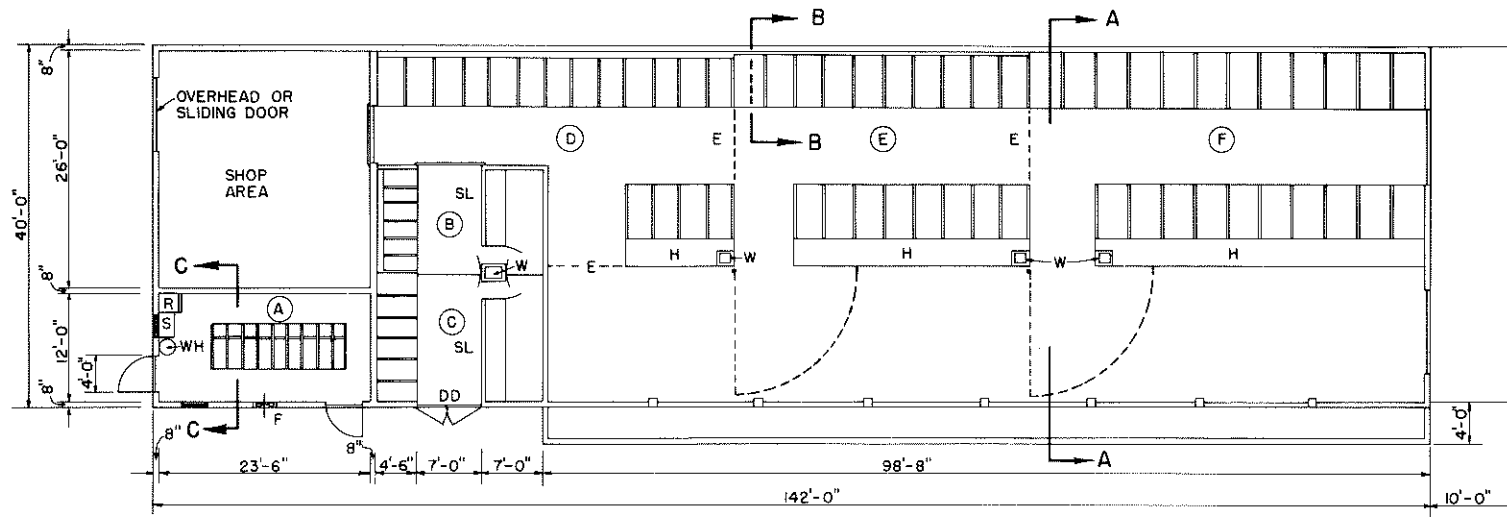
ME. '75 6234 SHEET 2 OF 5



PERSPECTIVE



SECTION A-A



PLAN
78 HEAD - 40' X 140' NO YARD

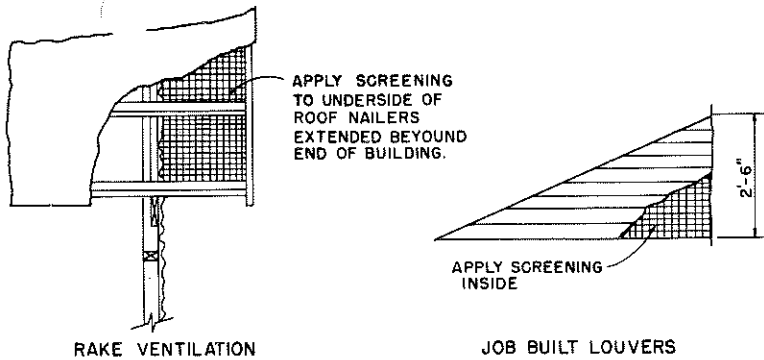
AREA	NO. HEAD	STALLS *	AGE
(A)	9	CRATES	0-3 MONTHS (NOTE 1.)
(B)	6	2'-0" X 4'-0"	4-5 MONTHS
(C)	6	2'-4" X 4'-6"	6-8 MONTHS
(D)	17	3'-0" X 5'-6"	9-15 MONTHS
(E)	18	3'-3" X 6'-0"	16-21 MONTHS
(F)	22	3'-9" X 6'-6"	22-26 MONTHS

COOPERATIVE EXTENSION WORK IN
AGRICULTURE AND HOME ECONOMICS

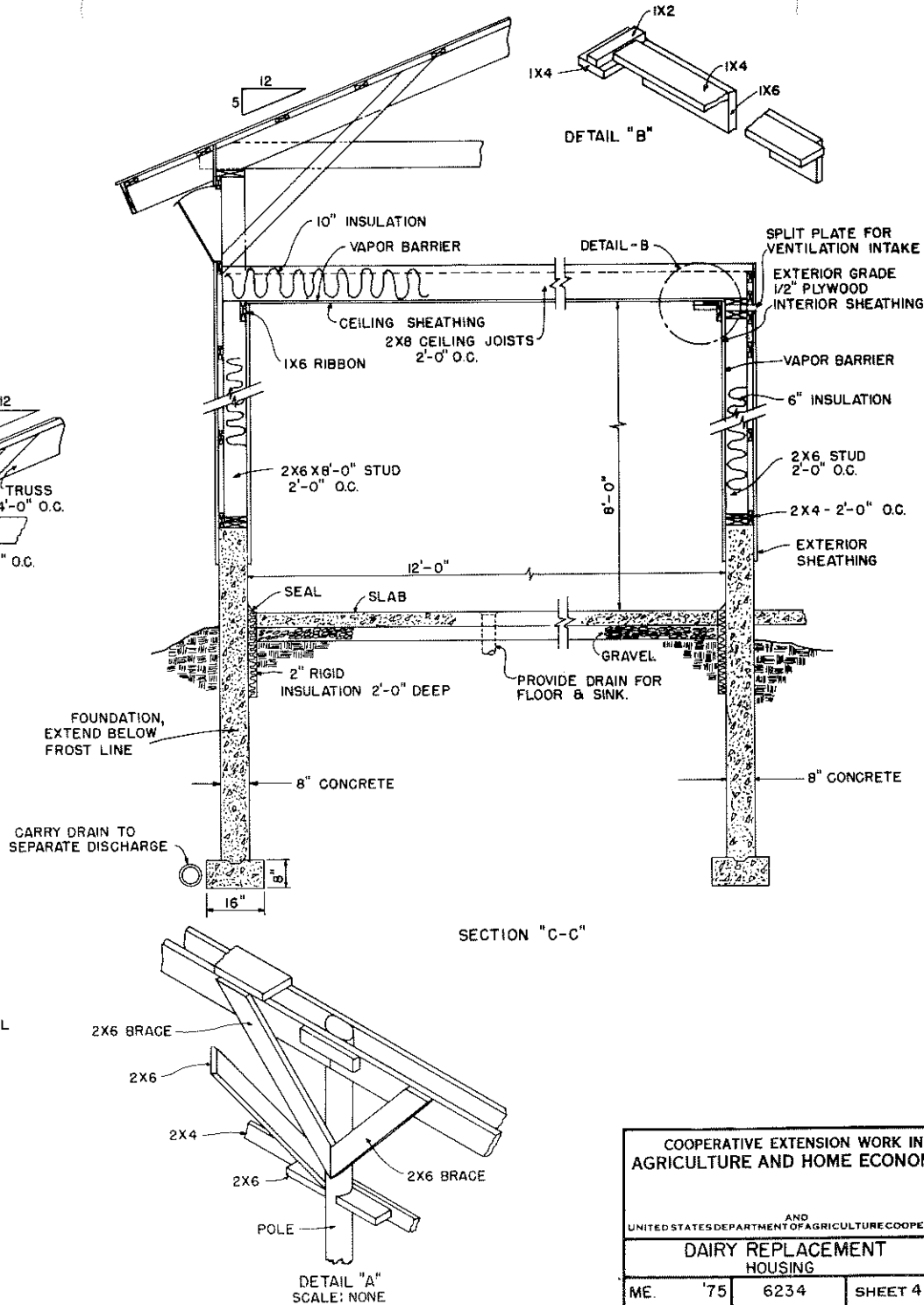
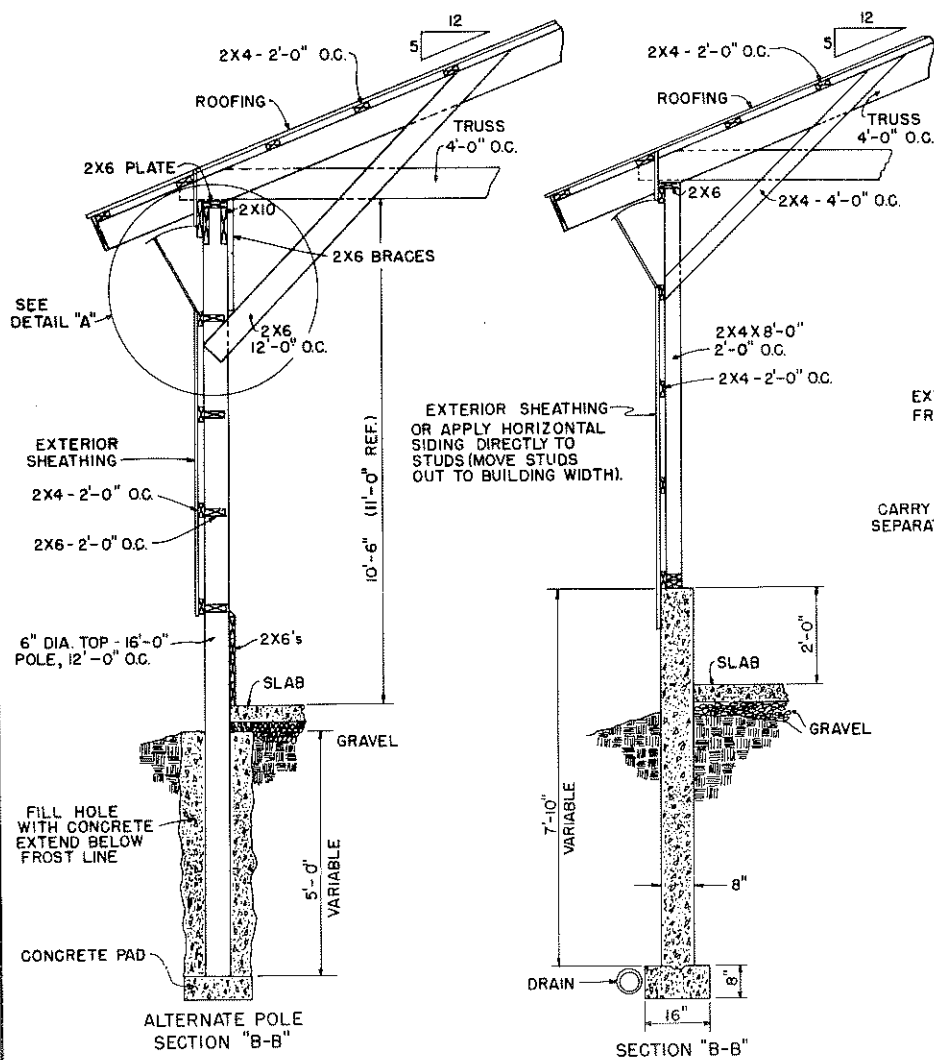
AND
UNITED STATES DEPARTMENT OF AGRICULTURE COOPERATING

DAIRY REPLACEMENT
HOUSING

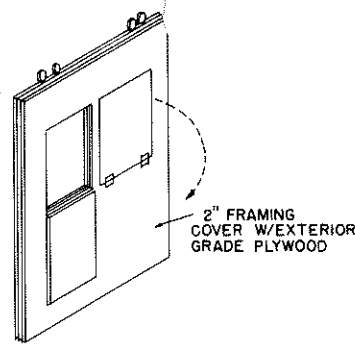
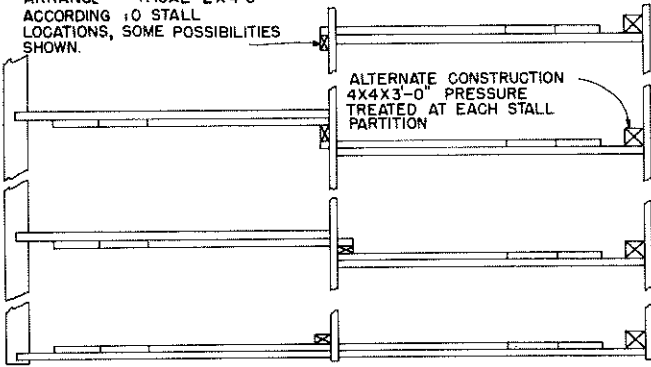
ME.	'75	6234	SHEET 3 OF 5
-----	-----	------	--------------



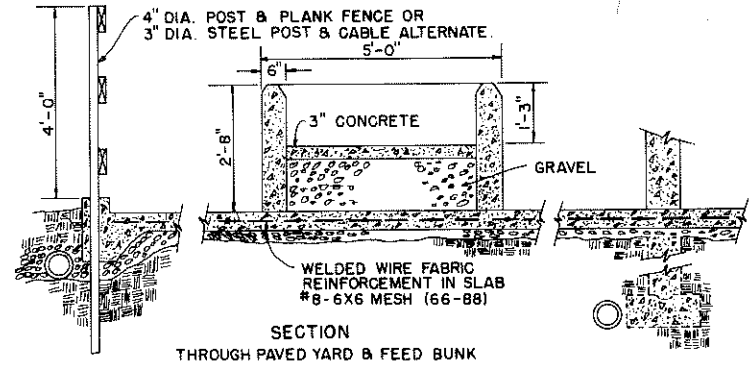
PROVIDE ONE OF THE ABOVE FOR VENTILATION



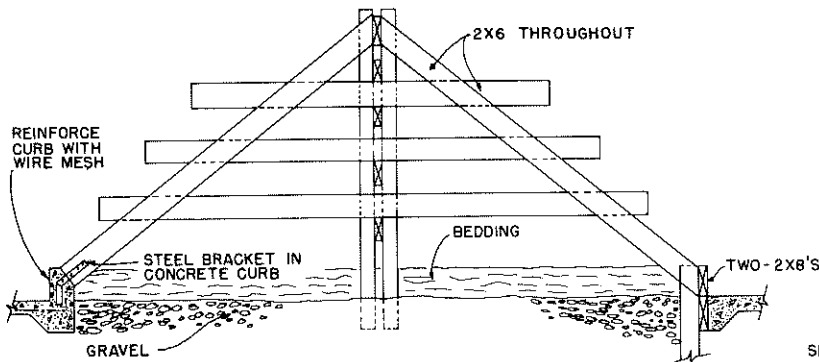
ARRANGEMENT OF TYPICAL 2 X 4'S
ACCORDING TO STALL
LOCATIONS, SOME POSSIBILITIES
SHOWN.



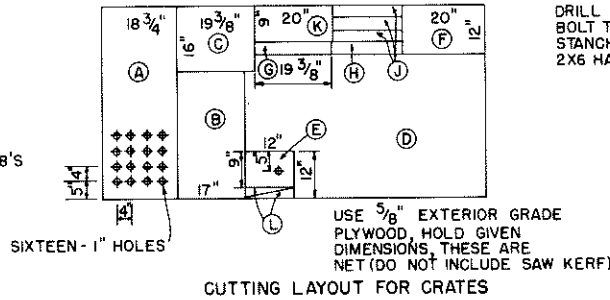
SLIDING DOOR
ALTERNATE FOR DUTCH DOORS



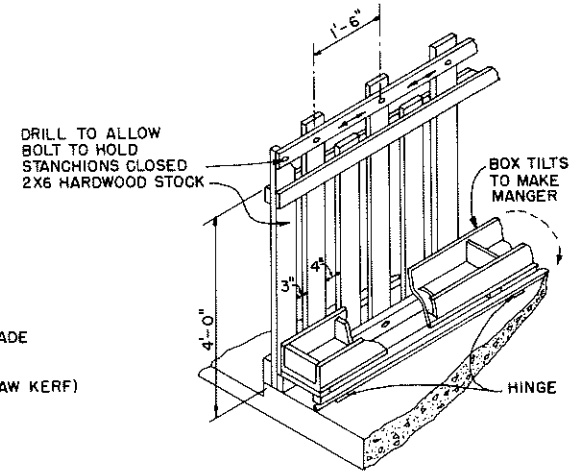
SECTION
THROUGH PAVED YARD & FEED BUNK



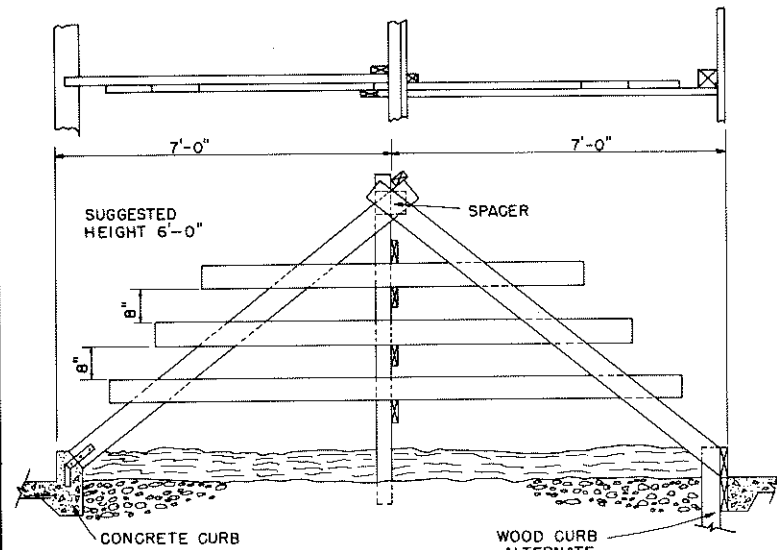
SUGGESTED FREE STALLS FOR TWO SIZE STALLS
FACING EACH OTHER, ADJUST STALL LENGTHS TO FIT.
FREE STALLS



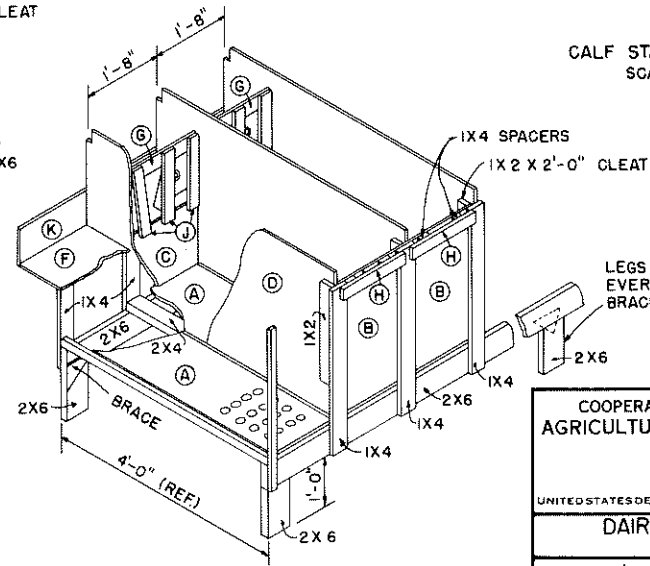
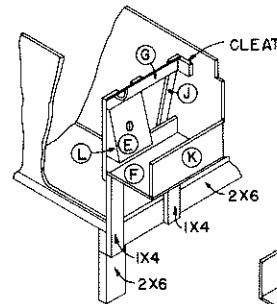
CUTTING LAYOUT FOR GRATES



CALF STANCHION LINES
SCALE: NONE



SUGGESTED FULL SIZE STALLS



CALF CRATES

- NOTES:
- (A) FLOOR
 - (B) DOOR
 - (C) STALL FRONT
 - (D) SIDE OF STALL
 - (E) PAIL REST - 1 1/2" HOLE
 - (F) FEED FLOOR
 - (G) HEADER - FRONT
 - (H) DOOR CLEAT
 - (J) STANCHIONS
 - (K) FEED FRONT
 - (L) SIDES - PAIL REST