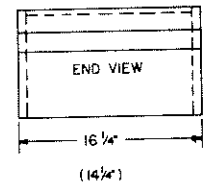


ALTERNATE DIMENSIONS FOR AN 8-FRAME UNIT ARE IN BRACKETS.

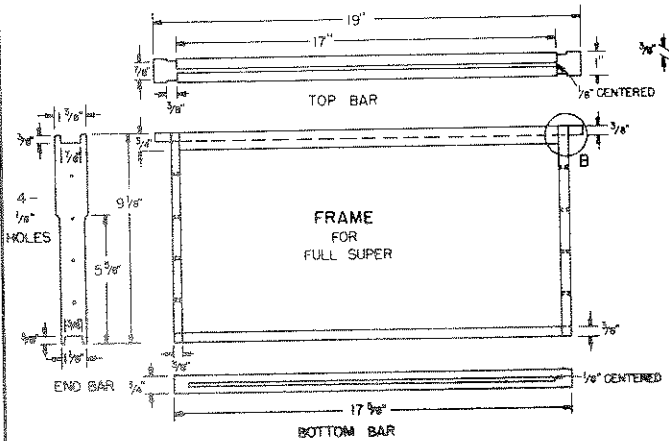
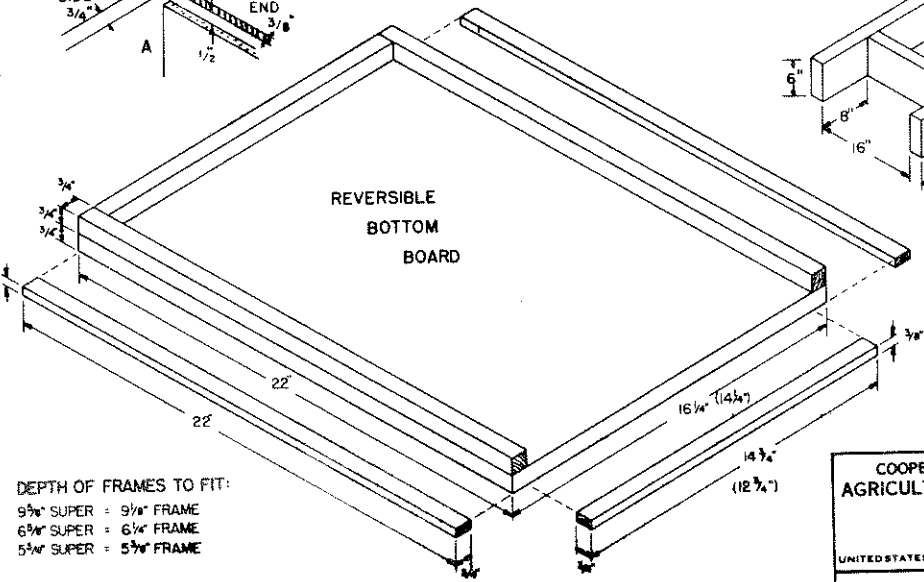
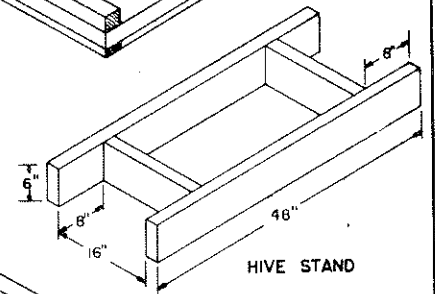
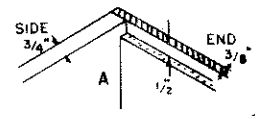
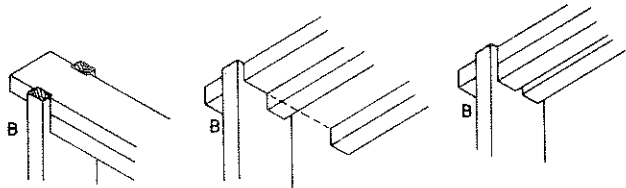
- MATERIALS LIST**
- 10'-10"-2" X 6" PINE OR FIR
 - 4' X 4' X 3/4" A-A EXTERIOR PLYWOOD
 - 1 3/4" X 3/4" X 33" PINE OR FIR
 - 1" X 3/4" X 20" PINE OR FIR
 - 3/4" X 3/4" X 60" PINE OR FIR
 - 1 3/8" X 3/8" X 19" PINE OR FIR
 - 3/4" X 3/8" X 80" PINE OR FIR
 - 1 L.B. 6d BOX NAILS

DEPTHS FOR HIVES

- FULL SUPER = 9 3/8"
- THREE-QUARTER SUPER = 6 3/8"
- SHALLOW SUPER = 5 3/4"



COMPLETED HIVE (SUPER)



- DEPTH OF FRAMES TO FIT:
- 9 3/8" SUPER = 9 1/8" FRAME
 - 6 3/8" SUPER = 6 1/8" FRAME
 - 5 3/8" SUPER = 5 3/8" FRAME

NO SCALE

COOPERATIVE EXTENSION WORK IN AGRICULTURE AND HOME ECONOMICS

AND UNITED STATES DEPARTMENT OF AGRICULTURE COOPERATING

BEEHIVE AND FRAME

OR. '75 6231 SHEET 1 OF 1