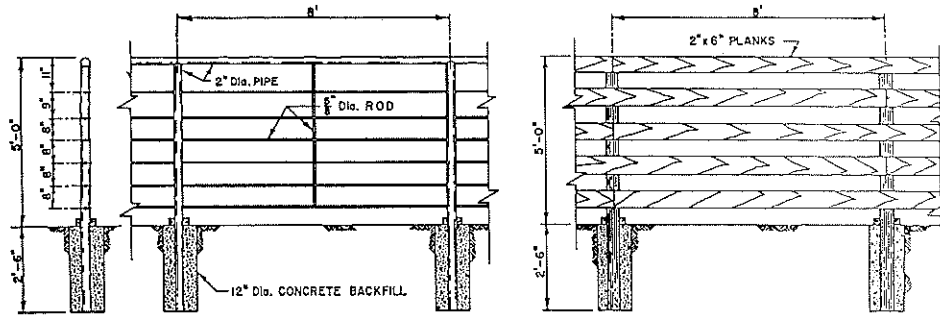
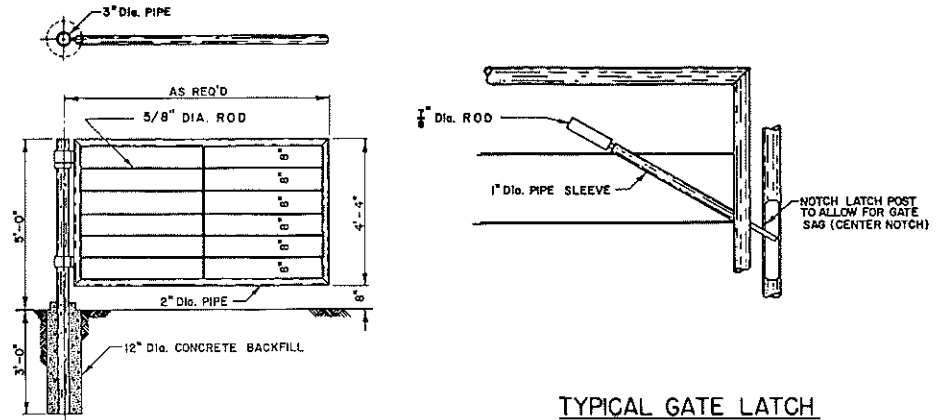


NOTE:

1. USE PRESSURE PRESERVATIVE TREATED POSTS WITH A MINIMUM TOP DIAMETER OF 4".
2. FASTEN PLANKS TO POSTS WITH 3 RING OR SCREW SHANK NAILS, STAGGERED TO AVOID SPLITTING THE PLANK.

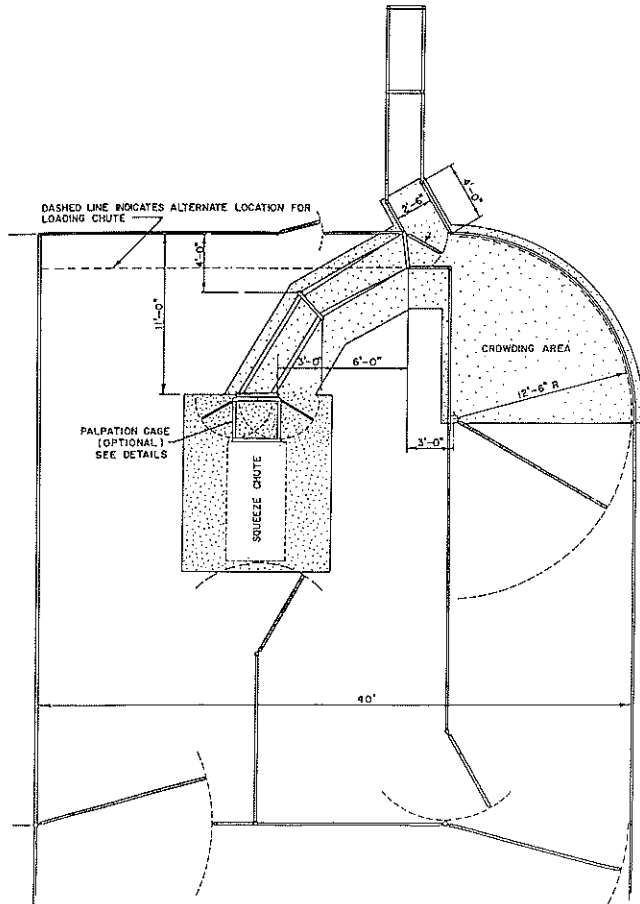


TYPICAL FENCE DETAILS

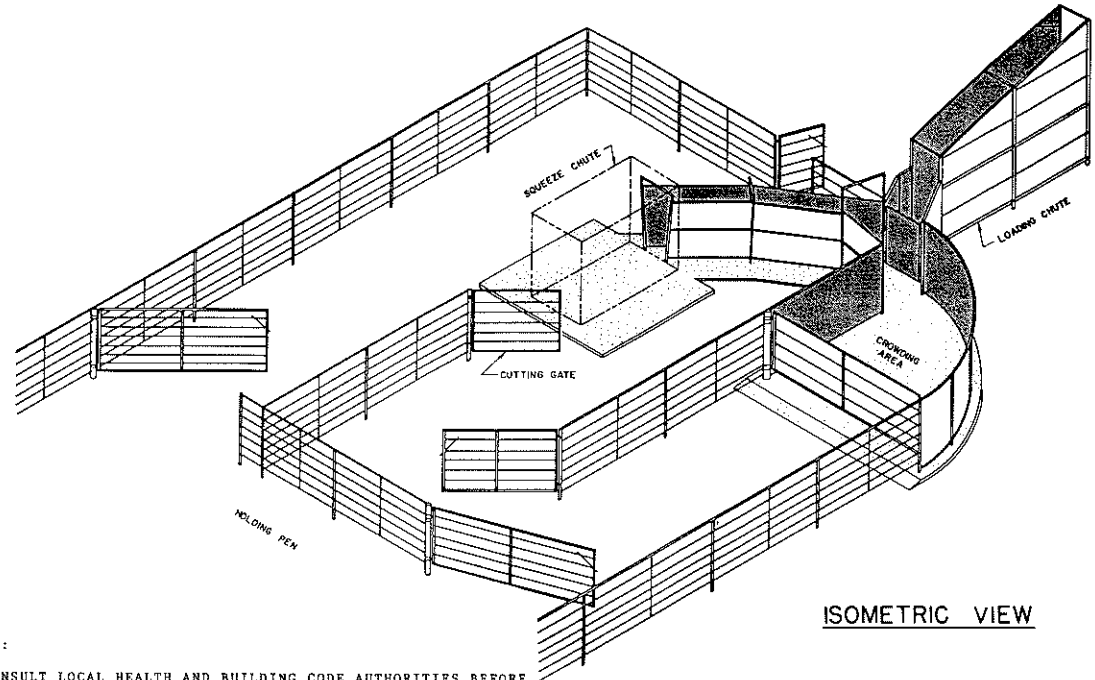


TYPICAL GATE DETAILS

TYPICAL GATE LATCH



PLAN VIEW



ISOMETRIC VIEW

NOTES:

1. CONSULT LOCAL HEALTH AND BUILDING CODE AUTHORITIES BEFORE STARTING CONSTRUCTION.
2. BEGIN CONSTRUCTION WITH PLACEMENT OF CROWDING GATE POST. THE REMAINDER OF WORKING FACILITY IS LAID OUT FROM THIS POINT.
3. PLACE CONCRETE OVER WELL-DRAINED, UNDISTURBED SOIL, TAMPED SOIL, OR GRAVEL FILL. ALL SURFACE ORGANIC MATTER, MANURE, TRASH, AND SOFT SOIL SHOULD BE REMOVED.
4. USE 6x6, No. 10 WW MESH WITH CONCRETE PLACED OVER SOFT OR SPONGY SOIL.
5. SLOPE CROWDING AREA FLOOR 1/4" PER FOOT TO OUTSIDE FOR DRAINAGE.
6. PROVIDE A ROUGH CONCRETE FINISH TO INSURE STABLE FOOTING FOR ANIMALS.
7. ALL SHEET STEEL MOUNTED INSIDE OF POSTS.

DRAWINGS NOT TO SCALE

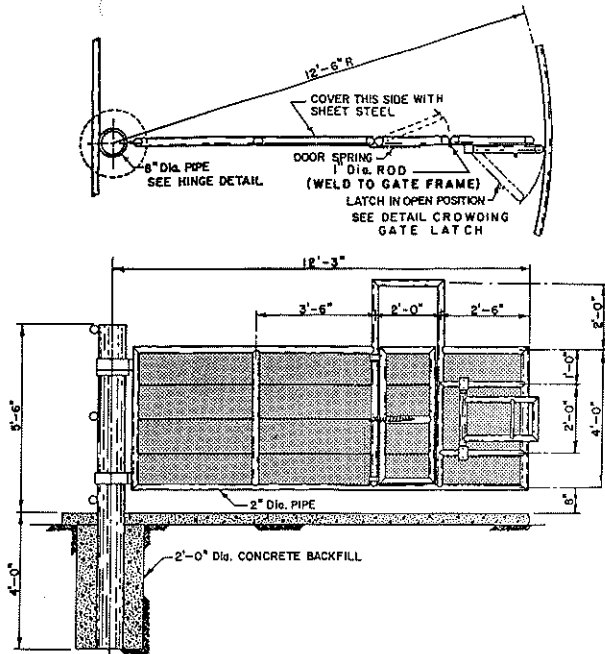
COOPERATIVE EXTENSION SERVICE  
AGRICULTURE AND HOME ECONOMICS

AND  
UNITED STATES DEPARTMENT OF AGRICULTURE COOPERATING

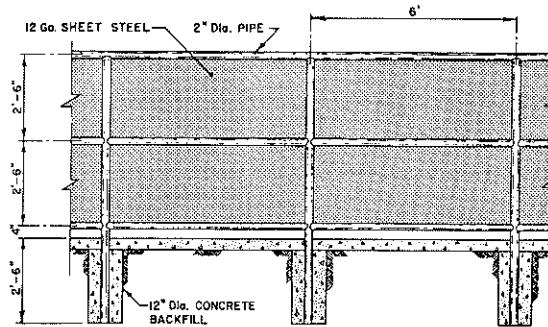
CORRALS  
WITH WORKING FACILITIES

OK '75 6230 SHEET 1 OF 3

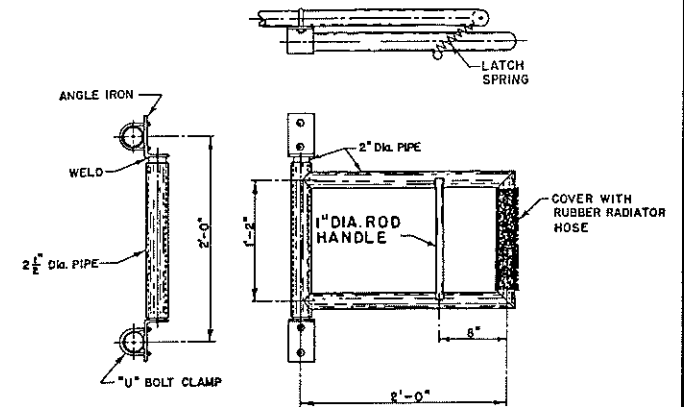
REV '86



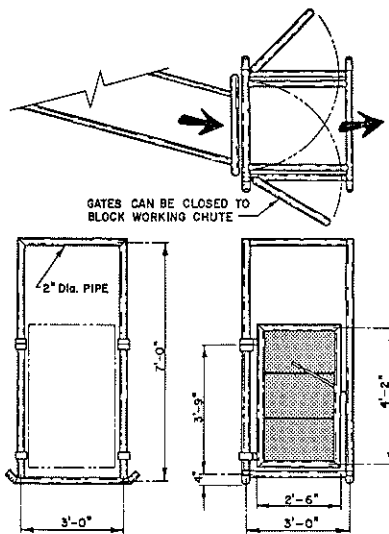
CROWDING GATE DETAILS



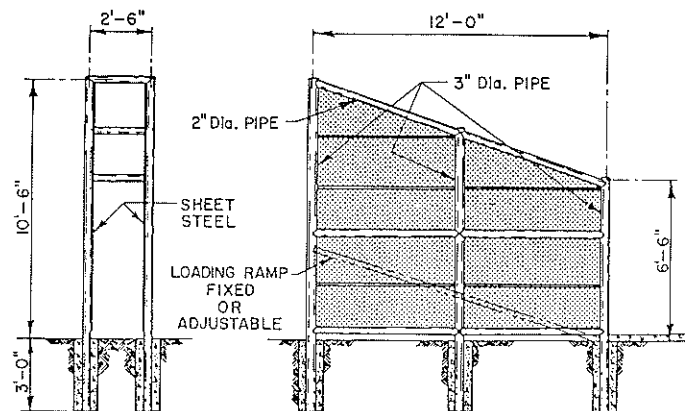
CROWDING AREA FENCE



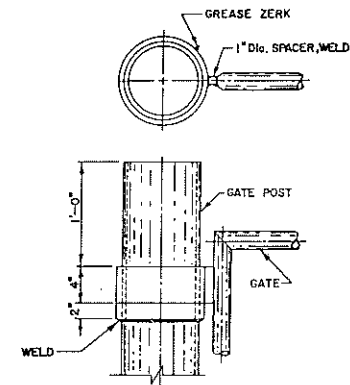
CROWDING GATE LATCH DETAIL



PALPATION CAGE



LOADING CHUTE ELEVATIONS



CROWDING GATE HINGE DETAIL

DRAWINGS NOT TO SCALE

COOPERATIVE EXTENSION SERVICE  
AGRICULTURE AND HOME ECONOMICS

AND  
UNITED STATES DEPARTMENT OF AGRICULTURE COOPERATING

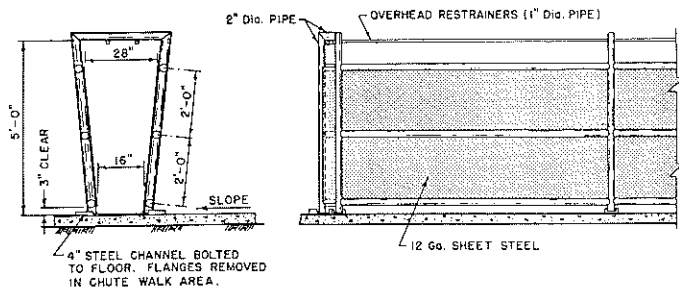
CORRALS  
WITH WORKING FACILITIES

OK'75

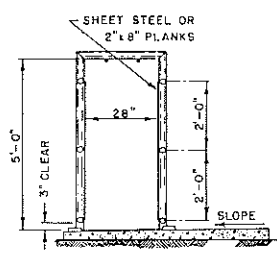
6230

SHEET 2 OF 3

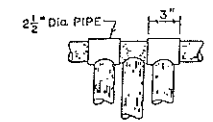
REV'86



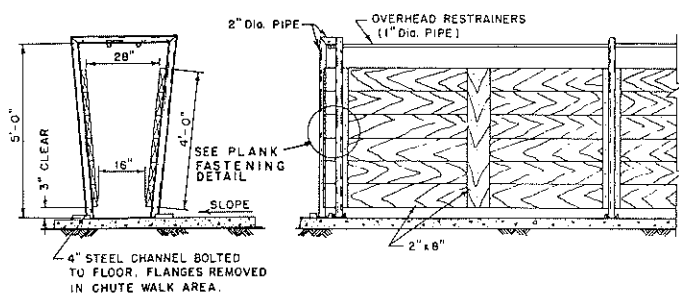
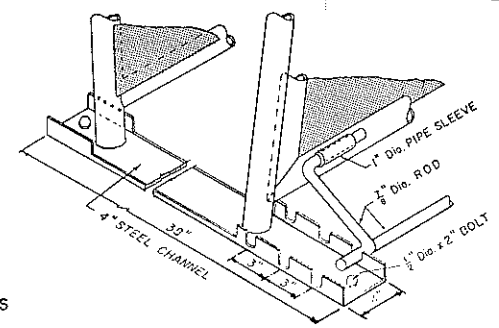
PIPE & SHEET STEEL



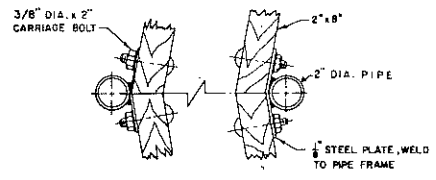
ALTERNATE CONSTRUCTION FOR STATIONARY WORKING CHUTE



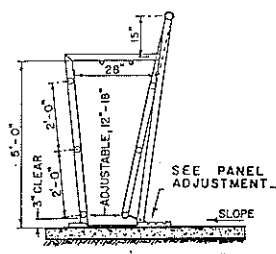
PANEL SUPPORT HINGES



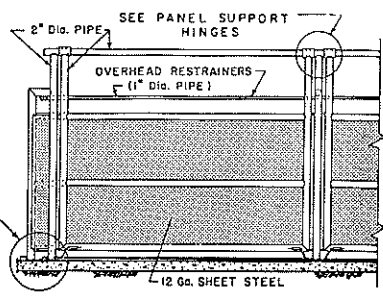
PIPE & PLANK



PLANK FASTENING DETAIL



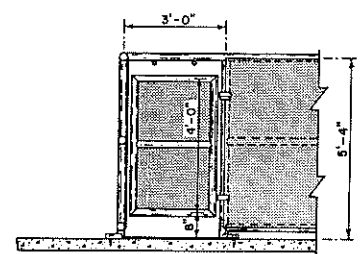
NOTE: AT WIDEST SETTING (18"), ADJUSTABLE PANEL IS FLUSH WITH STATIONARY PIPE SUPPORT.



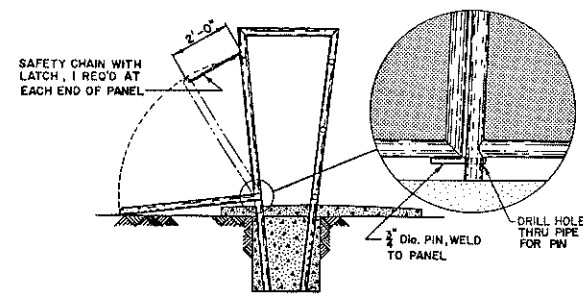
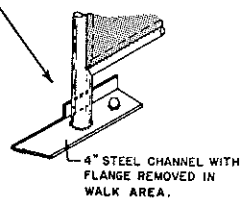
PIPE & SHEET STEEL

STATIONARY WORKING CHUTE

ADJUSTABLE WORKING CHUTE



WORKING CHUTE ENTRANCE



EMERGENCY SIDE EXIT

DRAWINGS NOT TO SCALE

COOPERATIVE EXTENSION SERVICE  
 AGRICULTURE AND HOME ECONOMICS

AND  
 UNITED STATES DEPARTMENT OF AGRICULTURE COOPERATING

**CORRALS**  
 WITH WORKING FACILITIES

OK' 75	6230	SHEET 3 OF 3
--------	------	--------------

REV' 86