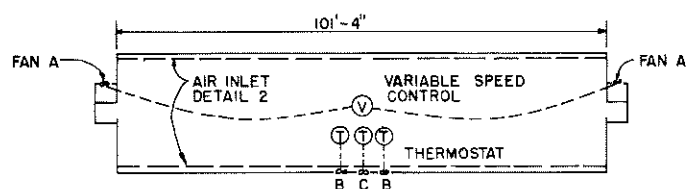
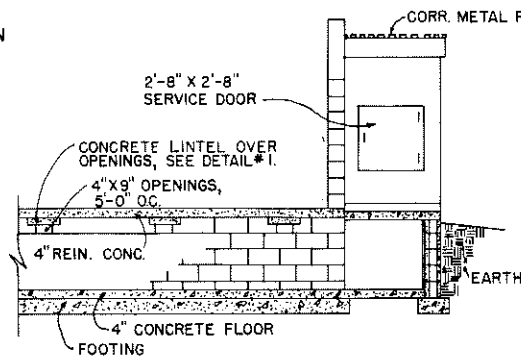


FOUNDATION & FLOOR PLAN
SCALE: 1/8"=1'-0"

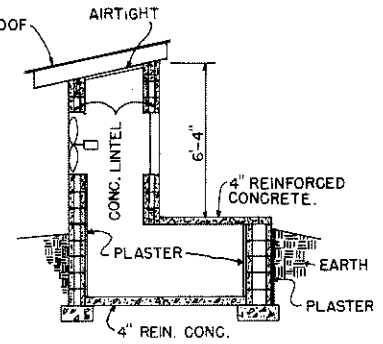


FAN LAYOUT
SCALE: NONE

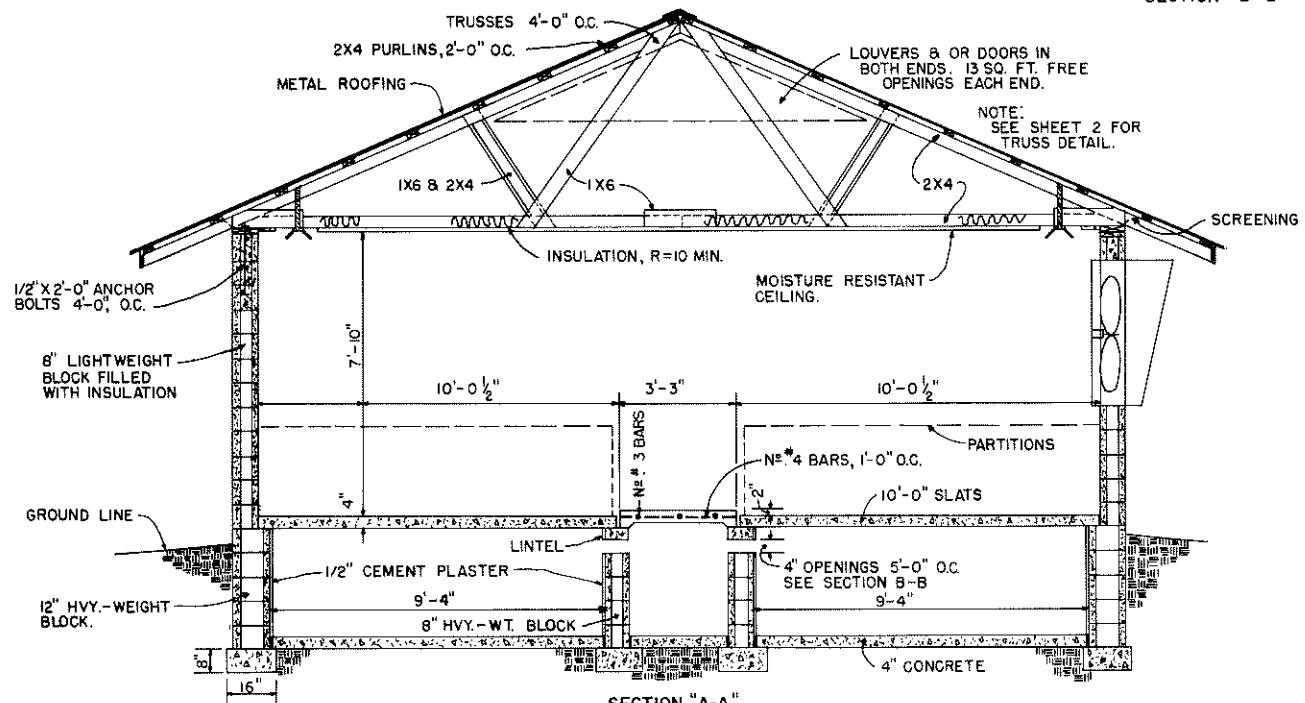
NOTE:
FAN A - 4000 TO 5000 CFM VARIABLE SPEED.
FAN B - 4000 TO 5000 CFM.
FAN C - 8,500 CFM.



SECTION "B-B"



SECTION "C-C"



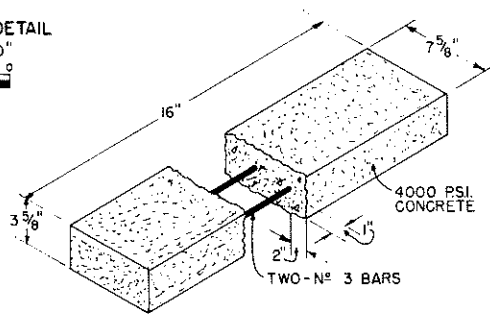
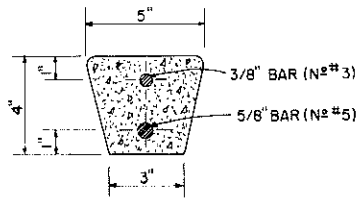
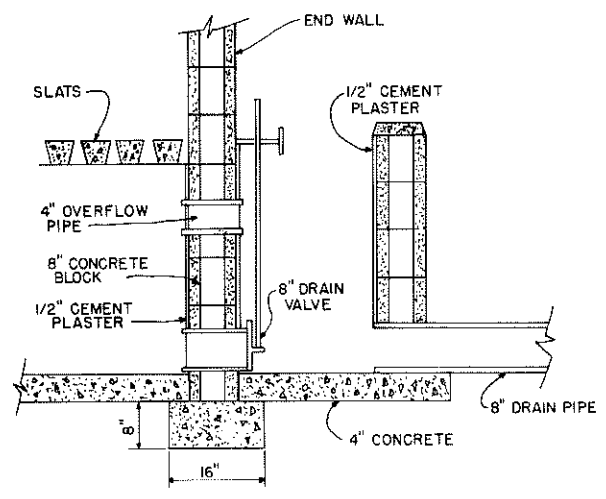
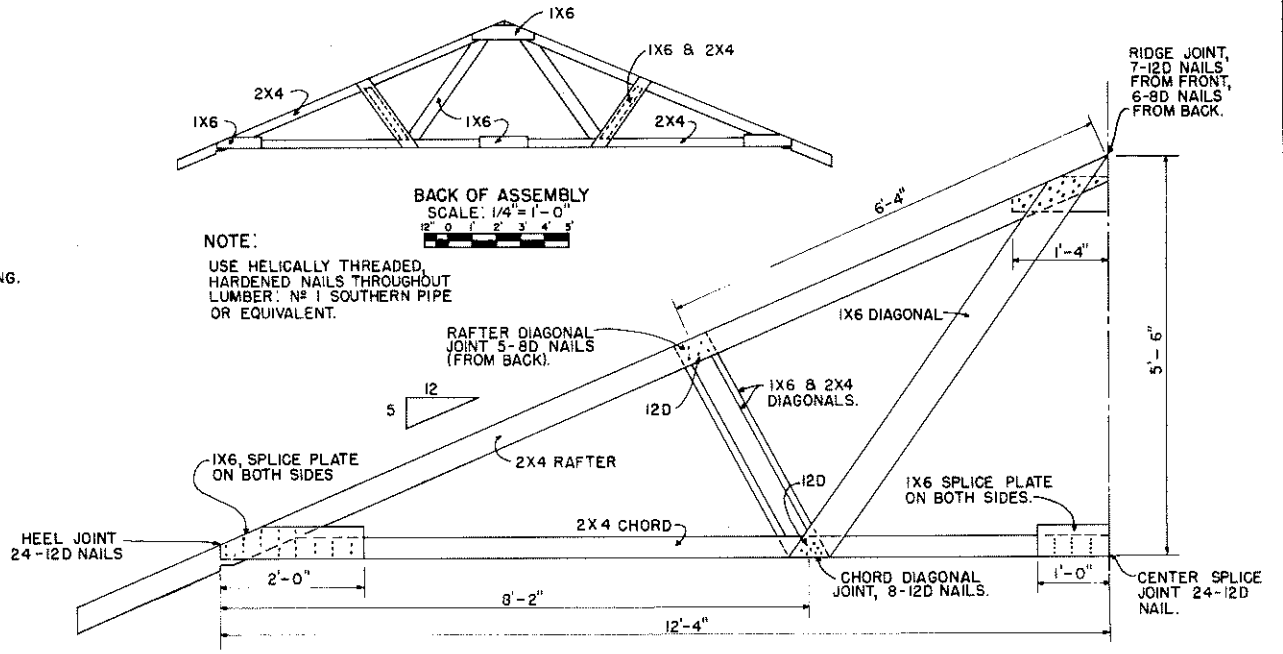
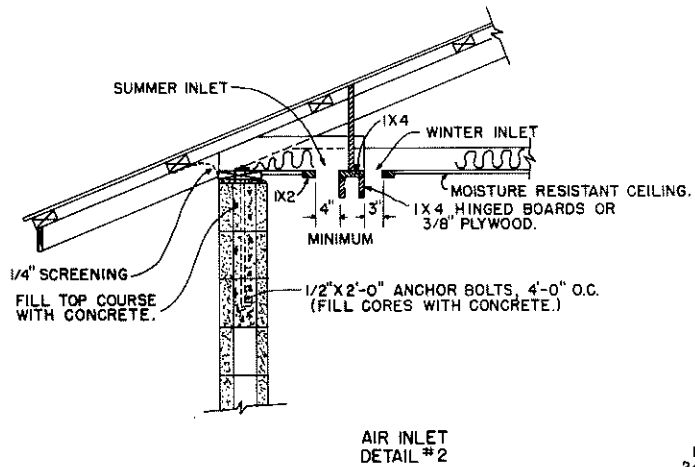
SECTION "A-A"
SCALE: 3/8"=1'-0"

NOTE: CONSULT WITH LOCAL HEALTH AND BUILDING CODE AUTHORITIES BEFORE STARTING CONSTRUCTION.



SCALE: 1/4"=1'-0" UNLESS OTHERWISE NOTED

COOPERATIVE EXTENSION WORK IN AGRICULTURE AND HOME ECONOMICS		
AND UNITED STATES DEPARTMENT OF AGRICULTURE COOPERATING		
NURSERY BUILDING FOR PIGS		
N.C.	'75 6219	SHEET 1 OF 2



SCALE: 3/4" = 1'-0" UNLESS OTHERWISE NOTED.

COOPERATIVE EXTENSION WORK IN
AGRICULTURE AND HOME ECONOMICS

AND
UNITED STATES DEPARTMENT OF AGRICULTURE COOPERATING

NURSERY BUILDING
FOR PIGS

N.C.	'75	6219	SHEET 2 OF 2
------	-----	------	--------------