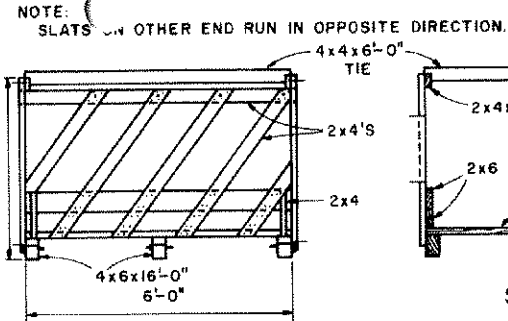
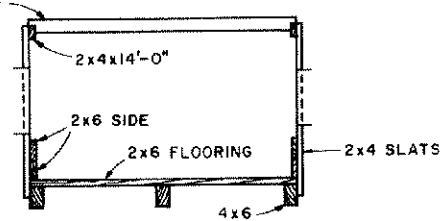


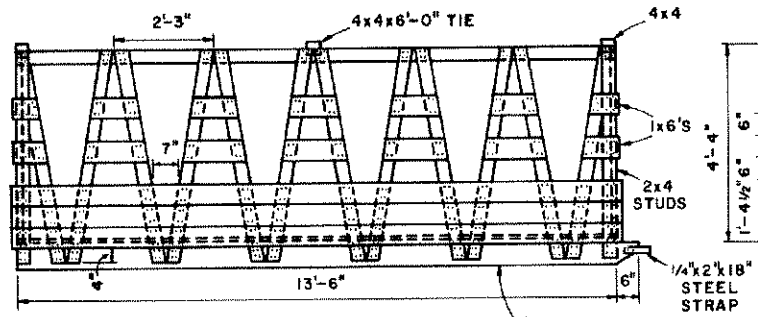
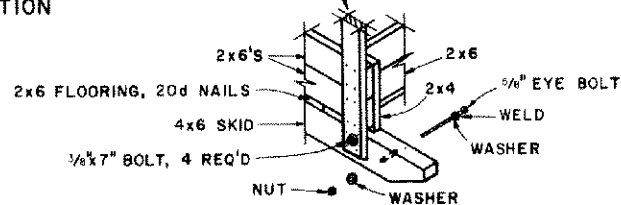
SIDE ELEVATION



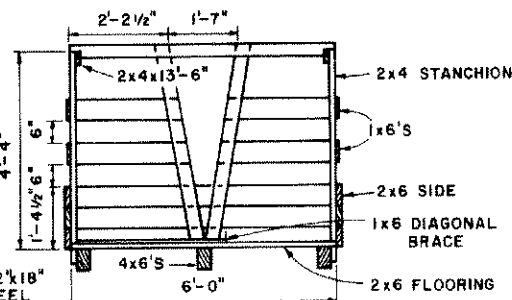
END ELEVATION



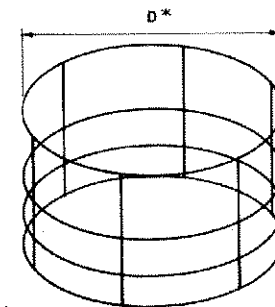
SECTION



SIDE ELEVATION

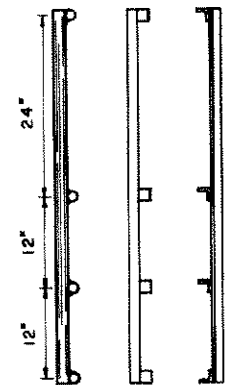


SECTION



PERSPECTIVE

D\* = HOOP DIAMETER  
BALE DIAGONAL + 6"

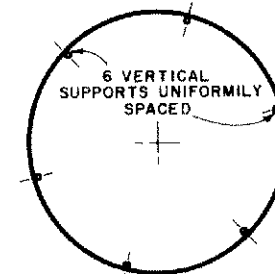


PIPE SQUARE TUBING ANGLE IRON

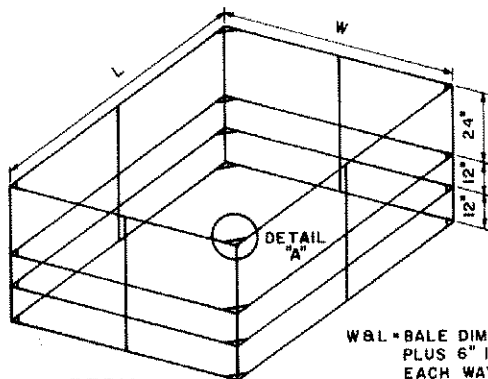
VERTICAL SUPPORTS

SCALE: 1" = 1'-0"

12" 9" 6" 3" 0"

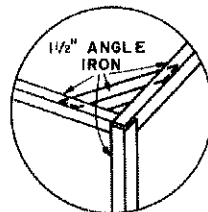


PLAN  
NO SCALE



ISOMETRIC  
PIPE TUBING OR ANGLE

W&L = BALE DIMENSIONS  
PLUS 6" INCHES  
EACH WAY.



DETAIL "A"  
NO SCALE

12" 6" 0" 1" 2"

SCALE: 1/2" = 1'-0" UNLESS  
OTHERWISE NOTED

COOPERATIVE EXTENSION WORK IN  
AGRICULTURE AND HOME ECONOMICS

AND  
UNITED STATES DEPARTMENT OF AGRICULTURE COOPERATING

HAY FEEDERS  
FOR ROUND BALES

ALA. '75 6214 SHEET 1 OF 1

BASED ON: AUBURN UNIV. PLAN NO. G-314  
TEXAS A&M UNIV. PLAN NO. 578