

**CORRAL PLAN**

SCALE: 3/32" = 1'-0"

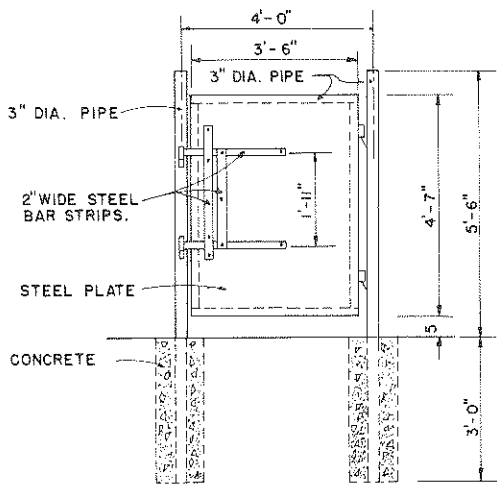


COOPERATIVE EXTENSION WORK IN  
AGRICULTURE AND HOME ECONOMICS

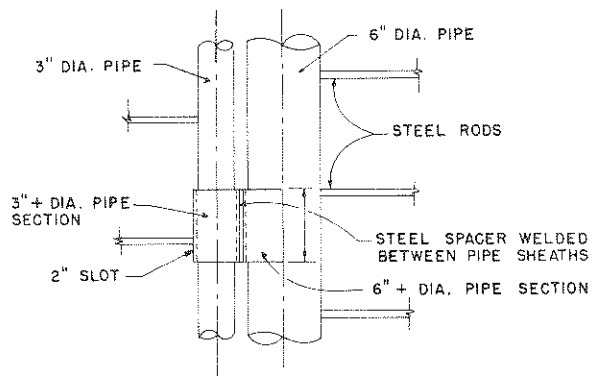
AND  
UNITED STATES DEPARTMENT OF AGRICULTURE COOPERATING

**CORRAL LAYOUT**

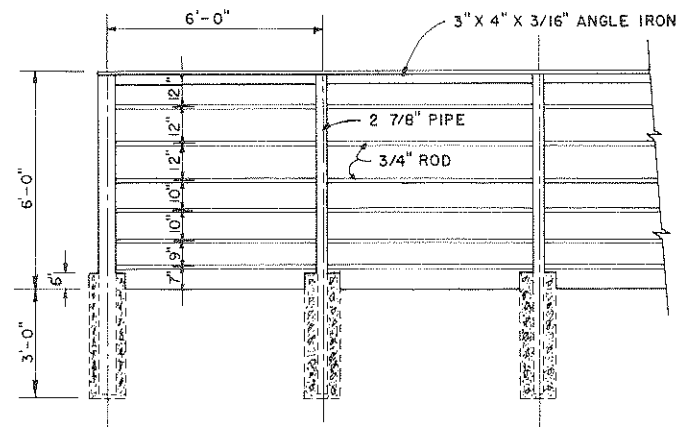
TEX '75	6205	SHEET 1 OF 2
---------	------	--------------



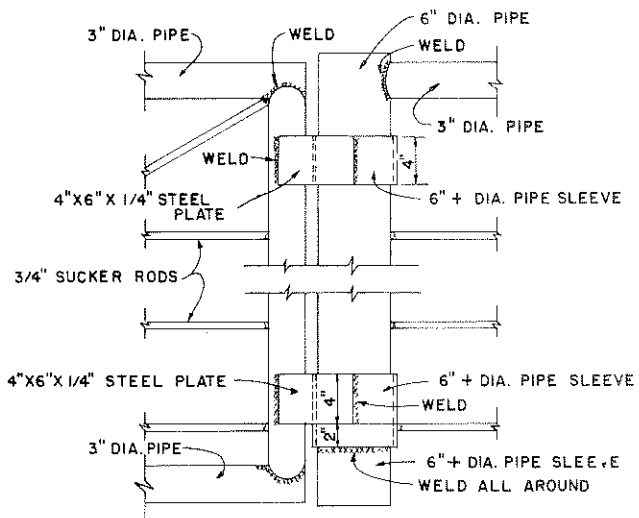
**GATE DETAIL**  
SCALE: 1/2" = 1'-0"  
12' 6" 0' 1' 2'



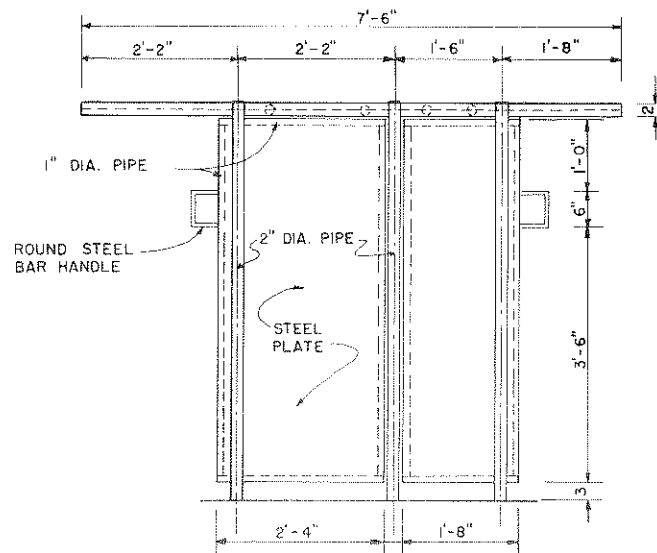
**GATE LATCH DETAILS**



**TYPICAL FENCE**  
SCALE: 3/8" = 1'-0"  
12' 6" 0' 1' 2' 3'



**GATE HINGE DETAILS**



**SLIDING DOOR DETAILS**  
SCALE: 3/4" = 1'-0"  
12' 6" 0' 1' 2' 3'

SCALE: 1/2" = 1'-0" UNLESS OTHERWISE NOTED

COOPERATIVE EXTENSION WORK IN  
AGRICULTURE AND HOME ECONOMICS

AND  
UNITED STATES DEPARTMENT OF AGRICULTURE COOPERATING

CORRAL LAYOUT

TEX. '75 6205 SHEET 2 OF 2