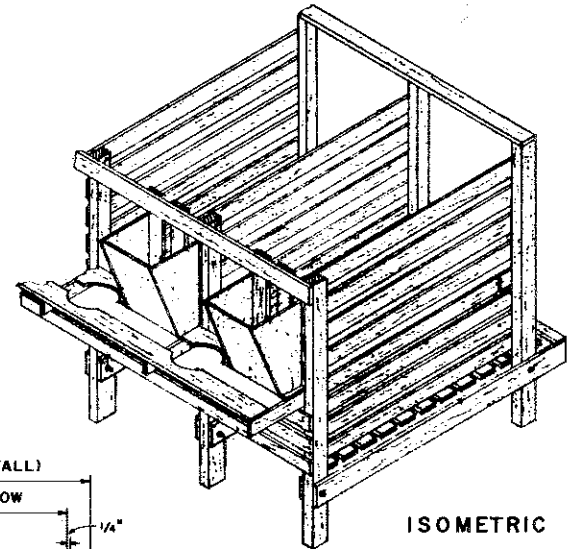


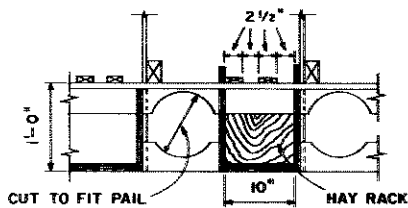
LIST OF MATERIALS  
(All Sound Quality Planed Hardwood Lumber Having Good Resistance to Decay.)

SIZE*	LENGTH	QUANTITY	SIZE*	LENGTH	QUANTITY	SIZE*	LENGTH	QUANTITY
3/4" x 2"	19 1/2"	1 per Stall	2" x 3"	4'-3"	1 per Stall	NAILS: 1 1/2"	(Common or Hardened)	
"	21 7/8"	1 per Stall	"	4'-0"	1 per Stall	"	1/10 lb. per Stall	
"	4'-3"	2 per Stall	3/4" x 2"	12'	1 per 6 Stalls	2"	(Common or Hardened)	
3/4" x 3"	19 1/2"	1 per Stall	3/4" x 3"	12'	5 per 6 Stalls	3/8" x 4"	Mach. 2 per Stall	
"	21 7/8"	10 per Stall	3/4" x 4"	12'	2 per 6 Stalls	MASHERS: 3/8" Flat	4 per Stall	
"	27"	2 per Stall	1/2" ply. or					
"	4'-0"	7 per Stall	3/4" Bd.	10' x 19'	1 per Stall			
"	5'-0"	1 per Stall	1/2" ply.	12' x 16'				
3/4" x 4"	4'-6"	2 per Stall		(sloped)	2 per Stall			

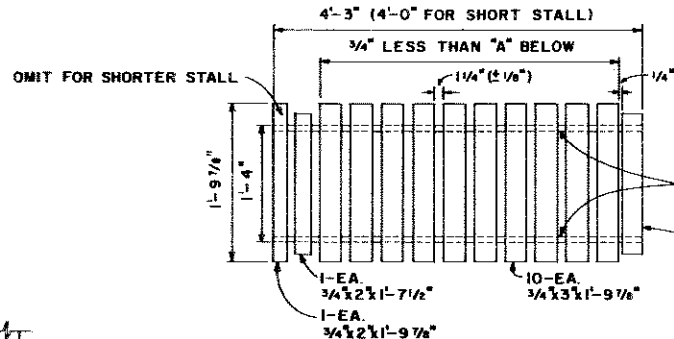
\*All wood sizes "Actual"  
\*\*1'-6" for weal calves to 300 lb.  
Only 4'-0" for calves to 200 lb.



ISOMETRIC



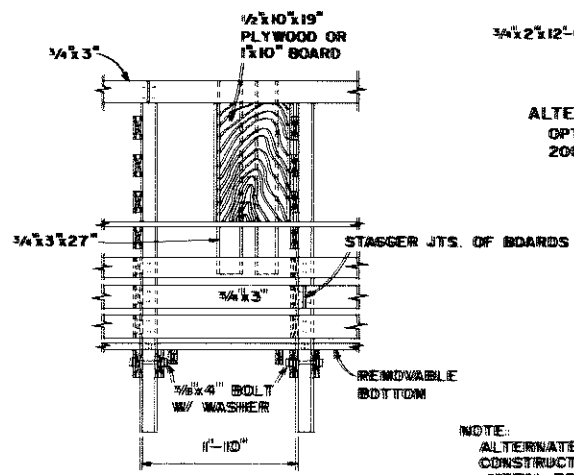
TOP VIEW



TOP VIEW-REMOVABLE BOTTOM

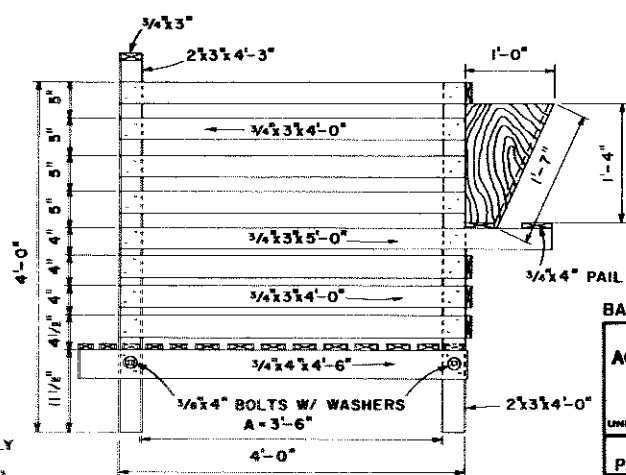
NOTE:  
CONSULT LOCAL HEALTH AND BUILDING CODE AUTHORITIES BEFORE STARTING CONSTRUCTION.

Mention of these firms does not constitute an endorsement by the Department of either their products or prices. No discrimination is intended, and no guarantee of reliability implied.



FRONT VIEW

ALTERNATE SHORT STALL  
OPTIONAL FOR CALVES TO 200# OR 8 WEEKS OLD.



SIDE VIEW

SCALE: 1"=1'-0" UNLESS OTHERWISE NOTED  
1" 2" 3" 4" 5" 6" 1'

BASED ON: UNIV. OF KY. PLAN II.772-34  
COOPERATIVE EXTENSION WORK IN AGRICULTURE AND HOME ECONOMICS  
AND UNITED STATES DEPARTMENT OF AGRICULTURE COOPERATING  
**ELEVATED CALF STALL  
PAIL, HAY AND GRAIN FEEDING**  
KY. '75 6199 SHEET 1 OF 1