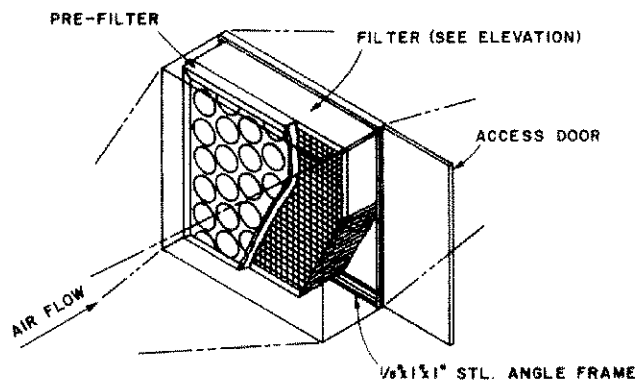


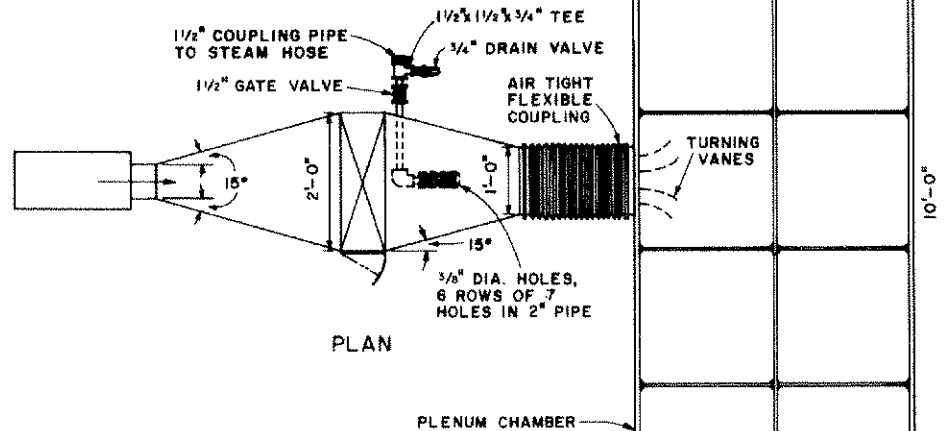
PARTIAL ISOMETRIC  
NO SCALE



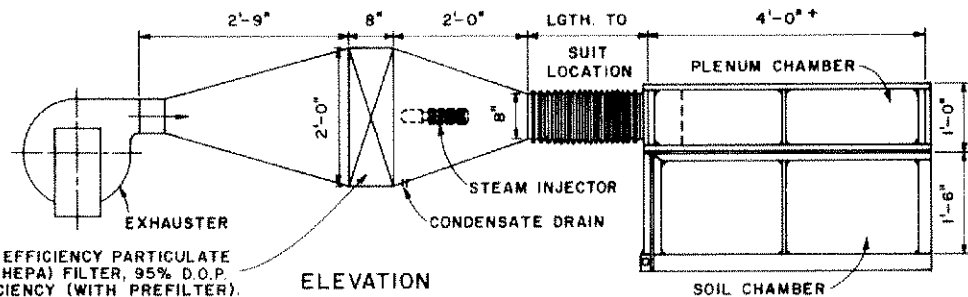
FILTER DETAIL  
SCALE: 1" = 1'-0"  
12" 9" 6" 3" 0"

CONSULT LOCAL HEALTH AND BUILDING CODE AUTHORITIES BEFORE STARTING CONSTRUCTION.

MENTION OF A TRADE NAME DOES NOT CONSTITUTE A GUARANTEE OR WARRANTY OF THE PRODUCT BY THE U.S. DEPARTMENT OF AGRICULTURE OR AN ENDORSEMENT BY THE DEPARTMENT OVER OTHER PRODUCTS NOT MENTIONED.



PLAN



ELEVATION

GUIDE TO BLOWER SELECTION

BLOWER		MATERIAL
CAPACITY (C.F.M.)	STATIC PRESSURE (IN. OF WATER)	
450	15	1:1:1 MIX SOIL: PEAT: PERLITE
800	15	1:1:1 MIX SOIL: PEAT
675	20	MINERAL SOIL
700	10	SPHAGNUM MOSS PEAT

\* FOR RESEARCH PURPOSES USE ABSOLUTE FILTER MATCH FILTER & BLOWER CAPACITIES.

BASED ON: PENN. STATE UNIV. PLAN B22-372



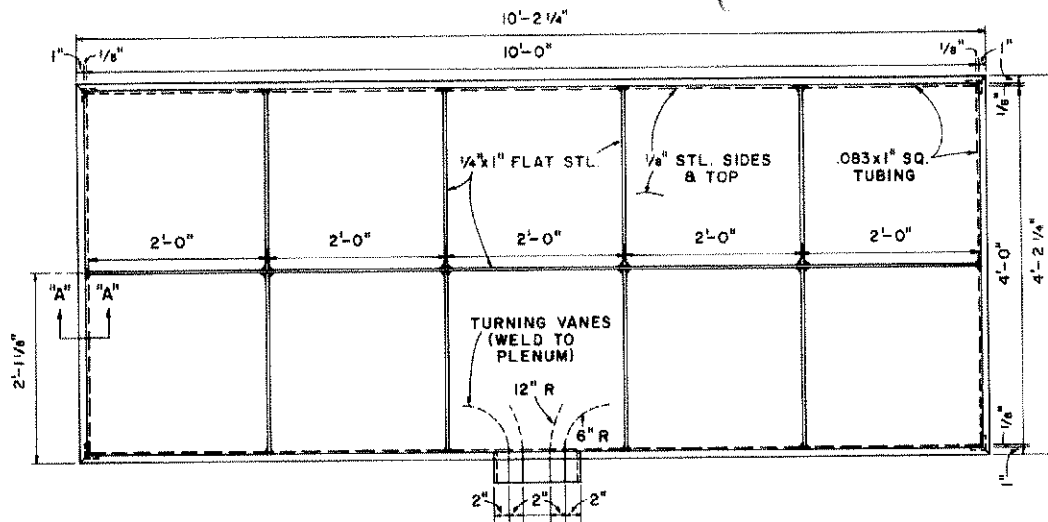
SCALE: 3/4" = 1'-0" UNLESS OTHERWISE NOTED

COOPERATIVE EXTENSION WORK IN AGRICULTURE AND HOME ECONOMICS

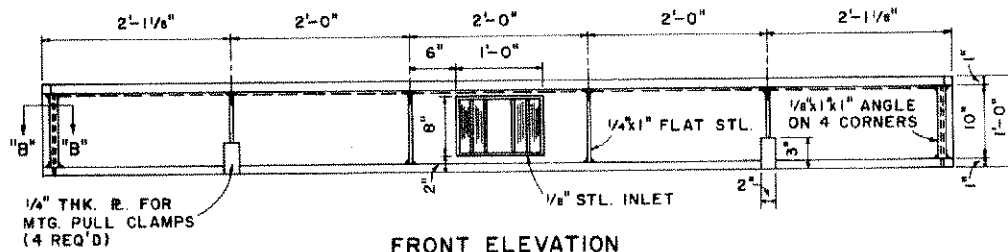
AND UNITED STATES DEPARTMENT OF AGRICULTURE COOPERATING

SOIL TREATING SYSTEM

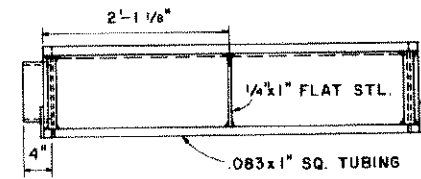
PA 75 6198 SHEET 1 OF 3



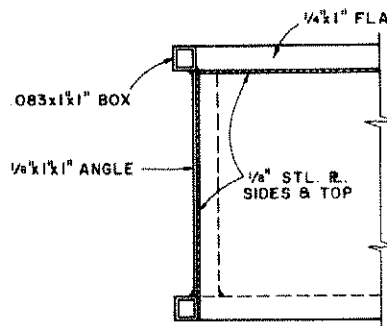
PLENUM CHAMBER  
PLAN



FRONT ELEVATION



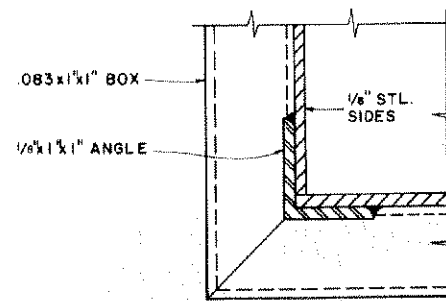
SIDE ELEVATION



SECTION "A-A"

SCALE: 3" = 1'-0"

6" 5" 4" 3" 2" 1" 0"



SECTION "B-B"

SCALE: 1" = 1'

1/2" 0"

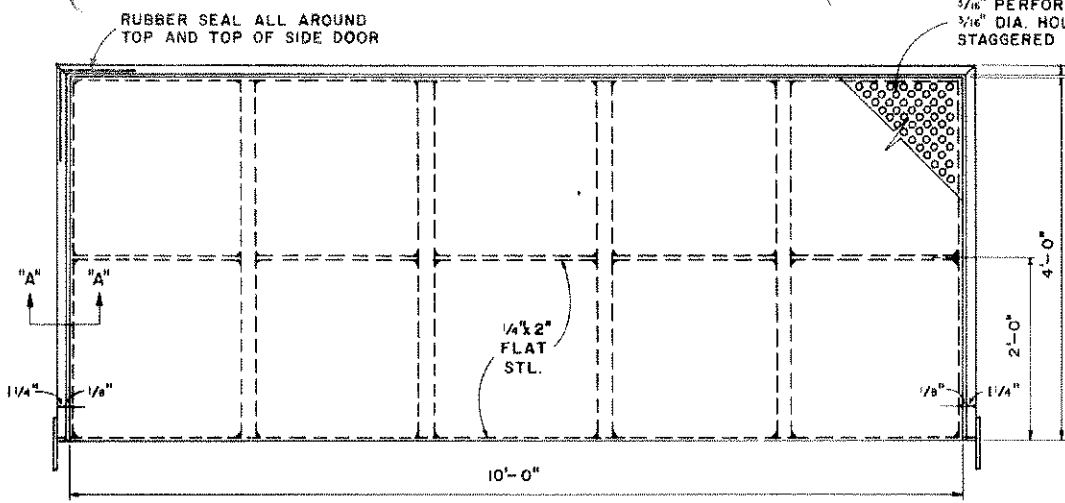
SCALE: 1 1/2" = 1'-0" UNLESS OTHERWISE NOTED

COOPERATIVE EXTENSION WORK IN AGRICULTURE AND HOME ECONOMICS

AND UNITED STATES DEPARTMENT OF AGRICULTURE COOPERATING

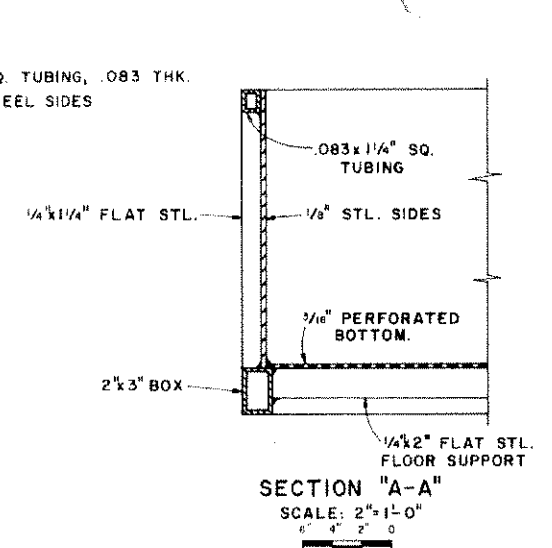
SOIL TREATING SYSTEM

PA '75 6198 SHEET 2 OF 3

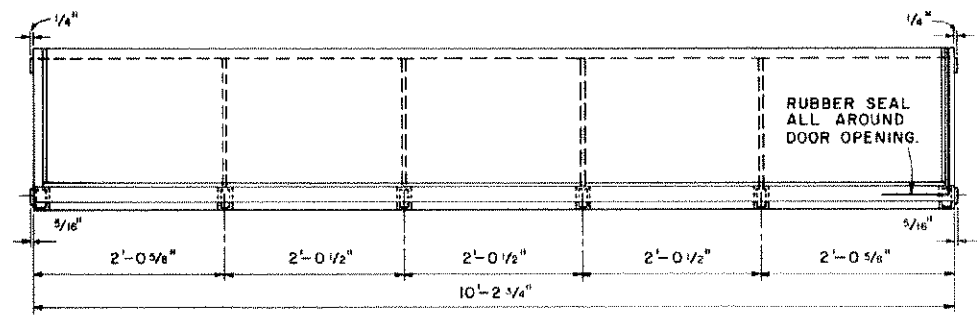


SOIL CHAMBER  
PLAN

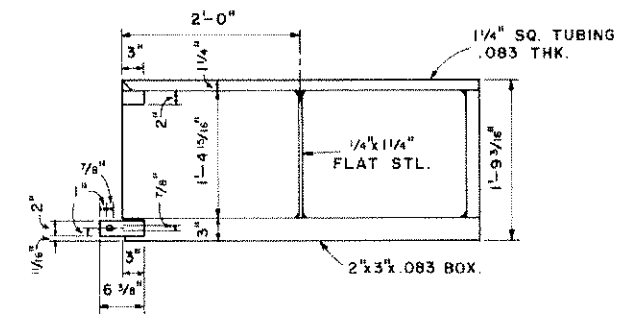
NOTE:  
MAKE INSIDE WELDS  
CONTINUOUS & AIR TIGHT.



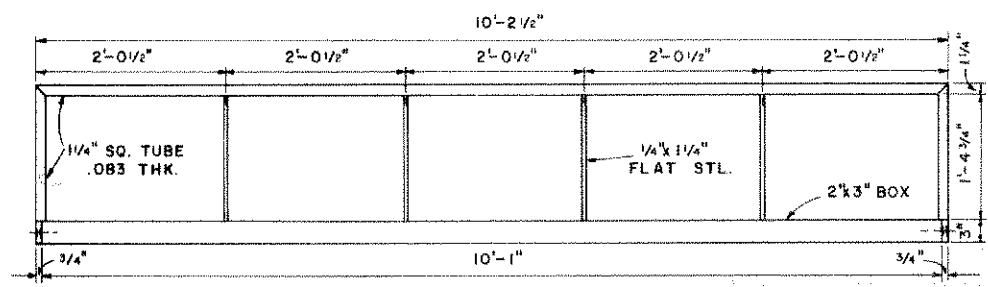
SECTION "A-A"  
SCALE: 2"=1'-0"



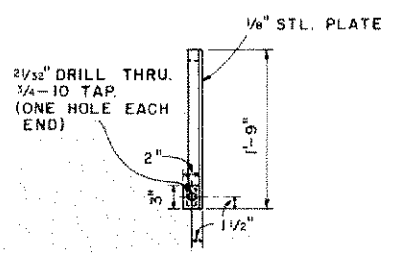
FRONT ELEVATION



SIDE ELEVATION



ELEVATION OF DOOR



SIDE ELEVATION

12" 9" 6" 3" 0" 1"  
SCALE: 1"=1'-0" UNLESS  
OTHERWISE NOTED.

COOPERATIVE EXTENSION WORK IN AGRICULTURE AND HOME ECONOMICS		
AND UNITED STATES DEPARTMENT OF AGRICULTURE COOPERATING		
SOIL TREATING SYSTEM		
PA. '75	6198	SHEET 3 OF 3