

FLOOR PLAN

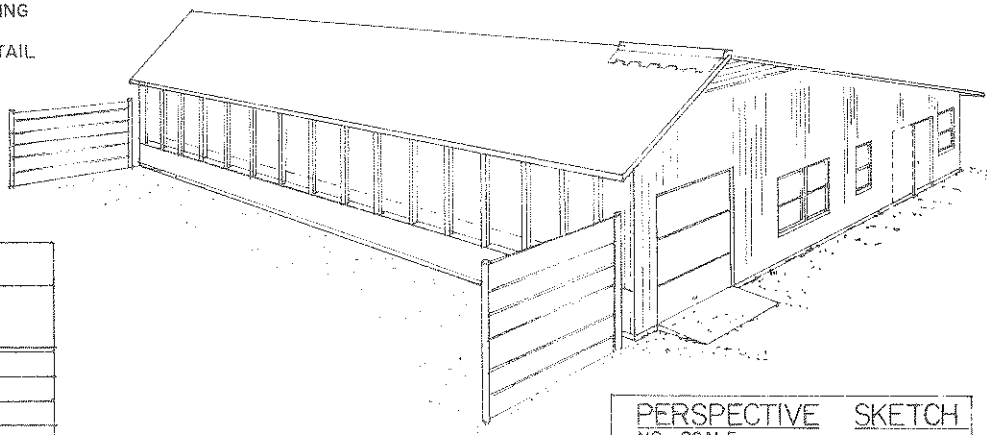
NOTE: THIS AREA MAY BE PAVED TO PERMIT SILAGE FEEDING OF YOUNGSTOCK AND DRY COWS.

NOTE: 1. LENGTH OF MILK ROOM AND UTILITY ROOM MAY BE CHANGED WITHOUT MAJOR PLAN ALTERATIONS  
 2. MILKING AREA IS SUFFICIENT IN SIZE SO AS TO BE EASILY CONVERTED TO A FOUR STALL HERRING-BONE PARLOR.

- REFERENCES
- NORTHEAST DIARY PRACTICES COUNCIL GUIDELINES
  - BULLETIN # 1 FREE STALL HOUSING SYSTEMS
  - BULLETIN # 6 BULK TANK MILKROOMS

NOTE: 3. PLAN FOR MANURE HANDLING FROM THIS AREA  
 SEE PLAN #5977 FOR MANURE LIP DETAIL  
 SEE NORTHEAST DIARY PRACTICES COUNCIL GUIDELINES

- BULLETIN # 2 HANDLING MANURE AS A LIQUID
- BULLETIN # 5 HANDLING DIARY MANURE AS A SOLID



NOTE: CONSULT LOCAL HEALTH AND BUILDING CODE AUTHORITIES BEFORE STARTING CONSTRUCTION

BASED ON: UNIV. OF MAINE PLAN 37301

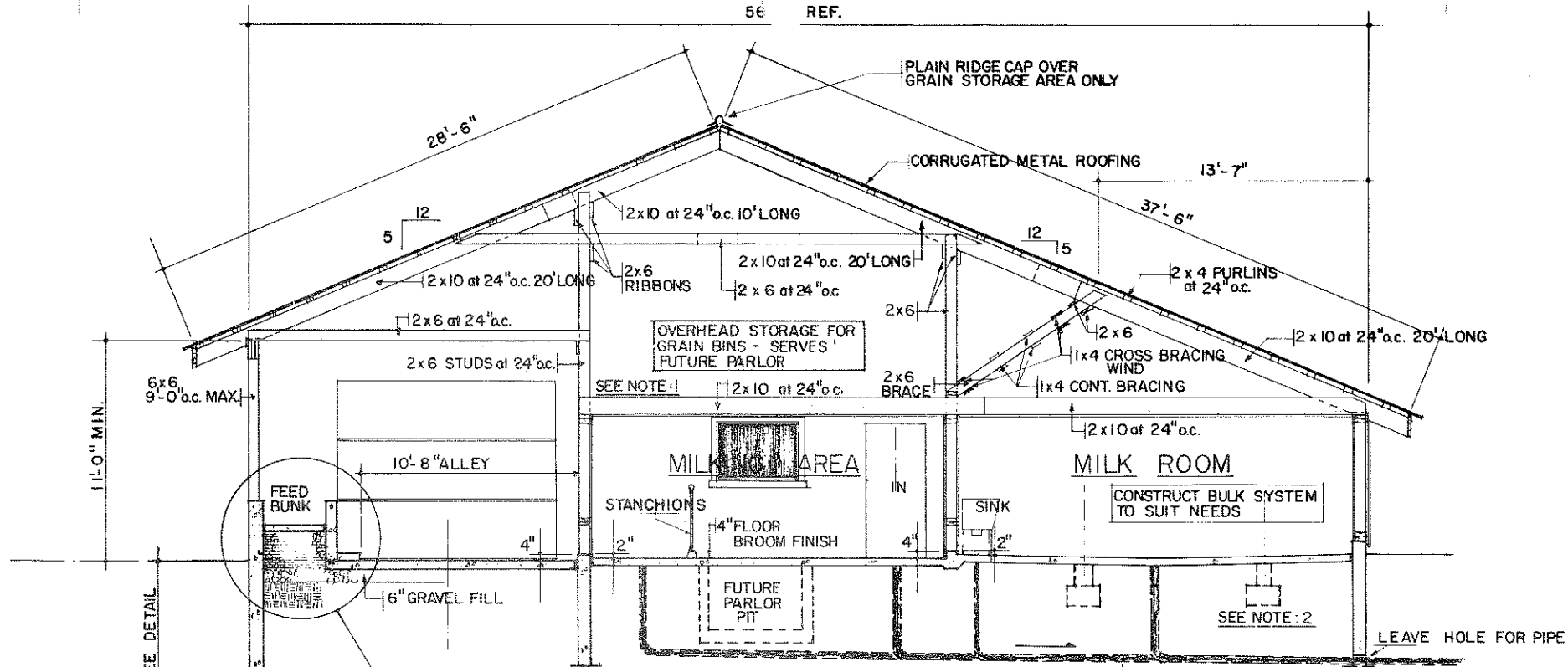
LENGTH OF BARN	NUMBER OF FREE STALLS	
	WITH 45' HAY FEEDER	WITHOUT FEEDER
127'-6"	48 as shown	60
131'-3"	51	63
135'-0"	54	66
138'-9"	57	69
143'-6"	60	72
147'-3"		75
150'-0"		78

COOPERATIVE EXTENSION WORK IN AGRICULTURE AND HOME ECONOMICS

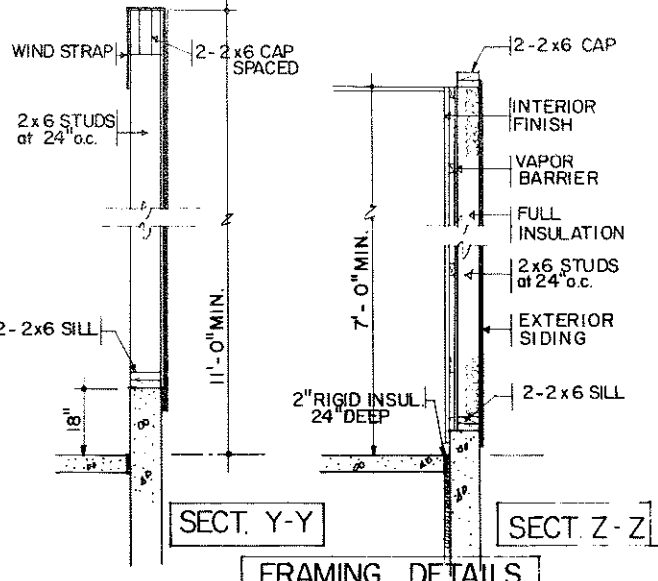
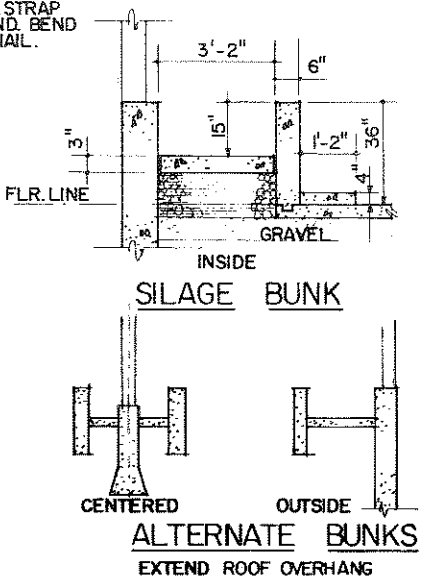
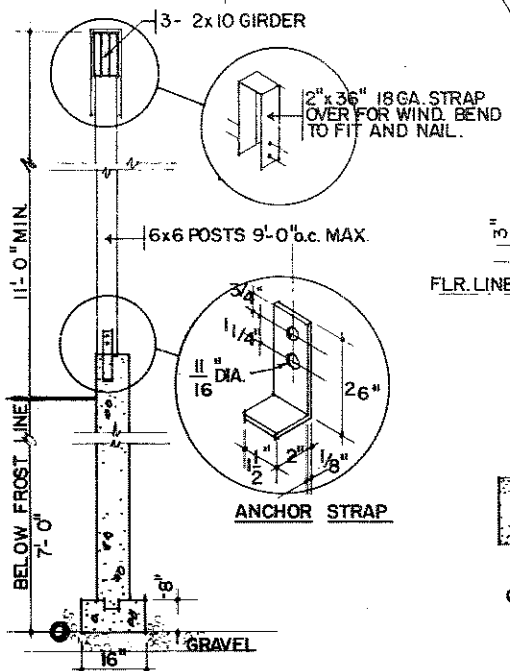
AND UNITED STATES DEPARTMENT OF AGRICULTURE COOPERATING

DAIRY BARN  
ECONOMICAL FREESTALL

MAINE '75 6196 SHEET 1 OF 3



**SECTION A-A**  
showing foundation type construction



- NOTE: 1. ADD EXTRA JOISTS BEFORE INSTALLING GRAIN BINS  
2. SEE BULLETIN # 6 AS REF. ON SHEET 1 FOR LOCATION FOR TANK SUPPORT FOUNDATIONS

48'-0"

SEPARATE PURLINS 8"  
LEAVE ROOF OPENING 4"

CORRUGATED METAL ROOFING  
2x4 PURLINS at 24" o.c.

NOTE:  
PURCHASE TRUSSES TO CARRY 45#, FT<sup>2</sup>  
HORIZONTAL PROJECTION COMBINED  
DEAD AND LIVE LOAD.

USE 2" x 18 GA. WINDSTRAP OVER  
TRUSSES. NAIL TO POSTS AND STUDS.

2x6 BRACE  
3 - 2x10 BEAM  
SEE BRACE DETAIL

10'-0" MIN. a  
11'-0" MIN

SOUTH WALL

10'-8" ALLEY

PLANK INSIDE POSTS

SIDING

2x4 at 24" o.c.

2 2x6s

9'-0" ALLEY

4" FLOOR

4" FLOOR

GRAVEL

10" GRAVEL

6" GRAVEL

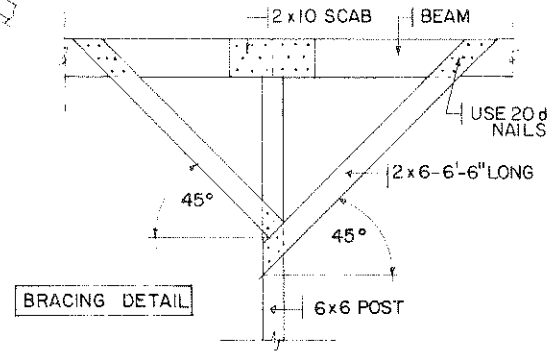
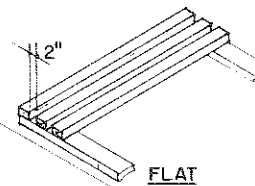
6x6 PRESSURE TREATED  
POSTS 9'-0" o.c. MAX.

a. ALLOW SPACE FOR EQUIPMENT  
AND DOOR TRACKS

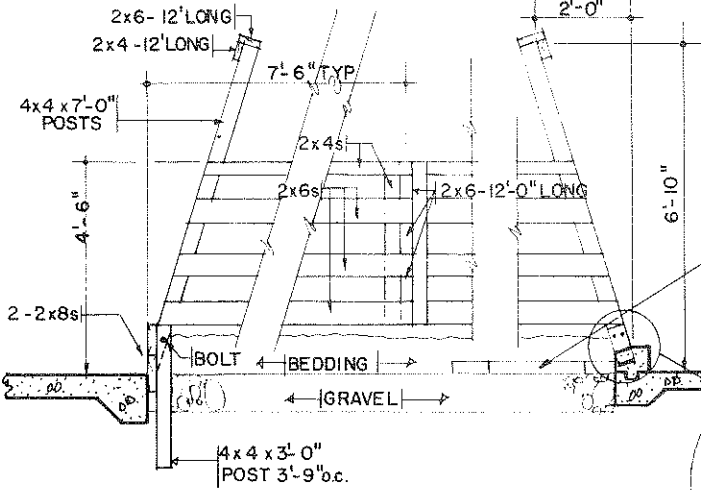
POST PAD BELOW  
FROST LINE

ENCASE POST IN CONC.  
AFTER ALIGNMENT, USE  
CYLINDRICAL FORM.

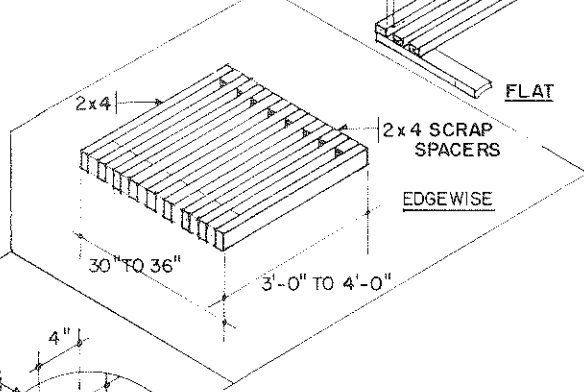
SECTION B-B  
SHOWING ALTERNATE POLE  
TYPE WALL CONSTRUCTION



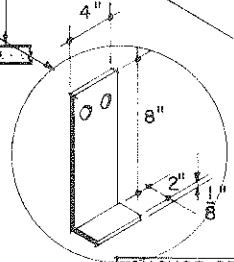
BRACING DETAIL



FREESTALL DETAILS  
SCALE: 1/2" = 1'-0"  
1 1/2" = 6'-0"



BEDDING RETAINER GRIDS



ANCHOR DETAIL

COOPERATIVE EXTENSION WORK IN  
AGRICULTURE AND HOME ECONOMICS

AND  
UNITED STATES DEPARTMENT OF AGRICULTURE COOPERATING

DAIRY BARN  
ECONOMICAL FREESTALL

MAINE '75 6196 SHEET 3 OF 3