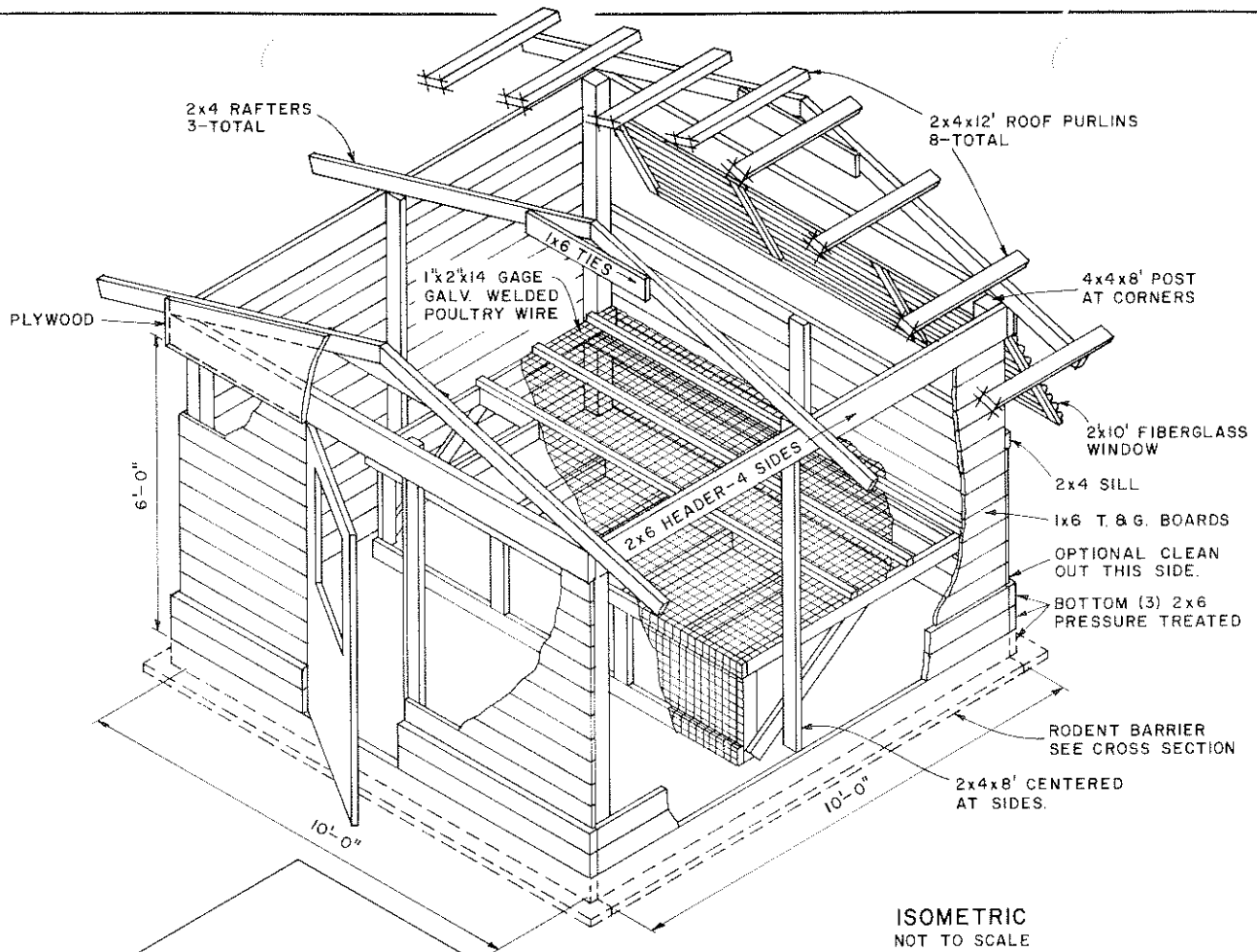
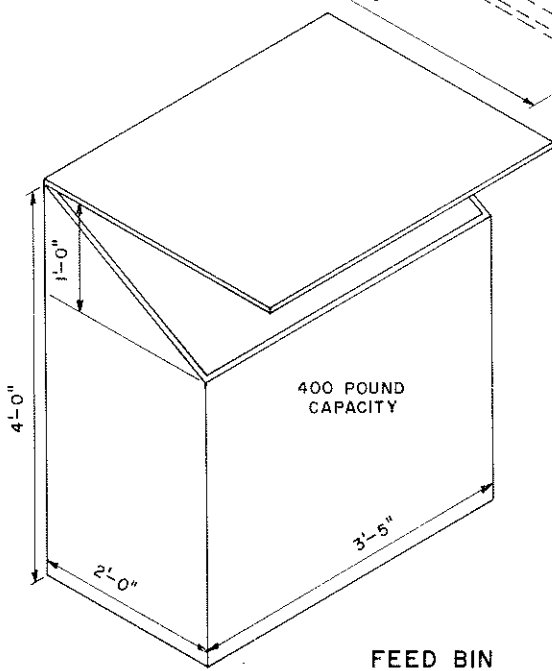


PLAN
SCALE: 1/2" = 1'-0"
12" 6" 0" 1" 2"



ISOMETRIC
NOT TO SCALE



12" 6" 0" 1"
SCALE: 1" = 1'-0" UNLESS OTHERWISE NOTED

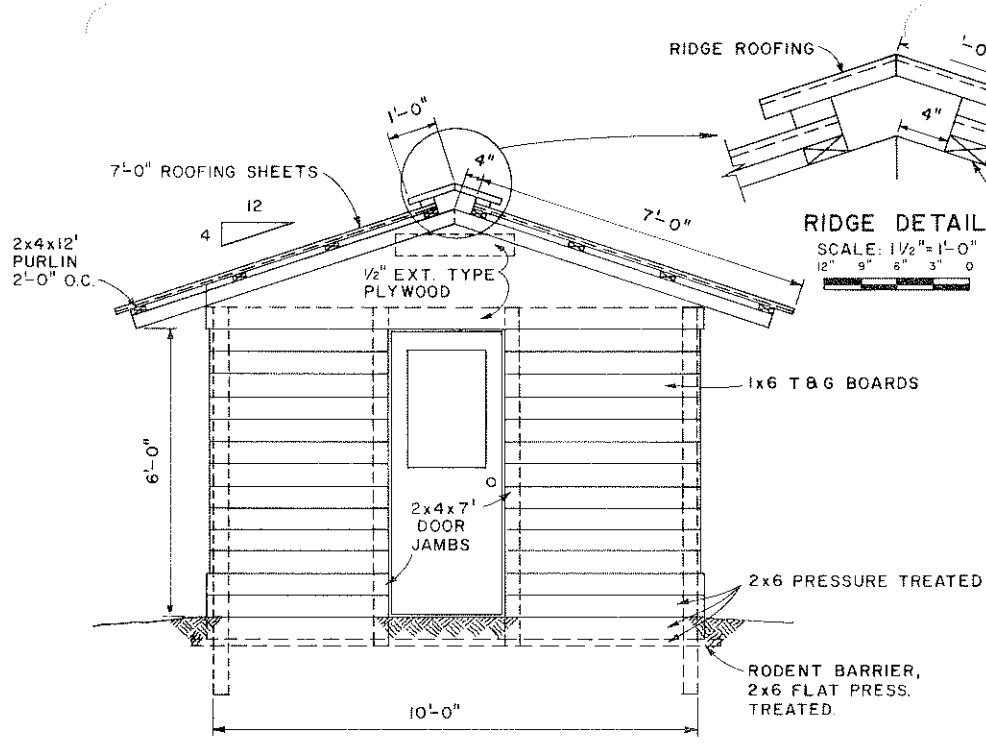
COOPERATIVE EXTENSION WORK IN AGRICULTURE AND HOME ECONOMICS

AND UNITED STATES DEPARTMENT OF AGRICULTURE COOPERATING

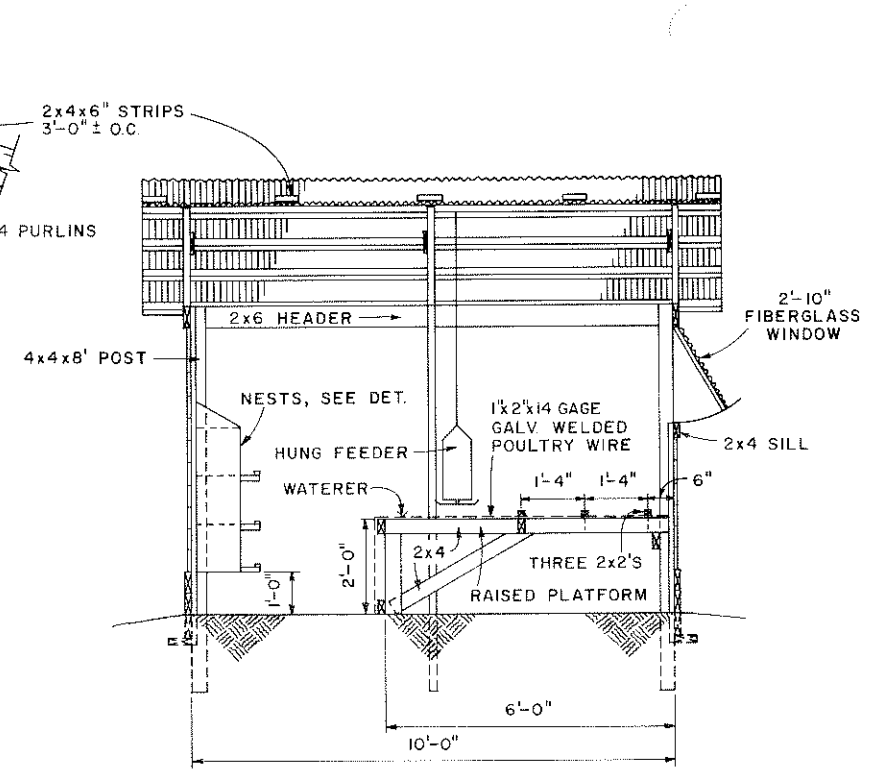
POULTRY HOUSE
40-50 BIRDS

N. J.	'75	6195	SHEET 1 OF 2
-------	-----	------	--------------

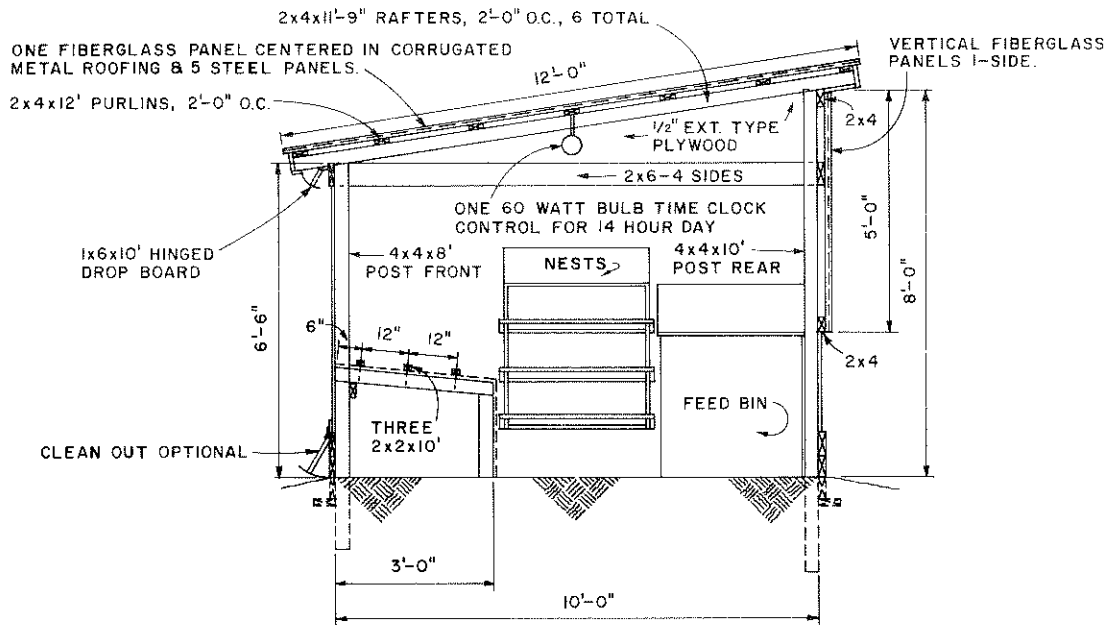
BASED ON: RUTGERS-THE STATE UNIV. OF N.J. PLAN NO. 157



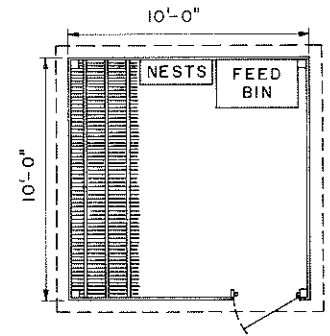
ELEVATION



CROSS SECTION



ALTERNATE ROOF & LAYOUT



PLAN
SCALE: 1/4" = 1'-0"
12" 0' 1' 2' 3' 4' 5'

12" 6" 0' 1' 2' 3'
SCALE: 1/2" = 1'-0" UNLESS OTHERWISE NOTED.

COOPERATIVE EXTENSION WORK IN AGRICULTURE AND HOME ECONOMICS			
AND UNITED STATES DEPARTMENT OF AGRICULTURE COOPERATING			
POULTRY HOUSE 40-50 BIRDS			
N.J.	'75	6195	SHEET 2 OF 2