

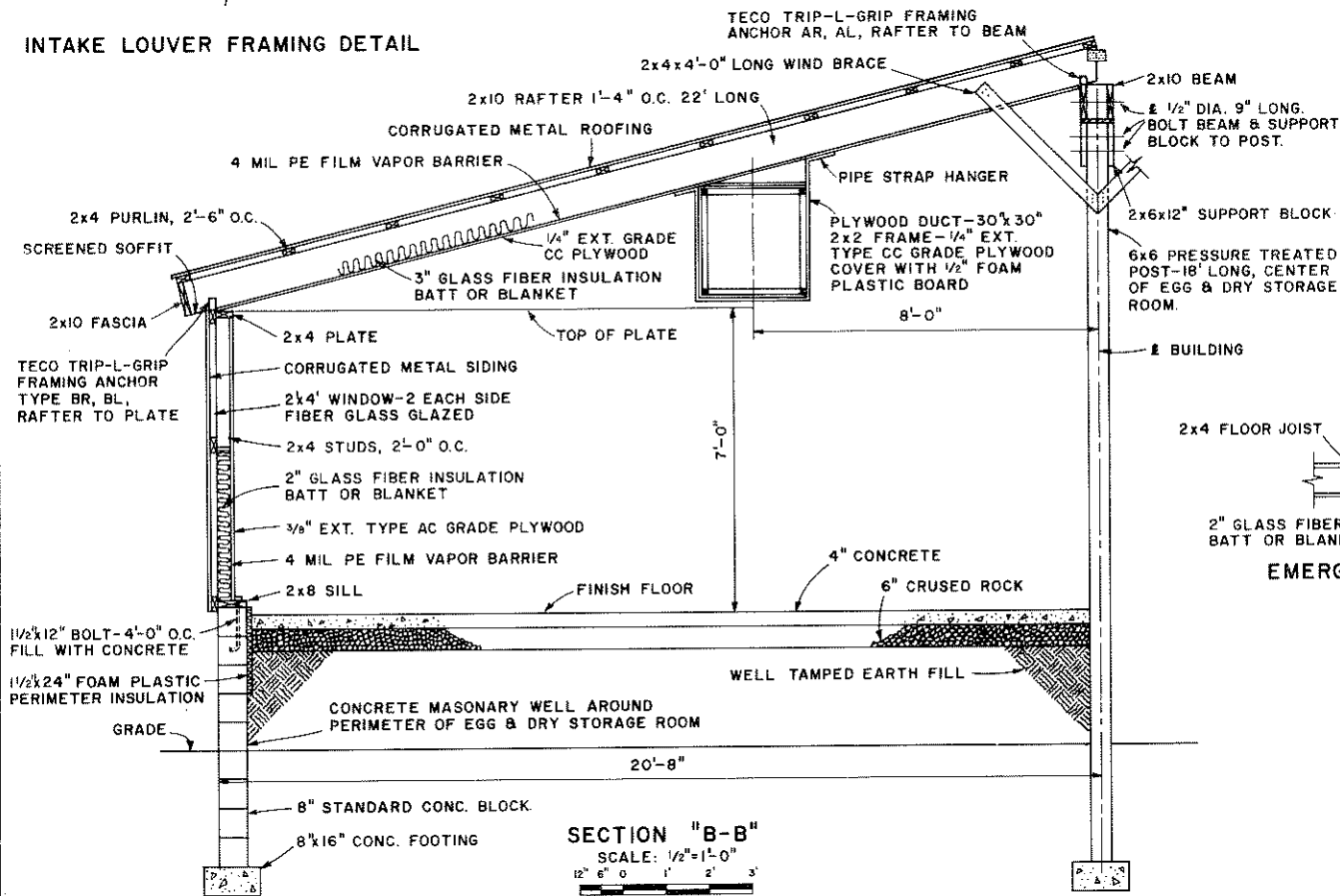
INTAKE LOUVER FRAMING DETAIL

- ### VENTILATION CONTROL SEQUENCE
1. CENTER EXHAUST FAN ON EACH SIDE ON LOW SPEED CONT. LOUVERS IN EACH END OPEN. SLOT INLETS CLOSED. 7,500 CFM.
 2. CENTER EXHAUST FANS SWITCH TO HIGH SPEED. 15,000 CFM.
 3. TWO SINGLE SPEED FANS ON. 30,000 CFM.
 4. TWO SINGLE SPEED FANS ON. SLOT INLETS OPEN. 45,000 CFM.
 5. TWO SINGLE SPEED FANS ON. 60,000 CFM.
 6. TWO SINGLE SPEED FANS ON. 75,000 CFM.

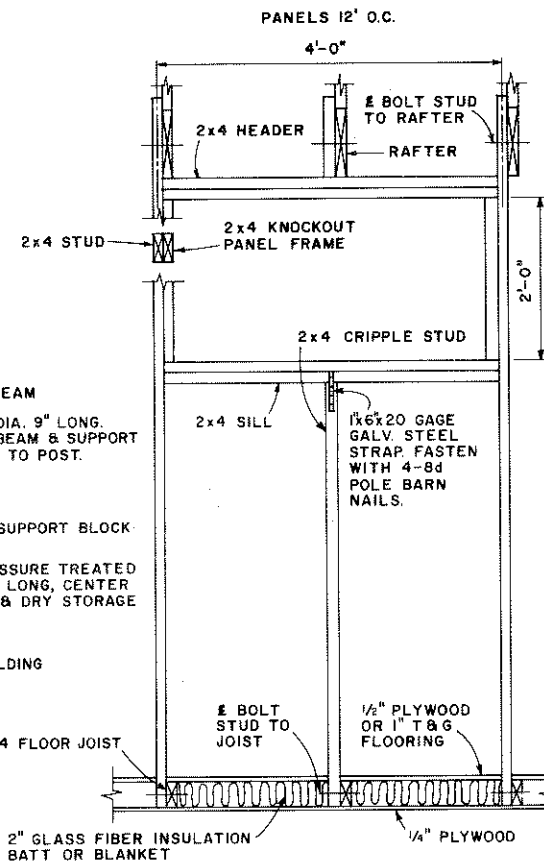
- ### EQUIPMENT
- FANS: 2 ACME DC 30G 25 (TWO SPEED) 15,000 CFM.
 8 ACME DC 30G (SINGLE SPEED) 60,000 CFM.
- LOUVERS: 4 ACME WP 4040 MT MOTORIZED INLET (20,000 CFM) SHUTTER FOR 30" DIA. PE INLET TUBE
- OR EQUIVALENT EQUIPMENT
- CONTROL FANS & LOUVERS WITH 3-2 STAGE THERMOSTATS PROVIDE 200 AMP ELECTRIC SERVICE TO THE BUILDING.

NOTE:
 CHECK LOUVER MANUFACTURERS SPECIFICATIONS FOR EXACT DIMENSIONS.

NOTE:
 SET KNOCKOUT PANEL IN FRAMED OPENING. SECURE WITH 4 BUTTONS, ONE CENTERED EACH SIDE ON INSIDE WALL. LAP CORRUGATED METAL ON SIDES, LAP 2" ON BOTTOM, EXTEND TO SOFFIT.



SECTION "B-B"
 SCALE: 1/2"=1'-0"
 12' 6" 0 1' 2' 3'



EMERGENCY KNOCKOUT PANEL DETAIL

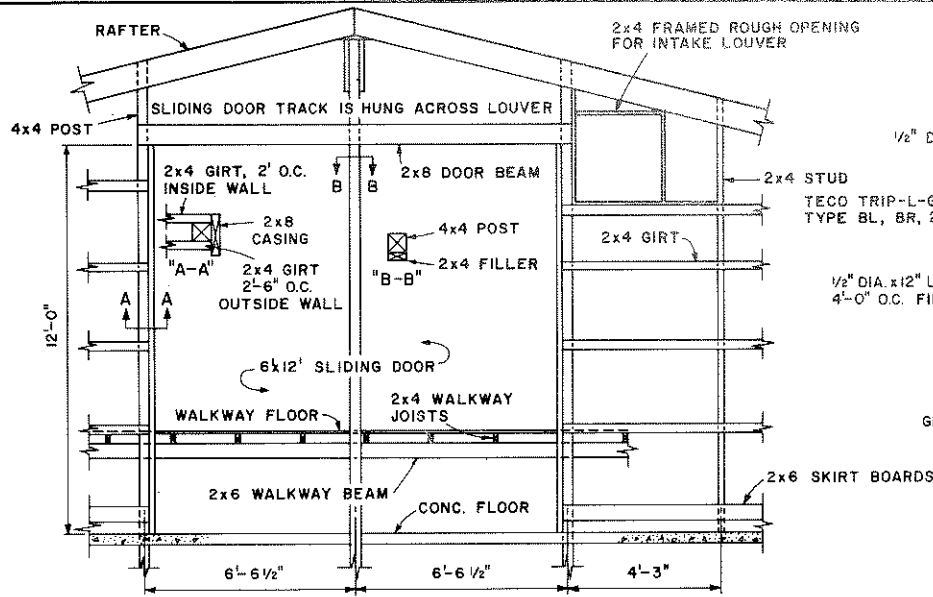
SCALE: 1"=1'-0" UNLESS OTHERWISE NOTED
 12' 9' 6" 3' 0 1'

COOPERATIVE EXTENSION WORK IN AGRICULTURE AND HOME ECONOMICS

AND UNITED STATES DEPARTMENT OF AGRICULTURE COOPERATING

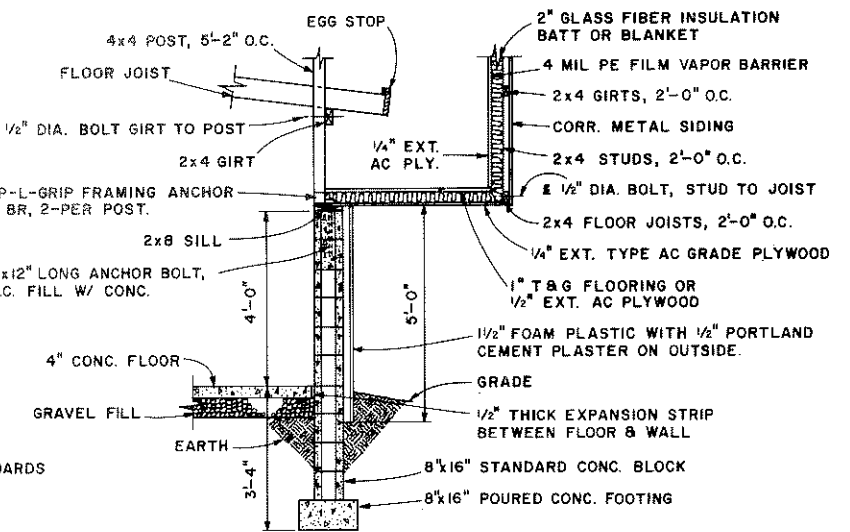
LAYER HOUSE
 15,000 BIRDS

PA. '75 6189 SHEET 3 OF 4

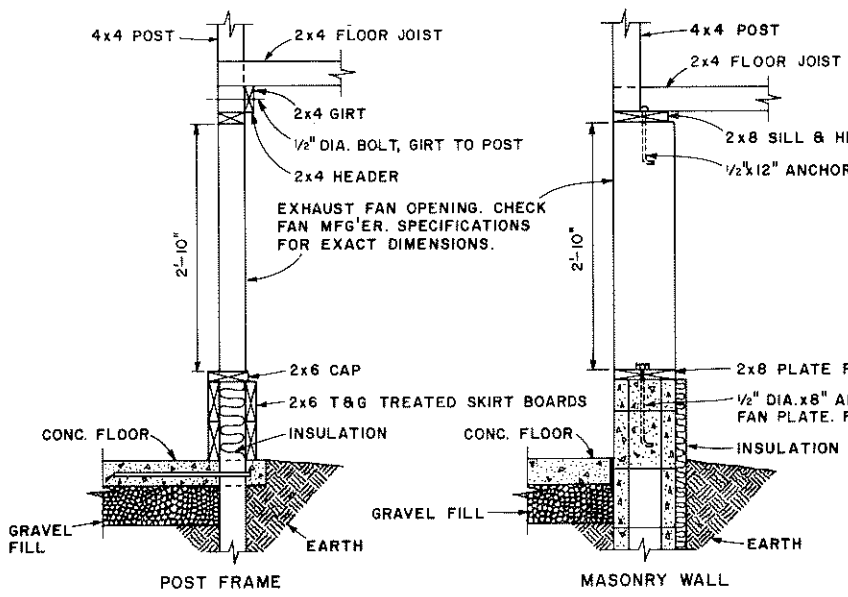


END & DOOR FRAMING

SCALE: 3/8" = 1'-0"
12" 6" 3" 0" 1' 2' 3'

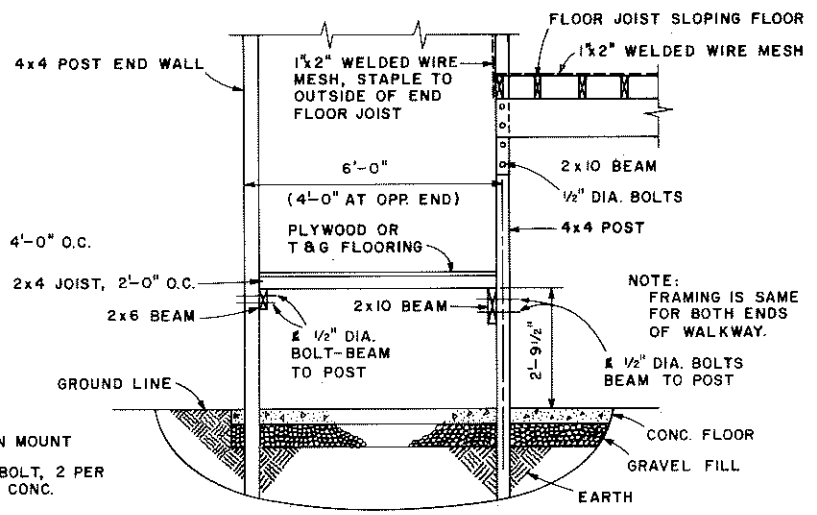


MASONRY PIT WALL OPTION



FAN OPENING DETAILS

SCALE: 1" = 1'-0"
12" 9" 6" 3" 0" 1'



END WALKWAY FRAMING DETAIL AT & BUILDING

SCALE: 1/2" = 1'-0" UNLESS OTHERWISE NOTED.
12" 6" 0" 1' 2' 3'

COOPERATIVE EXTENSION WORK IN AGRICULTURE AND HOME ECONOMICS		
AND UNITED STATES DEPARTMENT OF AGRICULTURE COOPERATING		
LAYER HOUSE		
15,000 BIRDS		
PA. '75	6189	SHEET 4 OF 4