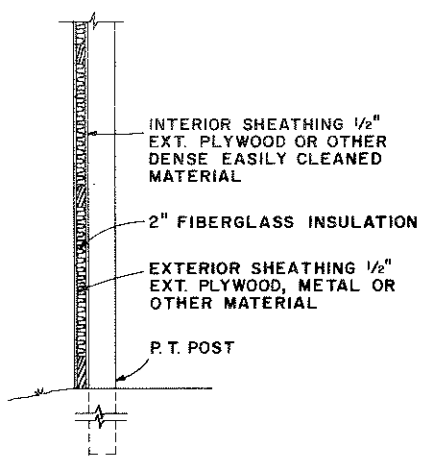


NOTE:
BUILD ROOF FRAME IN TWO PANELS
NAIL EACH PANEL TO PRESSURE
TREATED (P.T.) POSTS, THEN ATTACH
THE TWO OUTSIDE PURLINS.

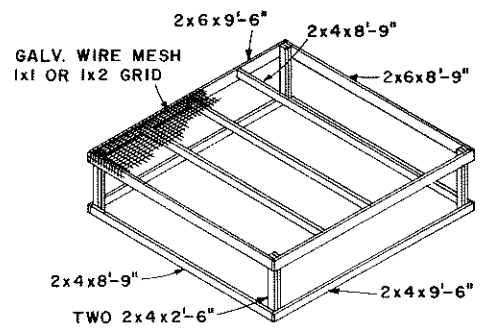
FRAME PICTORIAL

NOTES:
TOTAL OUTSIDE DIMENSIONS AFTER
CONSTRUCTION APPROXIMATELY 12'x16'.
FLOOR MAY BE DIRT OR CONCRETE.
CONSULT LOCAL HEALTH AND BUILDING
CODE AUTHORITIES BEFORE STARTING
CONSTRUCTION.



TYPICAL WALL SECTION

SCALE: 3/4" = 1'-0"
12' 9" 6" 3" 0"



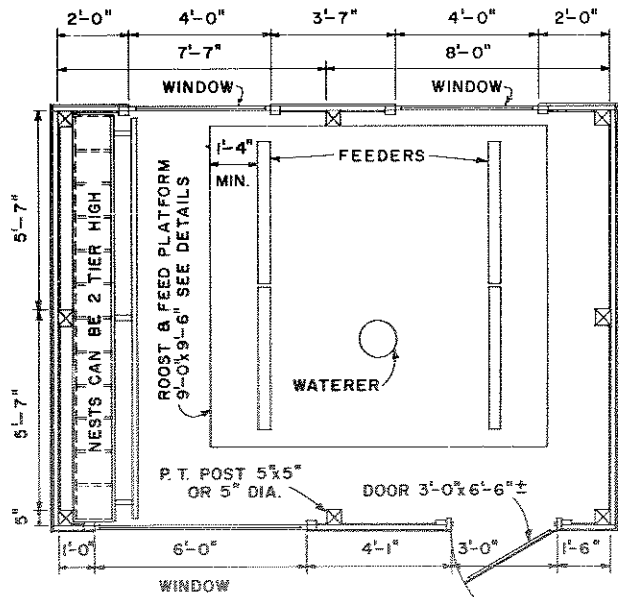
NOTE:
ENCLOSE BOTH ENDS AND ONE SIDE WITH
1/2" EXT. PLYWOOD. OPEN SIDE TO FACE
OUTSIDE CLEAN-OUT DOOR. MUST BE
BUILT INSIDE OF HOUSE.

ROOST & FEED PLATFORM DETAILS

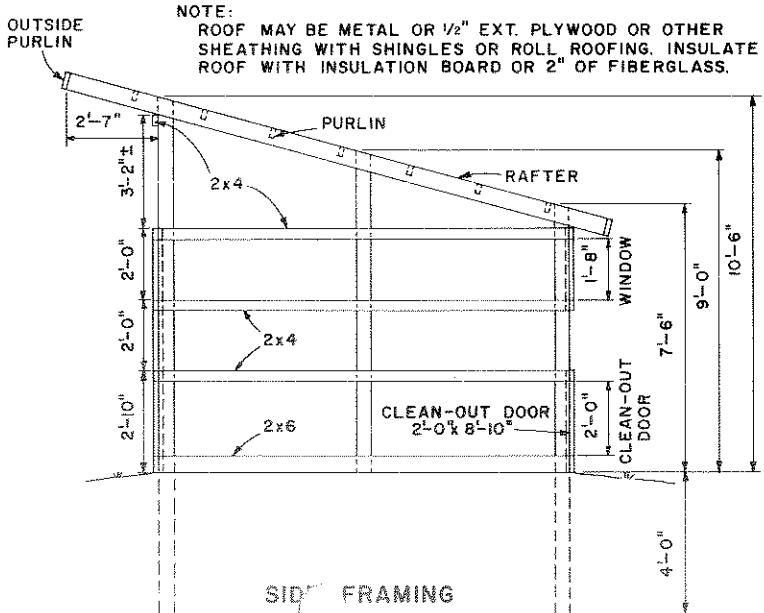
SCALE: 1/4" = 1'-0"
12' 6" 0" 1' 2' 3' 4"

BASED ON: W. VA. UNIV.
PLAN NO. PO 146

OTHERWISE NOTED
12' 6" 0" 1' 2' 3' 4"



FLOOR PLAN



SIDE FRAMING

COOPERATIVE EXTENSION WORK IN
AGRICULTURE AND HOME ECONOMICS

AND
UNITED STATES DEPARTMENT OF AGRICULTURE COOPERATING

POULTRY HOUSE
50 TO 80 LAYERS

W. VA.	'74	6188	SHEET 1 OF 1
--------	-----	------	--------------