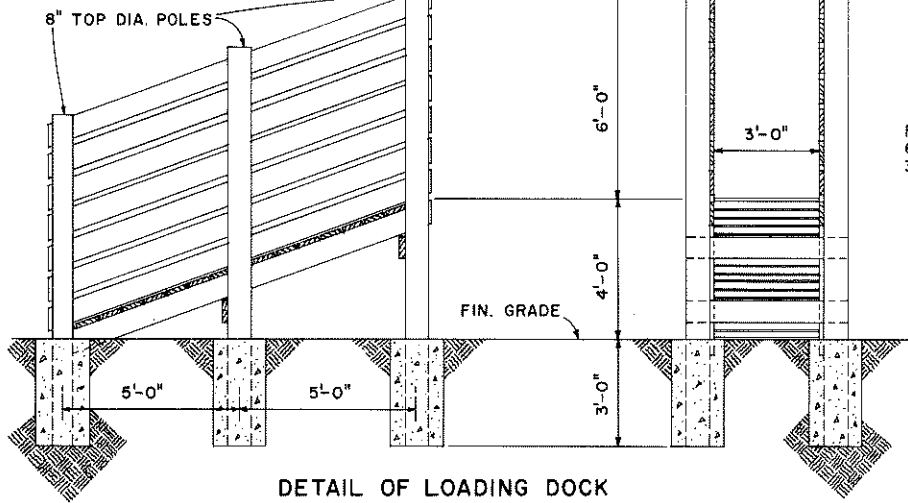


NOTE:
ALL LUMBER 2x8'S

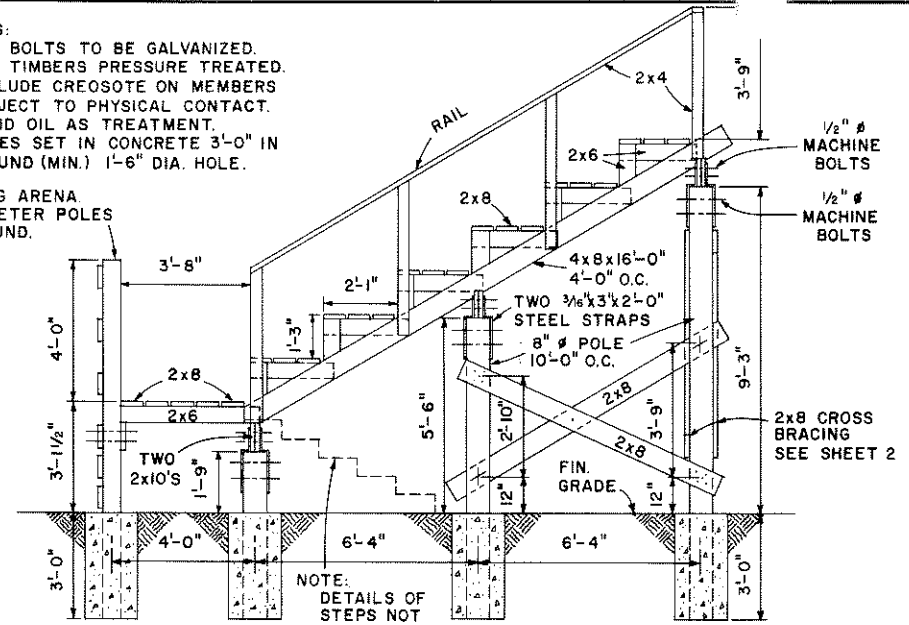


DETAIL OF LOADING DOCK

SCALE: 3/8" = 1'-0"
12" 6" 0" 1' 2' 3'

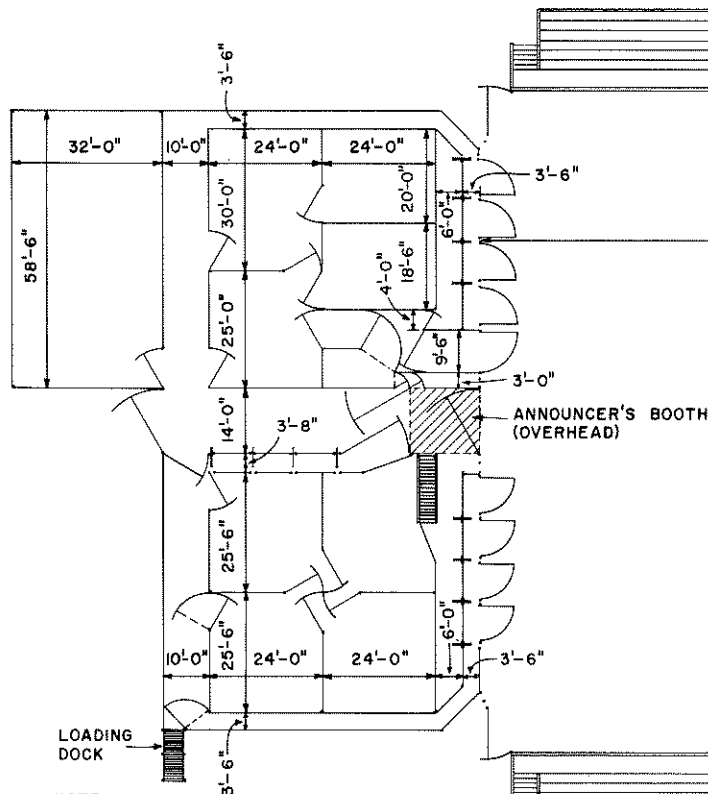
NOTES:
ALL BOLTS TO BE GALVANIZED.
ALL TIMBERS PRESSURE TREATED.
EXCLUDE CREOSOTE ON MEMBERS
SUBJECT TO PHYSICAL CONTACT.
AVOID OIL AS TREATMENT.
POLES SET IN CONCRETE 3'-0" IN
GROUND (MIN.) 1'-6" DIA. HOLE.

FENCE ALONG ARENA.
6" TOP DIAMETER POLES
3'-0" IN GROUND.



GRANDSTAND DETAILS

SCALE: 3/8" = 1'-0"
12" 6" 0" 1' 2' 3'



ARENA

PLAN

SCALE: 1" = 20'-0"
10" 5" 0" 10' 20'

NOTE:
CONSULT LOCAL CODES AND BUILDING
AUTHORITIES BEFORE STARTING
CONSTRUCTION.

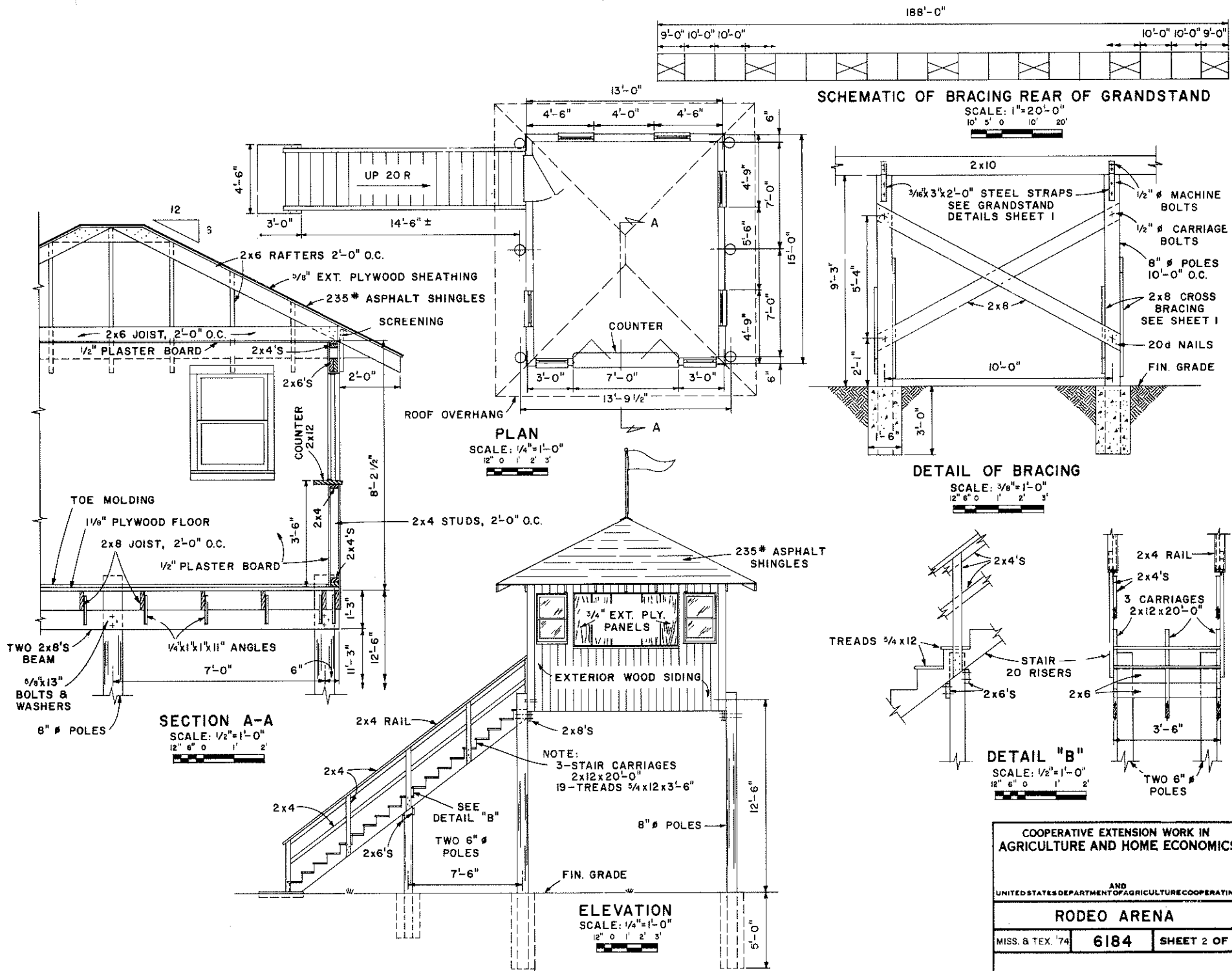
COOPERATIVE EXTENSION WORK IN
AGRICULTURE AND HOME ECONOMICS

AND
UNITED STATES DEPARTMENT OF AGRICULTURE COOPERATING

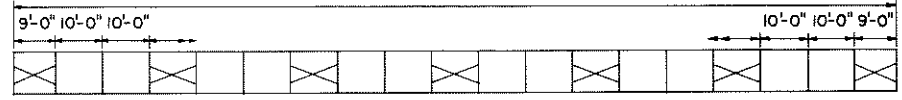
RODEO ARENA

MISS. & TEX. '74 6184 SHEET 1 OF 3

ADOPTED FROM TEXAS A&M PLAN NO. 500 & MISS. PLAN NO. 6015 A

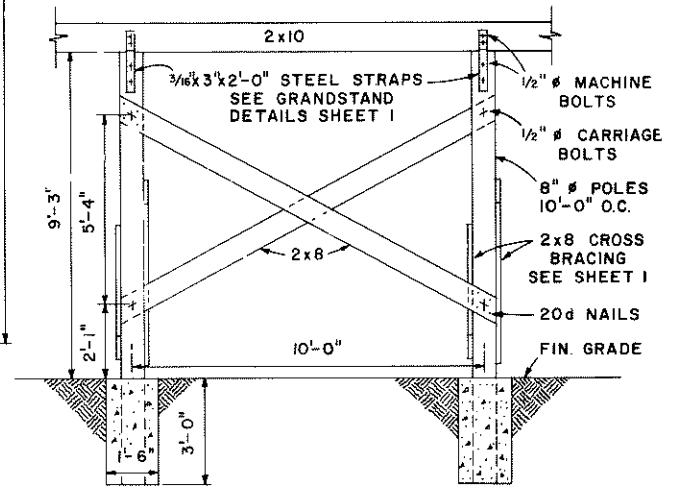


188'-0"



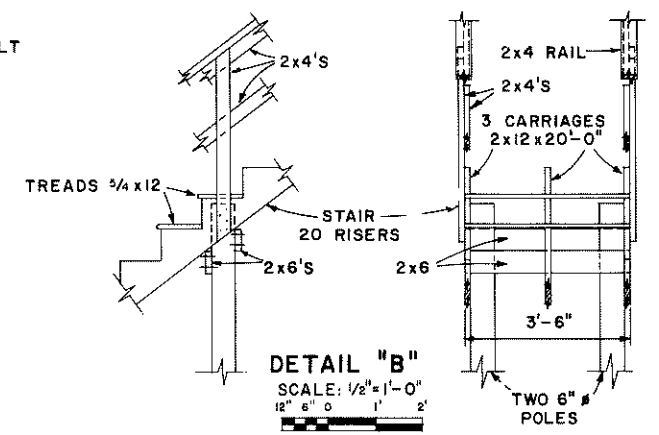
SCHEMATIC OF BRACING REAR OF GRANDSTAND

SCALE: 1" = 20'-0"
10' 5' 0" 10' 20'



DETAIL OF BRACING

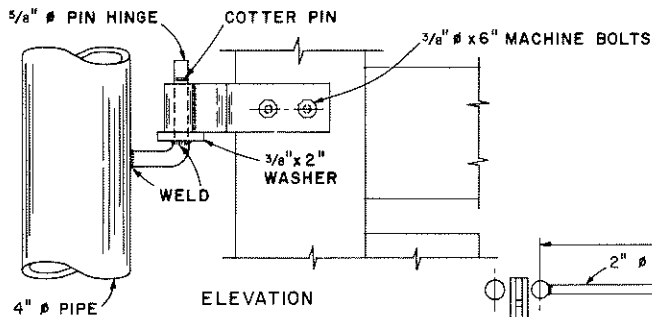
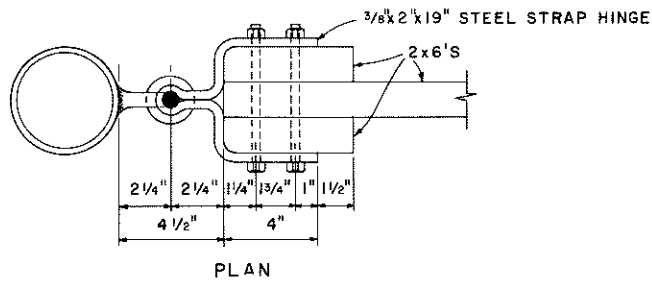
SCALE: 3/8" = 1'-0"
12" 6" 0" 1' 2" 3"



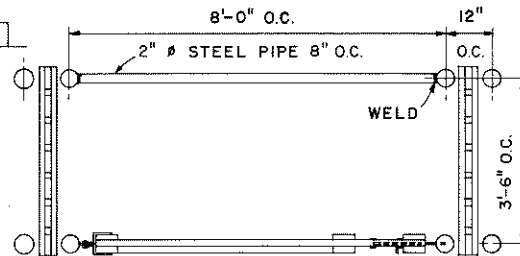
DETAIL "B"

SCALE: 1/2" = 1'-0"
12" 6" 0" 1' 2"

COOPERATIVE EXTENSION WORK IN AGRICULTURE AND HOME ECONOMICS		
AND UNITED STATES DEPARTMENT OF AGRICULTURE COOPERATING		
RODEO ARENA		
MISS. & TEX. '74	6184	SHEET 2 OF 3

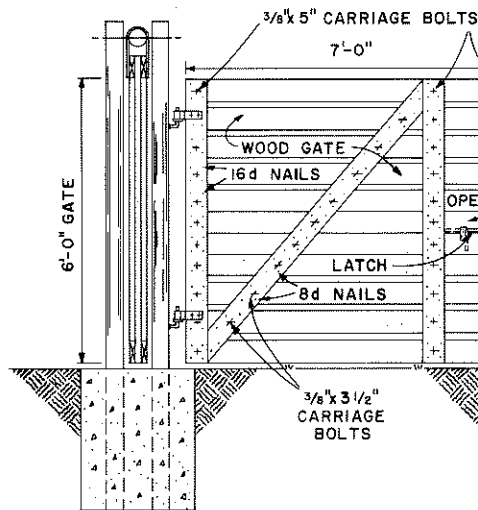


DETAIL "A"
SCALE: 3" = 1'-0"
6" 5" 4" 3" 2" 1" 0



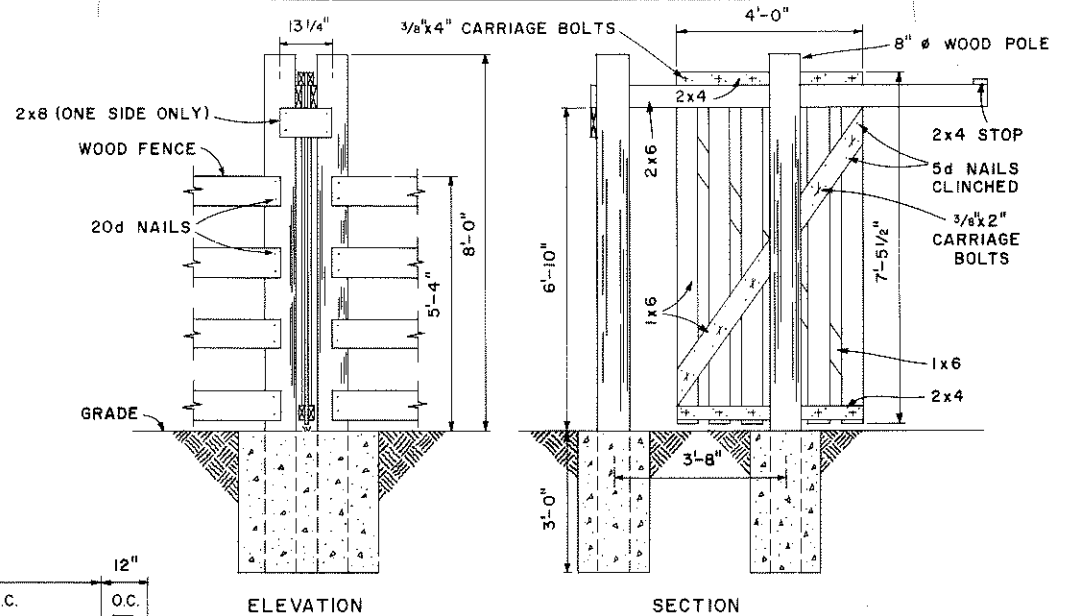
NOTE:
ALL LUMBER 2x6'S

HINGE (SEE DETAIL A)



DETAILS OF TYPICAL BRONC CHUTE

SCALE: 1/2" = 1'-0"
12" 8" 0 1' 2' 3'

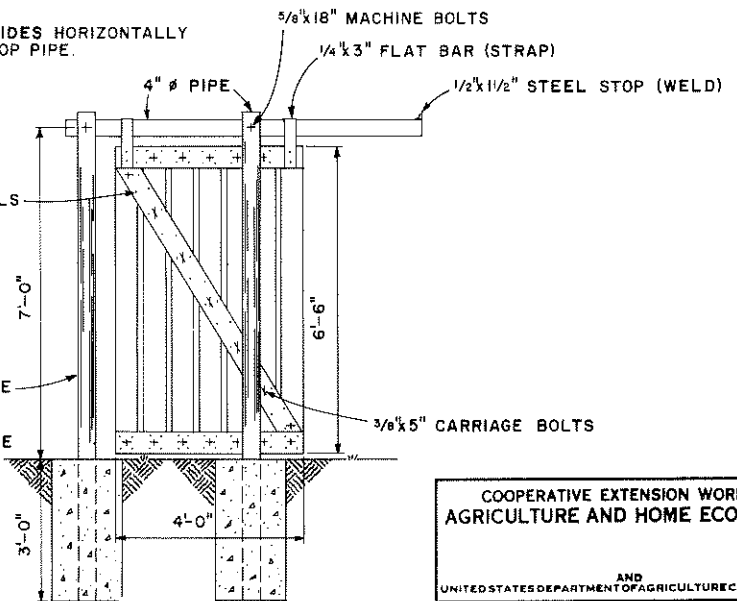


DETAILS OF CENTER CHUTE GATES

SCALE: 1/2" = 1'-0"
12" 6" 0 1' 2' 3'

NOTE:
GATE SLIDES HORIZONTALLY
ON TOP OF 2x6'S.

NOTE:
GATE SLIDES HORIZONTALLY
ALONG TOP PIPE.



COOPERATIVE EXTENSION WORK IN
AGRICULTURE AND HOME ECONOMICS

AND
UNITED STATES DEPARTMENT OF AGRICULTURE COOPERATING

RODEO ARENA

MISS. & TEX. '74

6184

SHEET 3 OF 3