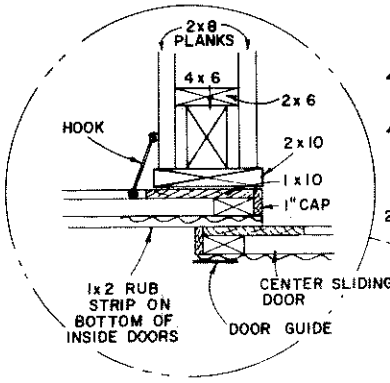
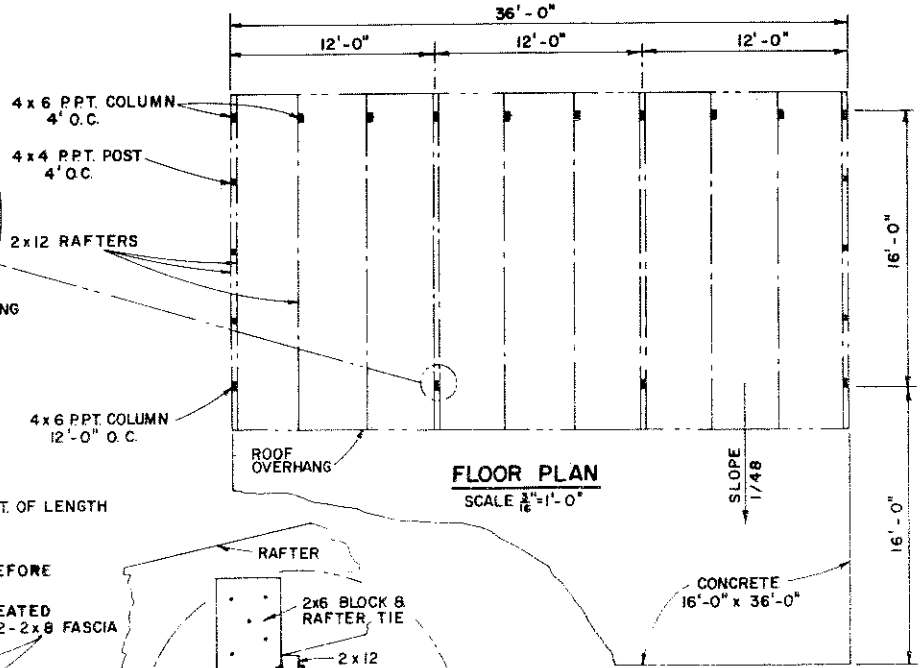


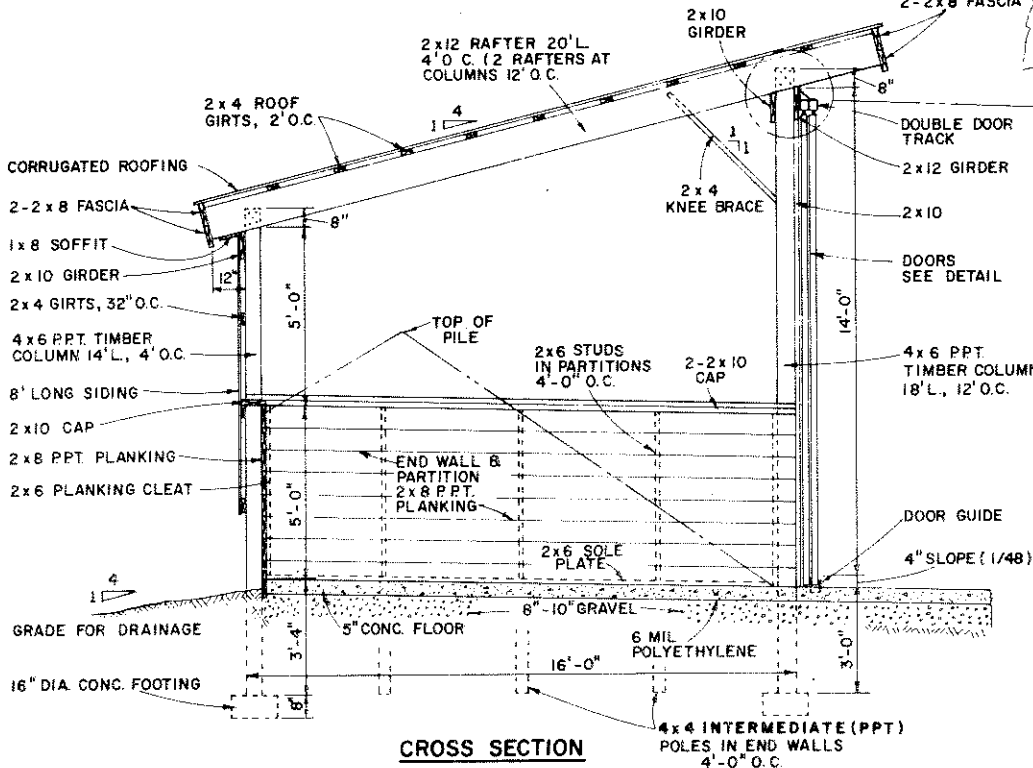
RAFTER ANCHORAGE
NO SCALE



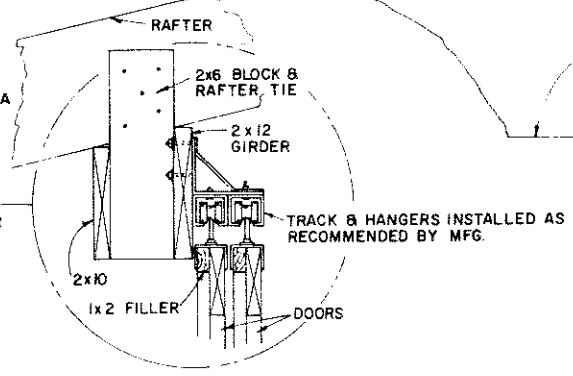
- NOTE: 1. CAPACITY-FERTILIZER APPROX 2 TONS/FT. OF LENGTH
 2. ROOF LOAD DESIGNED FOR 30 P.S.F
 3. LUMBER STRESS - $f = 1200$ P.S.I.
 4. CHECK DUMPING OR FILLING HEIGHT BEFORE STARTING CONSTRUCTION.
 5. (PPT) PRESERVATIVE PRESSURE-TREATED



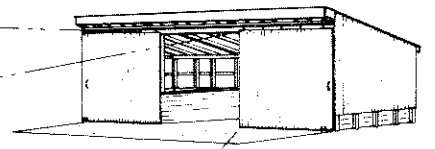
FLOOR PLAN
SCALE $\frac{1}{16} = 1'-0''$



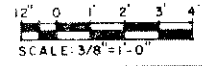
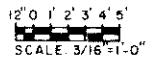
CROSS SECTION
SCALE $\frac{1}{4} = 1'-0''$



DOOR DETAIL
NO SCALE



PERSPECTIVE



BASED ON: CORNELL UNIV. PL. 841
 COOPERATIVE EXTENSION WORK IN
 AGRICULTURE AND HOME ECONOMICS
 UNITED STATES DEPARTMENT OF AGRICULTURE COOPERATING
BULK STORAGE SHED
 N.Y. '73 EX. 6176 SHEET 1 OF 1