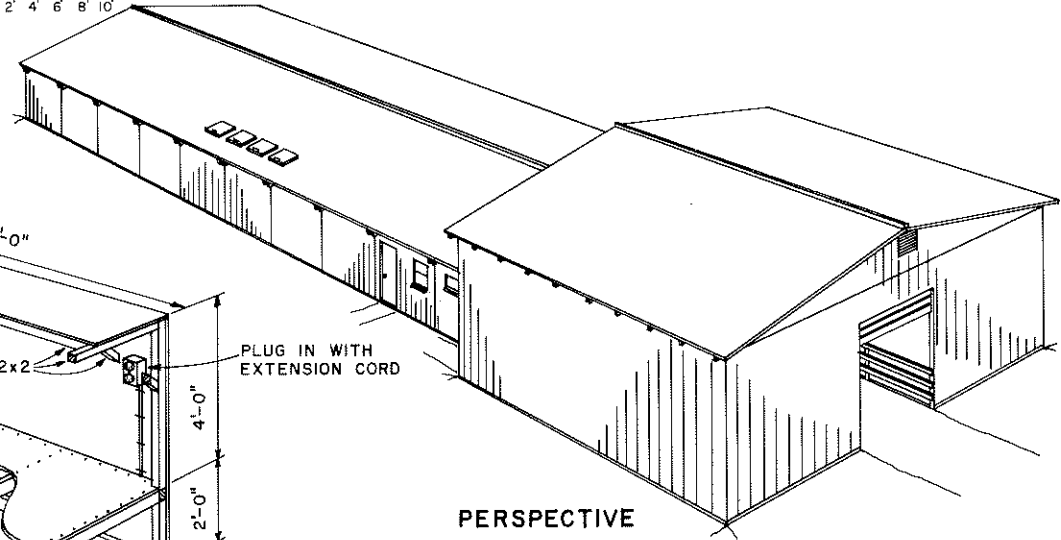
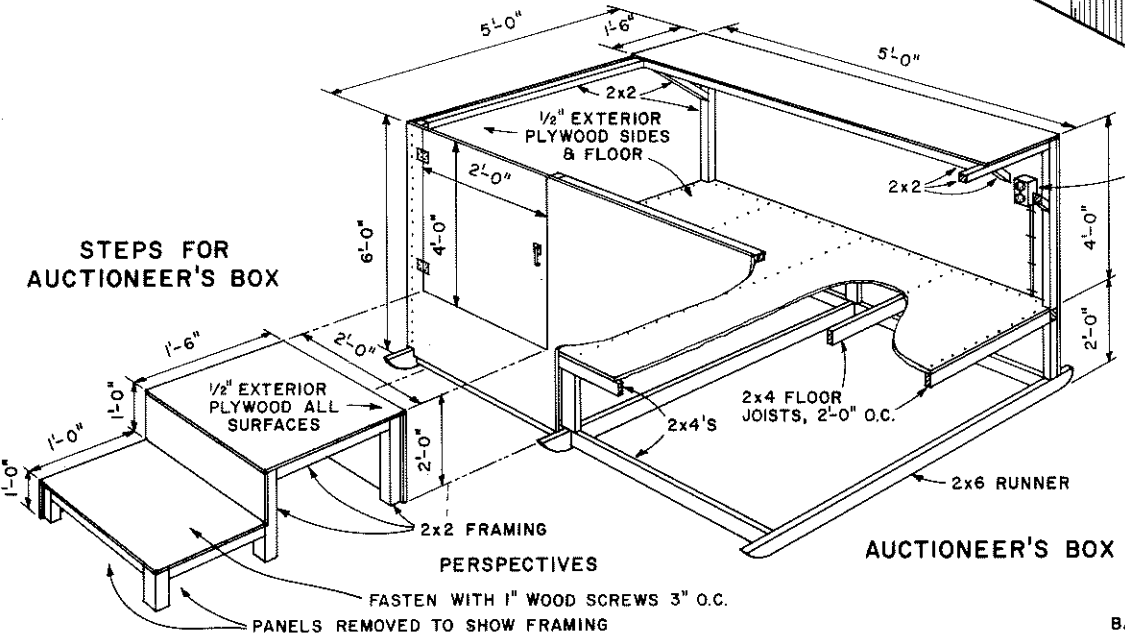


FLOOR PLAN

NOTE:  
CONSULT LOCAL HEALTH AND  
BUILDING CODE AUTHORITIES  
BEFORE STARTING CONSTRUCTION.



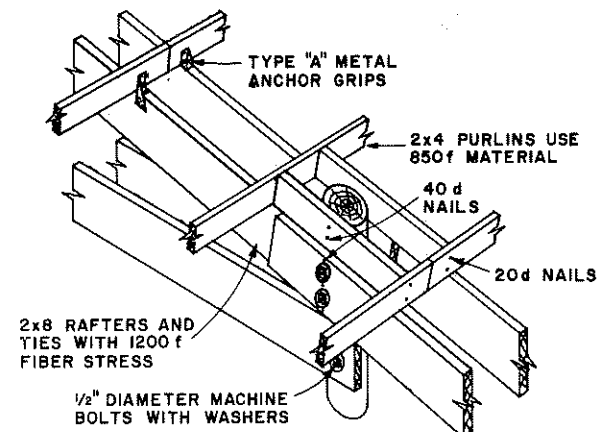
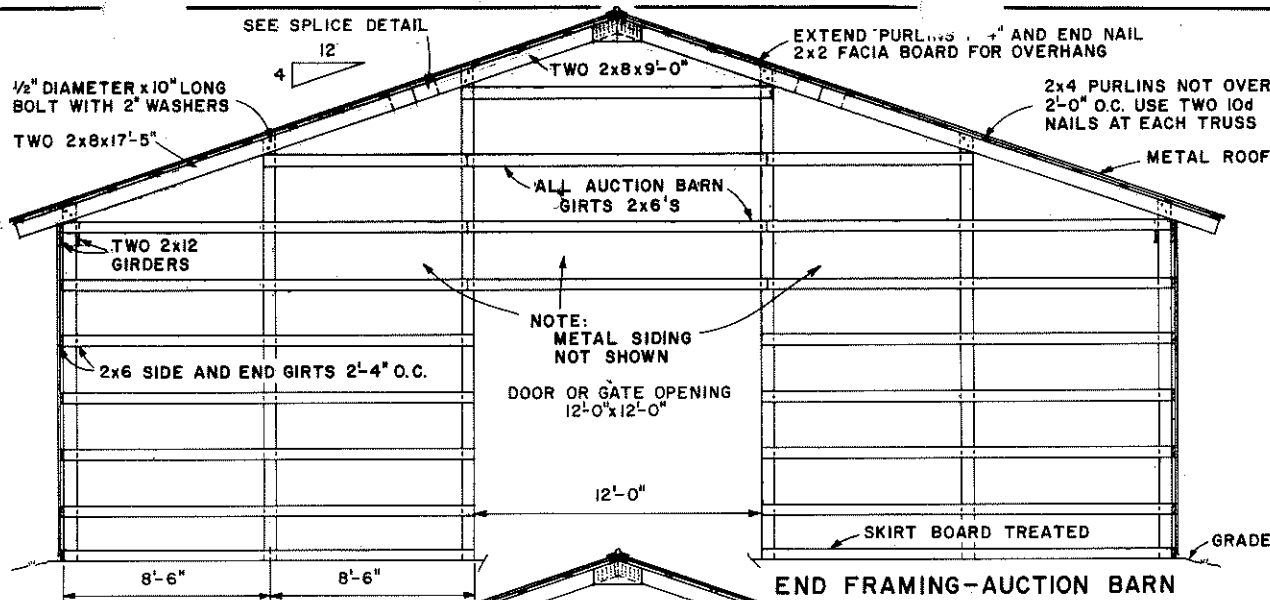
PERSPECTIVE



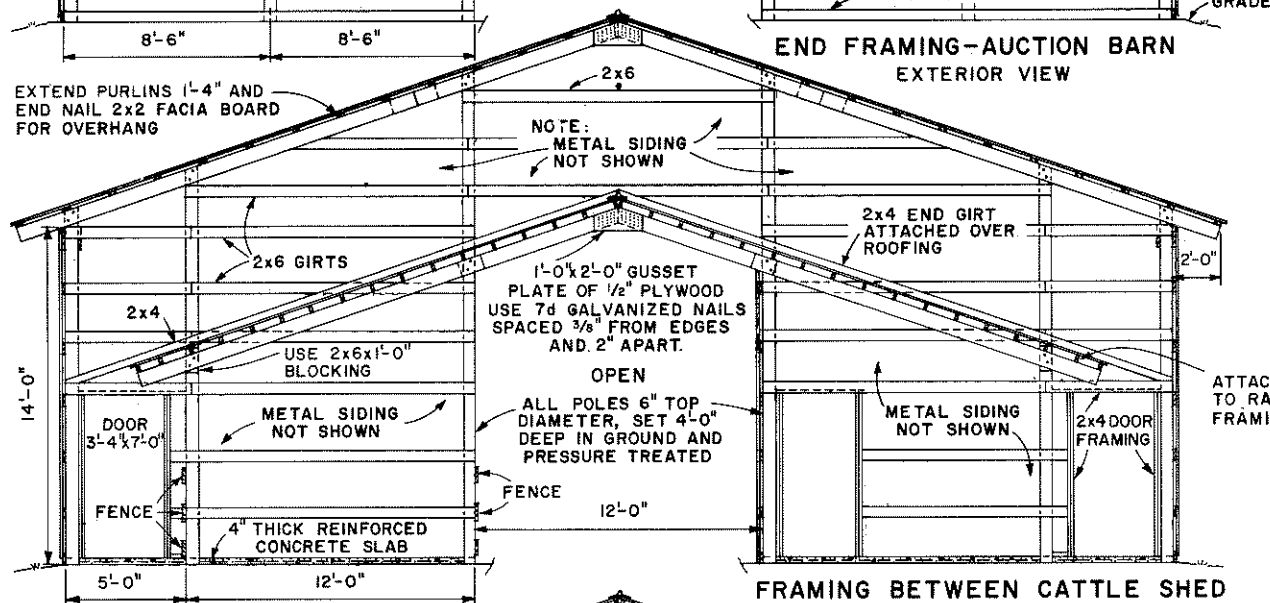
AUCTIONEER'S BOX

COOPERATIVE EXTENSION WORK IN AGRICULTURE AND HOME ECONOMICS			
AND UNITED STATES DEPARTMENT OF AGRICULTURE COOPERATING			
CATTLE SHED AND AUCTION BARN			
WYO.	'73	6172	SHEET 1 OF 3

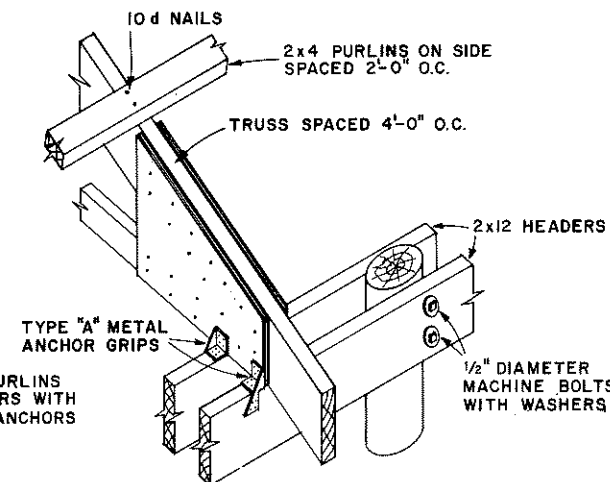
BASED ON: UNIV. OF WYOMING PLAN NO. 69



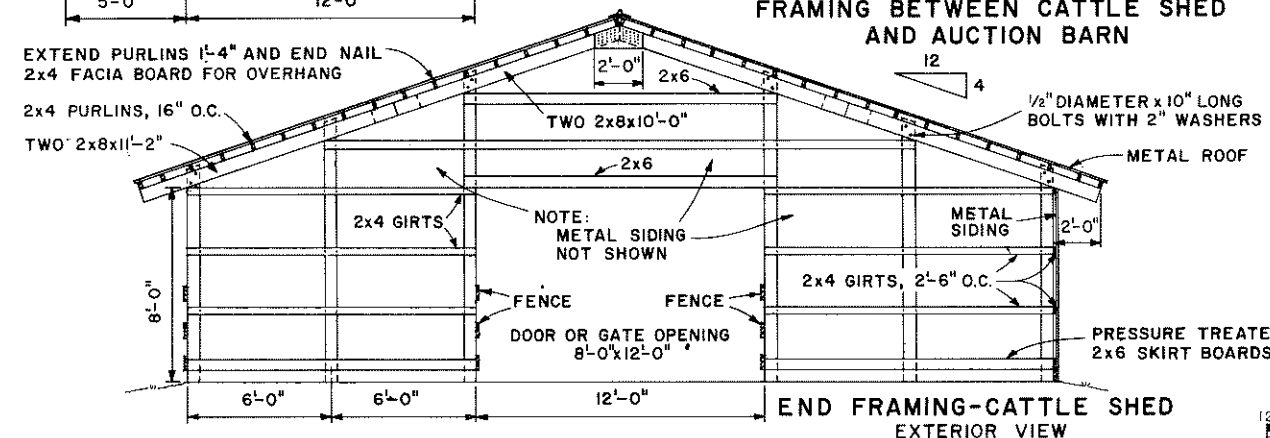
PURLIN TIE AT RAFTER AND POLE  
PERSPECTIVE



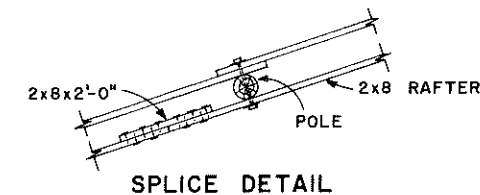
FRAMING BETWEEN CATTLE SHED AND AUCTION BARN



TRUSS ATTACHMENT TO HEADER  
ISOMETRIC



END FRAMING-CATTLE SHED  
EXTERIOR VIEW



SPLICE DETAIL



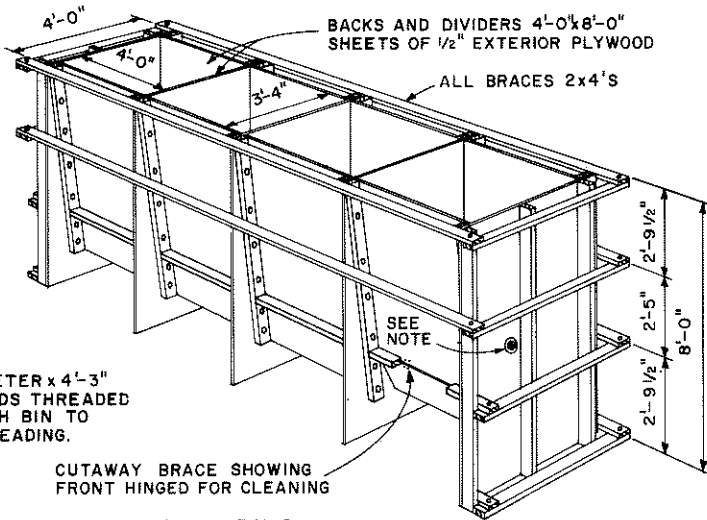
COOPERATIVE EXTENSION WORK IN  
AGRICULTURE AND HOME ECONOMICS

AND  
UNITED STATES DEPARTMENT OF AGRICULTURE COOPERATING

CATTLE SHED AND  
AUCTION BARN

WYO. '73 6172 SHEET 2 OF 3



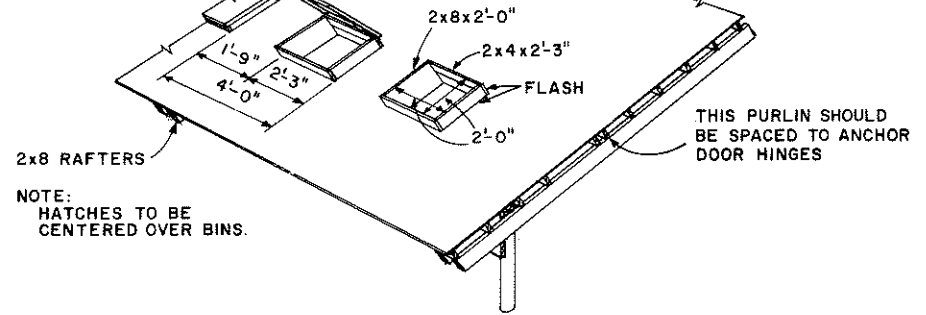


NOTE:  
USE 1/2" DIAMETER x 4'-3"  
ROD WITH ENDS THREADED  
THROUGH EACH BIN TO  
PREVENT SPREADING.

CUTAWAY BRACE SHOWING  
FRONT HINGED FOR CLEANING

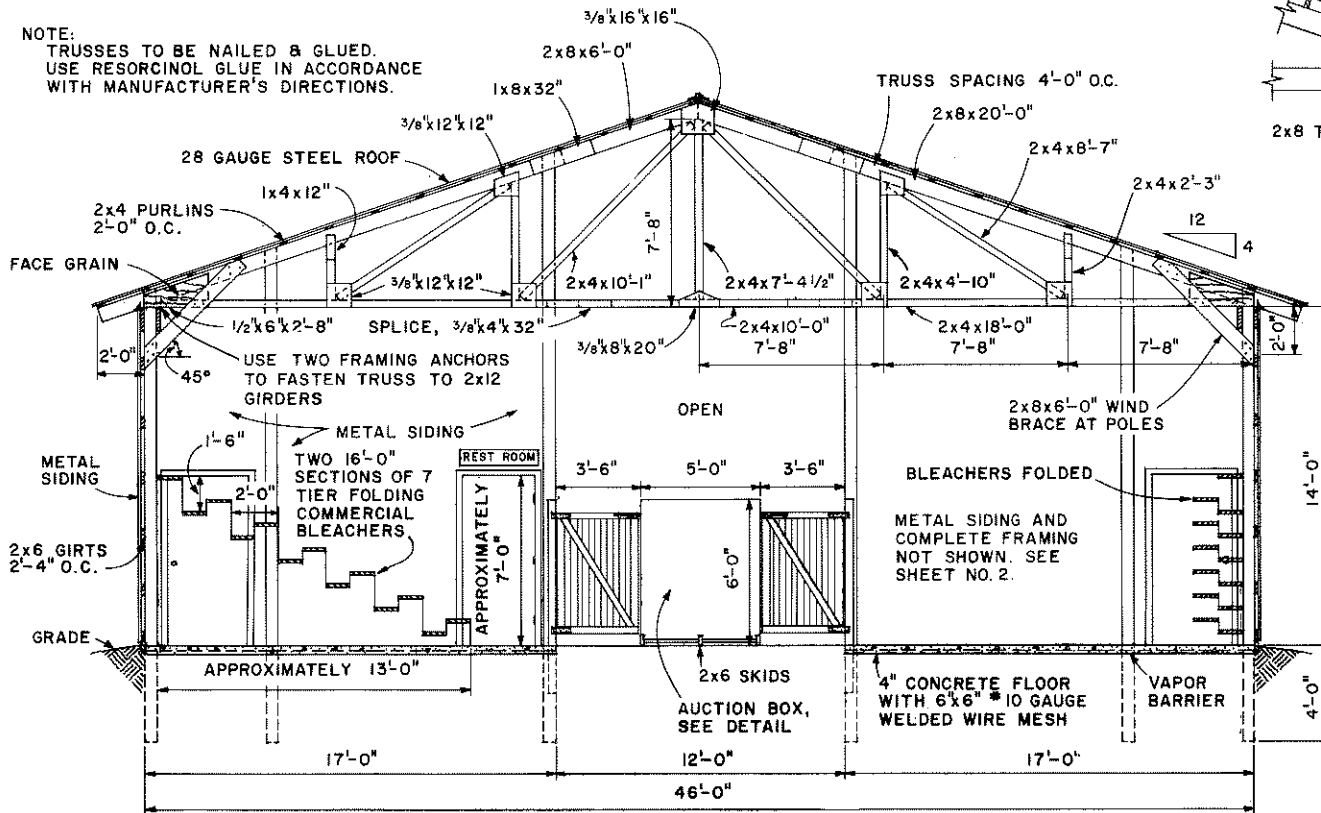
FEED BINS  
PERSPECTIVE

DOOR MADE FROM  
2'-6" x 2'-6" 28 GAUGE  
GALVANIZED STEEL.  
USE 1 1/2" LIP



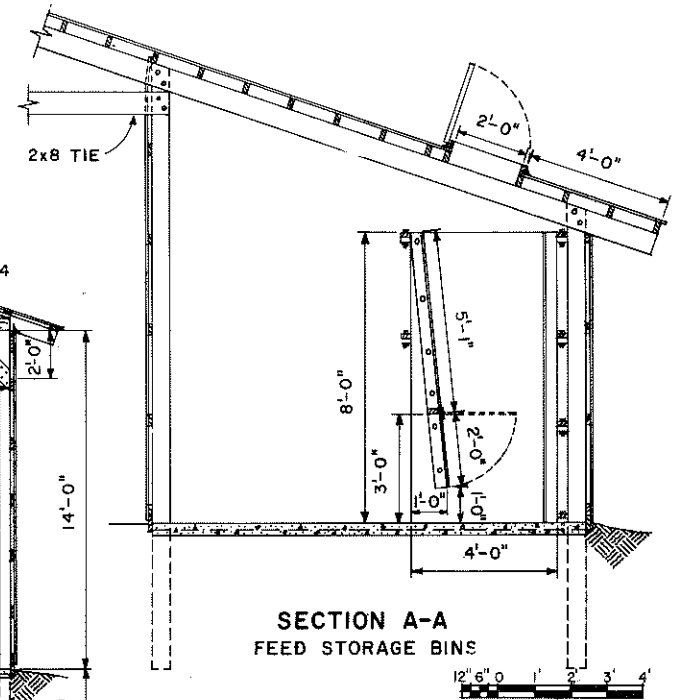
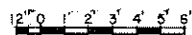
ROOF HATCHES FOR FILLING BINS  
PERSPECTIVE

NOTE:  
TRUSSES TO BE NAILED & GLUED.  
USE RESORCINOL GLUE IN ACCORDANCE  
WITH MANUFACTURER'S DIRECTIONS.



NOTE:  
USE ARTIFICIAL LIGHTING OR  
TRANSLUCENT FIBERGLASS  
ROOF PANELS.

ELEVATION "A"



COOPERATIVE EXTENSION WORK IN  
AGRICULTURE AND HOME ECONOMICS

AND  
UNITED STATES DEPARTMENT OF AGRICULTURE COOPERATING

CATTLE SHED AND  
AUCTION BARN

WYO. '73 6172 SHEET 3 OF 3