

NOTES:

CONSULT LOCAL HEALTH AUTHORITIES BEFORE STARTING CONSTRUCTION TO BE SURE THAT THE PLAN CONFORMS WITH LOCAL AND STATE REGULATIONS.

DIMENSIONS OF MEMBERS SHOWN OTHER THAN POLES ARE BASED ON THE USE OF DRESSED LUMBER.

PRESSURE-TREATED WOOD SHOULD RETAIN THE EQUIVALENT OF 0 LBS. OF CREOSOTE PER CUBIC FOOT.

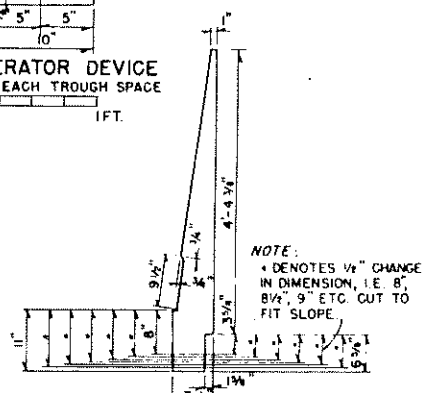
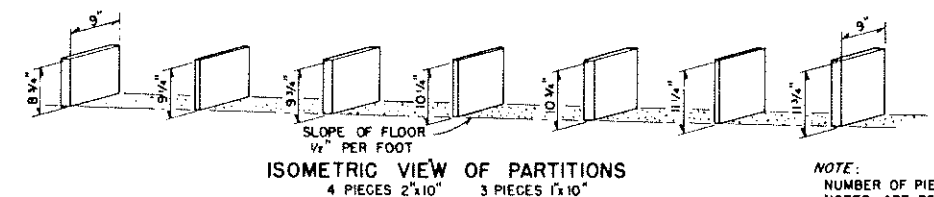
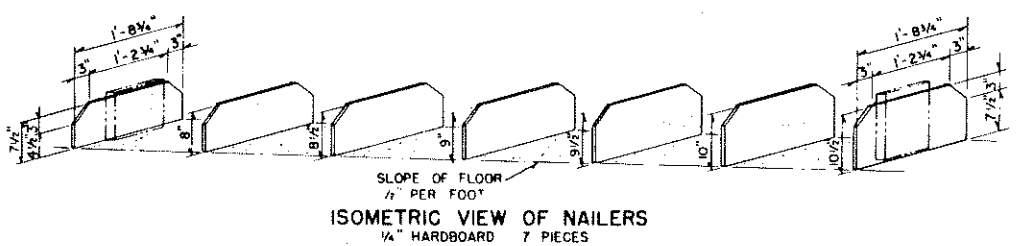
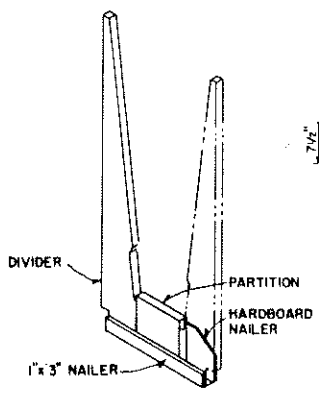
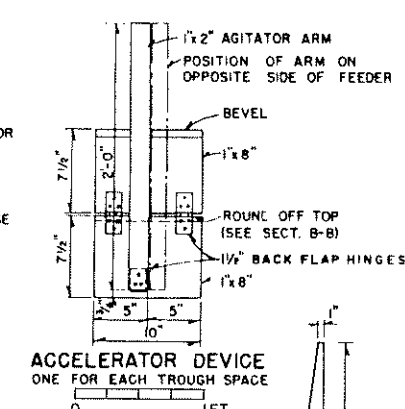
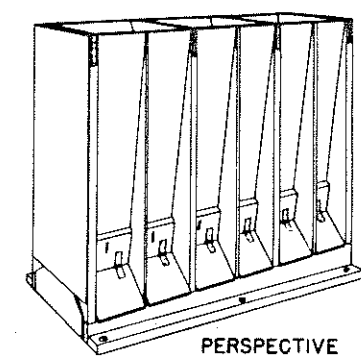
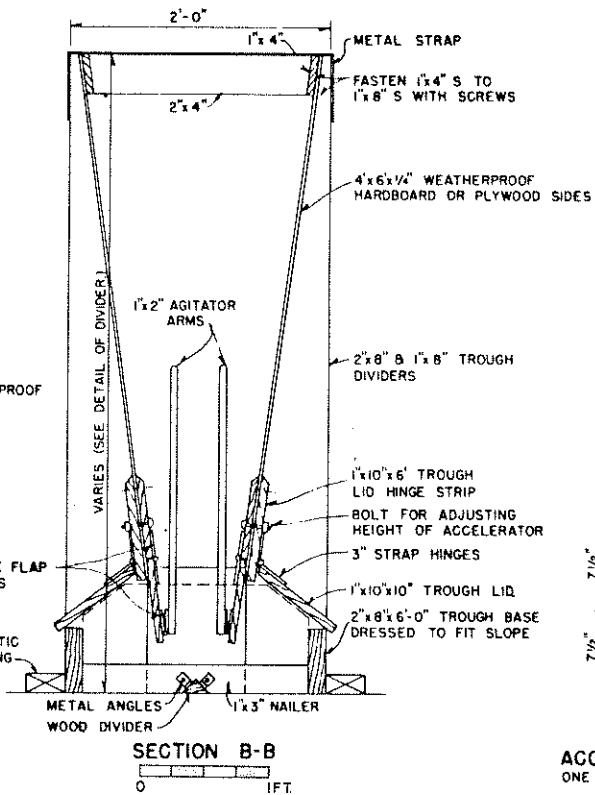
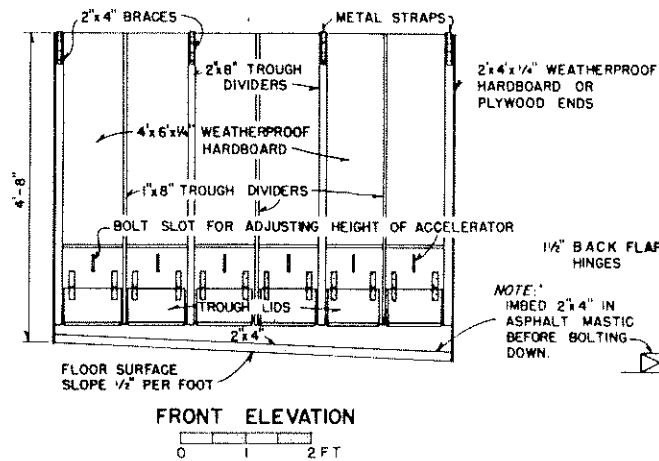
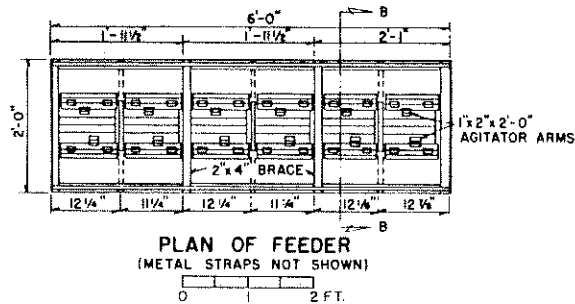
ALL METAL FASTENERS TO BE GALVANIZED

BASED ON: MISS. STATE UNIV. PLAN 5986B AND NORTH CAROLINA STATE UNIV. PLAN

COOPERATIVE EXTENSION WORK IN AGRICULTURE AND HOME ECONOMICS DEPARTMENT OF AGRICULTURAL ENGINEERING UNIVERSITY OF MARYLAND AND UNITED STATES DEPARTMENT OF AGRICULTURE COOPERATING

PART SLAT FEEDING FLOOR 200 PIGS

MISS. '73 EX. 6169 SHEET 1 OF 2



NOTE: NUMBER OF PIECES AS NOTED ARE REQUIRED FOR EACH FEEDER.