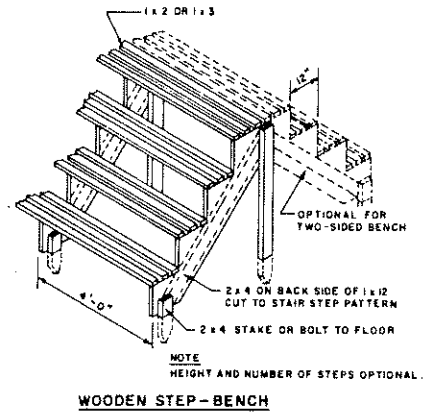
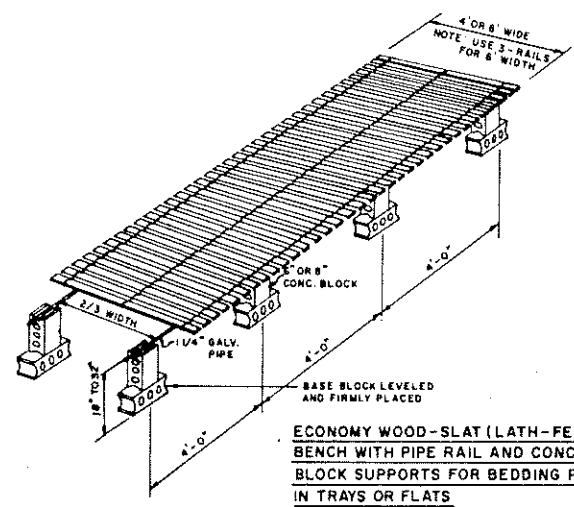
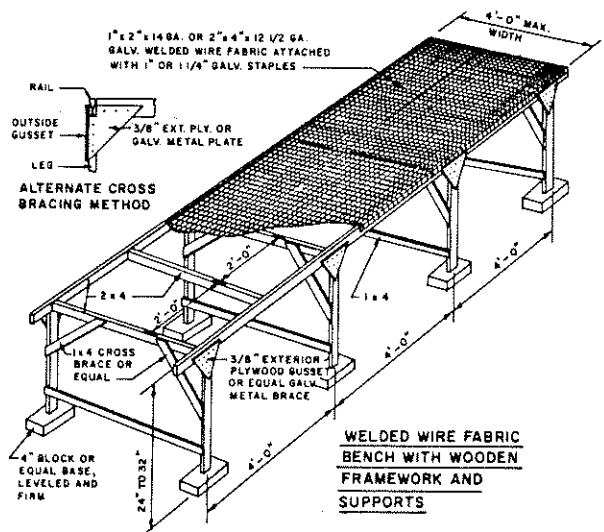


MENTION OF A TRADE NAME DOES NOT CONSTITUTE A GUARANTEE OR WARRANTY OF THE PRODUCT BY THE U.S. DEPARTMENT OF AGRICULTURE OR AN ENDORSEMENT BY THE DEPARTMENT OVER OTHER PRODUCTS NOT MENTIONED.

NOTE: FOR ALL LUMBER, USE DECAY RESISTANT SPECIES LIKE REDWOOD, OR PINE AND FIR, PRESSURE TREATED WITH A WATER-BORNE SALT-TYPE PRESERVATIVE, FOR LONG LIFE. METAL ANGLES HOLDING SIDEBOARDS MAY BE ON OUTSIDE SURFACE, IF PREFERRED.



COOPERATIVE EXTENSION WORK IN AGRICULTURE AND HOME ECONOMICS
 DEPARTMENT OF AGRICULTURAL ENGINEERING
 UNIVERSITY OF MARYLAND
 AND
 UNITED STATES DEPARTMENT OF AGRICULTURE COOPERATING

GREENHOUSE BENCHES

KY. '73 EX. 6 | 63 SHEET | OF |

BASED ON: UNIV. OF KENTUCKY PLAN NO. 11.771-10