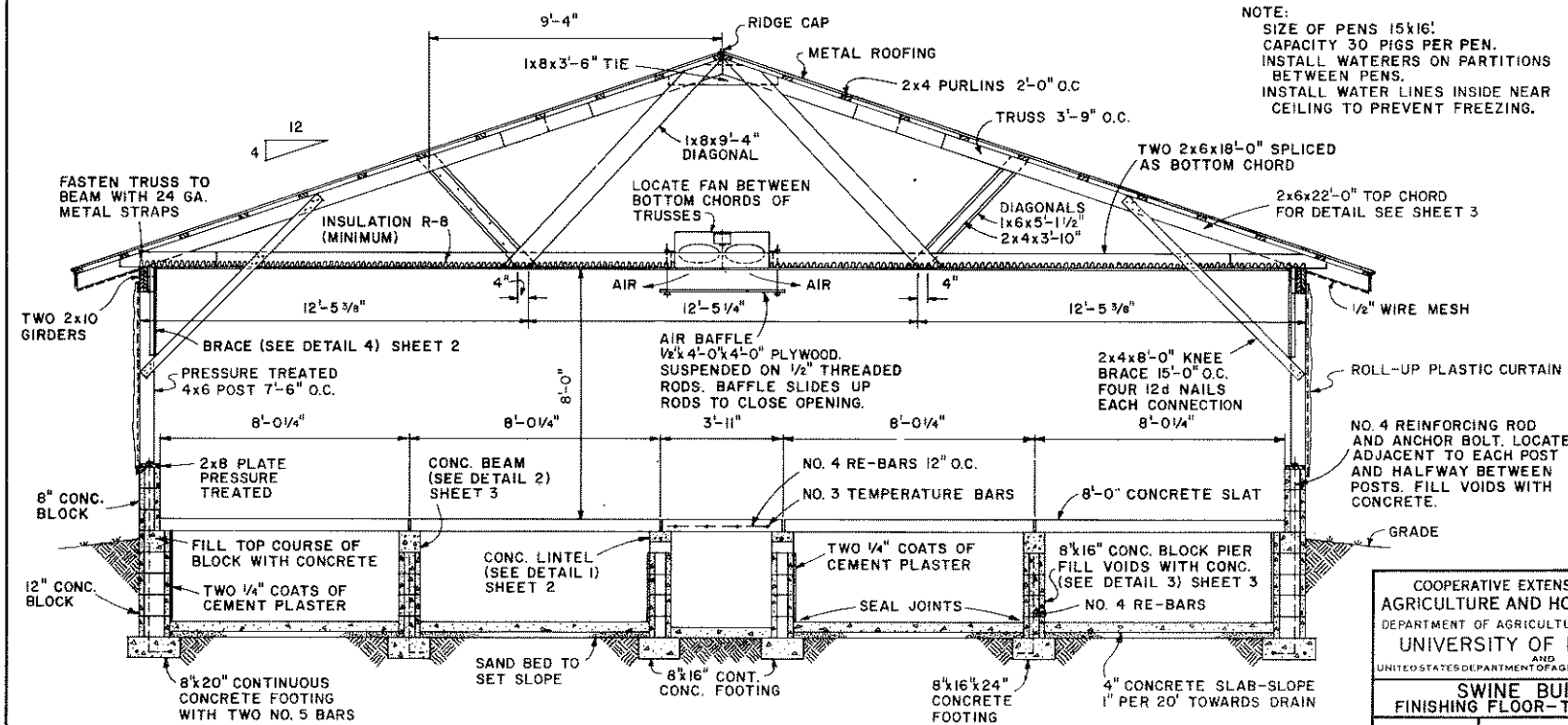


FOUNDATION AND FLOOR PLAN

SCALE: 0 4 8 12 FT.

NOTE:
 SIZE OF PENS 15x16'.
 CAPACITY 30 PIGS PER PEN.
 INSTALL WATERERS ON PARTITIONS
 BETWEEN PENS.
 INSTALL WATER LINES INSIDE NEAR
 CEILING TO PREVENT FREEZING.



SECTION A-A

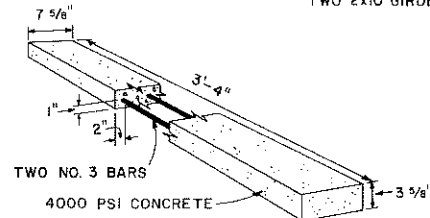
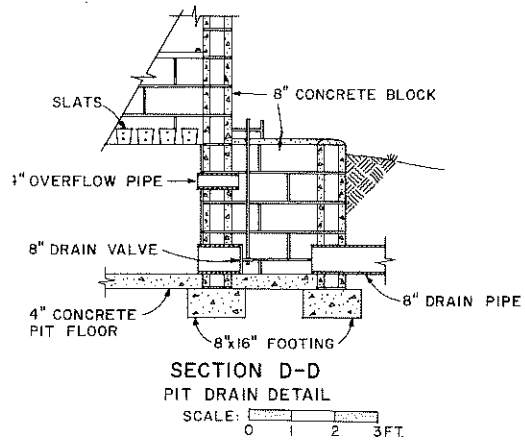
SCALE: 0 1 2 3 4 FT.

BASED ON: N.C. STATE UNIV. PLAN NO. 52B

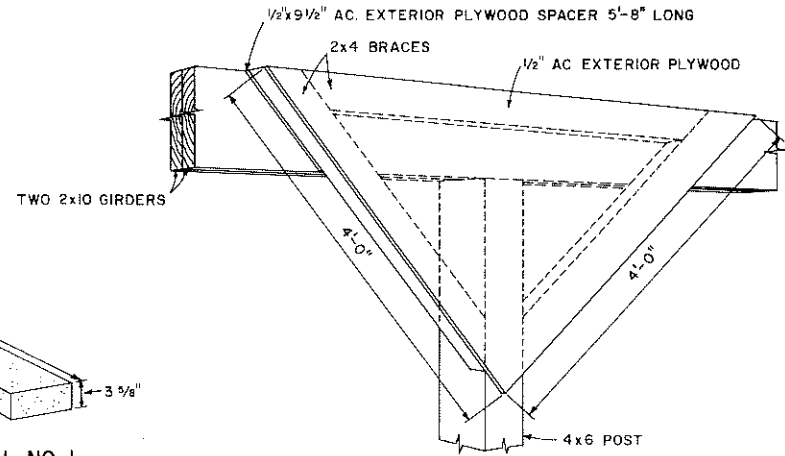
COOPERATIVE EXTENSION WORK IN
 AGRICULTURE AND HOME ECONOMICS
 DEPARTMENT OF AGRICULTURAL ENGINEERING
 UNIVERSITY OF MARYLAND
 AND
 UNITED STATES DEPARTMENT OF AGRICULTURE COOPERATING

SWINE BUILDING
FINISHING FLOOR - TOTAL SLATS

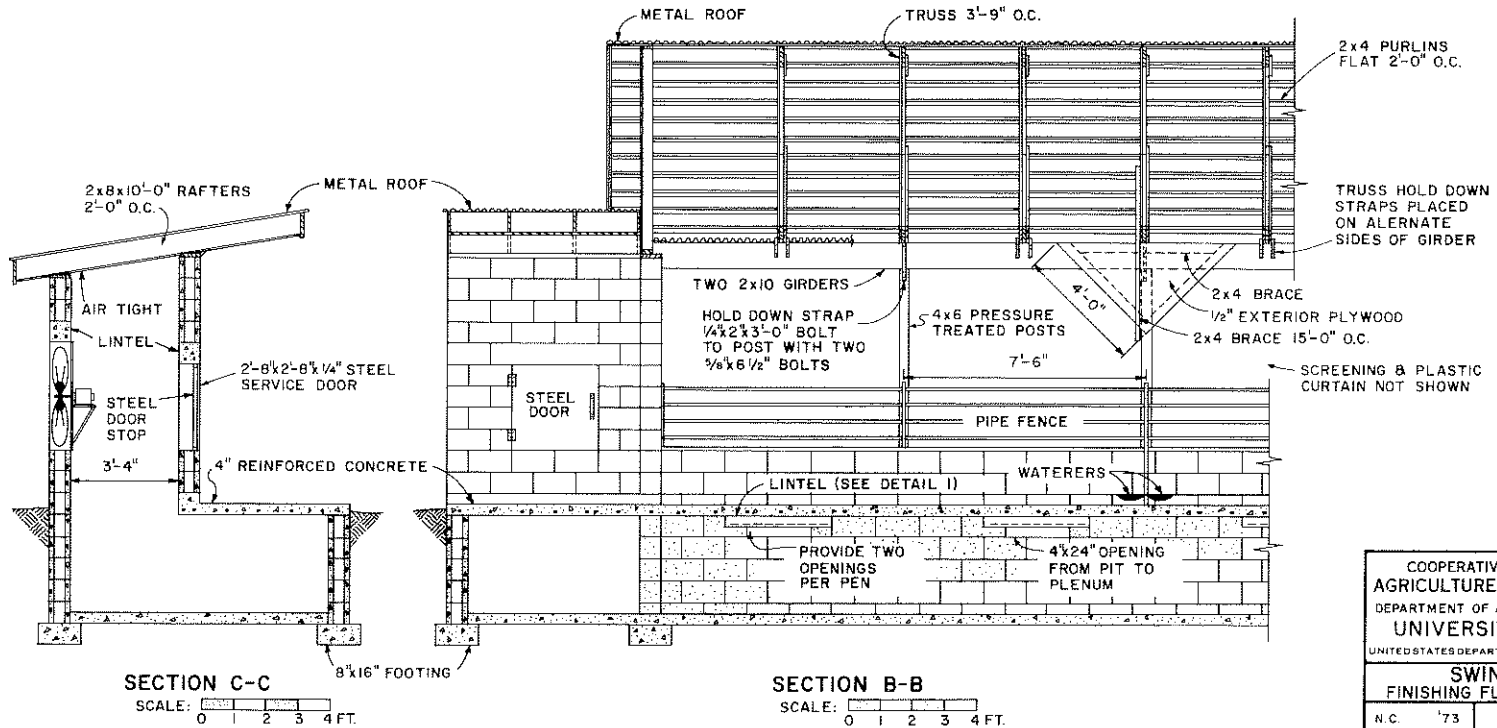
N.C.	'73	6159	SHEET 1 OF 3
------	-----	------	--------------



**CONCRETE LINTEL DETAIL NO. 1
PERSPECTIVE**



**POST BRACING DETAIL 4
PERSPECTIVE**

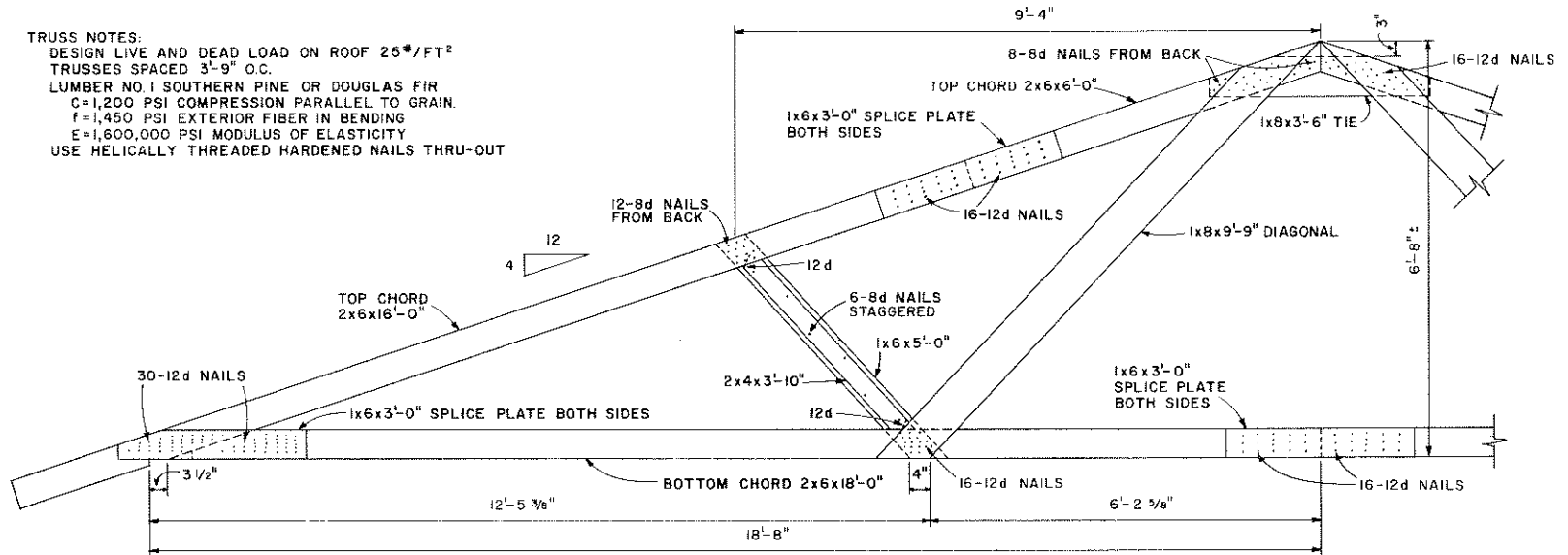


COOPERATIVE EXTENSION WORK IN
AGRICULTURE AND HOME ECONOMICS
DEPARTMENT OF AGRICULTURAL ENGINEERING
UNIVERSITY OF MARYLAND
AND
UNITED STATES DEPARTMENT OF AGRICULTURE COOPERATING

**SWINE BUILDING
FINISHING FLOOR - TOTAL SLATS**

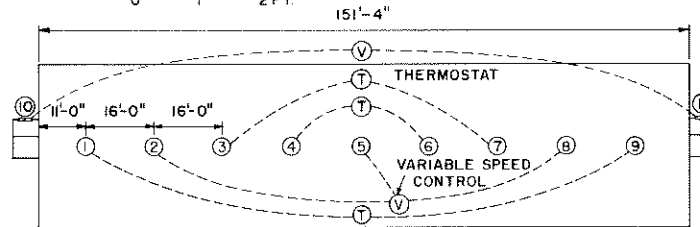
N.C. '73 6159 SHEET 2 OF 3

TRUSS NOTES:
 DESIGN LIVE AND DEAD LOAD ON ROOF 25#/FT²
 TRUSSES SPACED 3'-9" O.C.
 LUMBER NO. 1 SOUTHERN PINE OR DOUGLAS FIR
 C=1,200 PSI COMPRESSION PARALLEL TO GRAIN.
 F=1,450 PSI EXTERIOR FIBER IN BENDING
 E=1,600,000 PSI MODULUS OF ELASTICITY
 USE HELICALLY THREADED HARDENED NAILS THRU-OUT



TRUSS DETAIL

SCALE: 0 1 2 FT.

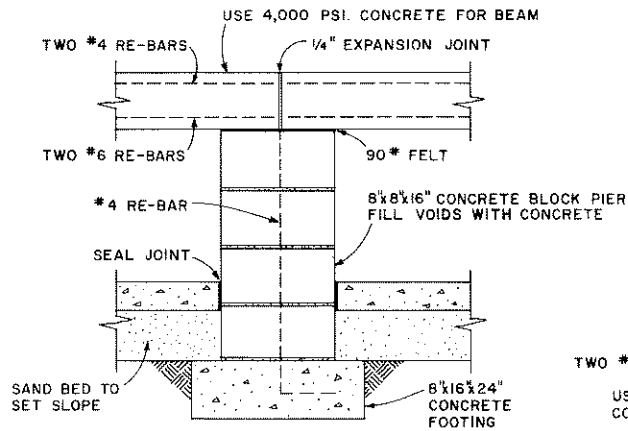


FANS 2,5,8-VARIABLE SPEED-4000 TO 5000 CFM AT 1/8" S.P.
 FANS 1,3,4,6,7,9-5000 CFM AT 1/8" S.P.
 FANS 10,11-VARIABLE SPEED-8500 CFM AT 1/8" S.P.

NOTE:

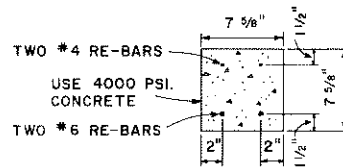
BALANCE THE UNDER SLAT VENTILATION BY RESTRICTING OPENINGS CLOSEST TO THE FANS. SET FOR 500 TO 600 FPM WITH FANS RUNNING AT FULL SPEED

FAN LAYOUT



PIER DETAIL-3

SCALE: 0 1 FT.



DETAIL-2

CONCRETE BEAM SECTION

SCALE: 0 1 FT.

COOPERATIVE EXTENSION WORK IN
 AGRICULTURE AND HOME ECONOMICS
 DEPARTMENT OF AGRICULTURAL ENGINEERING
 UNIVERSITY OF MARYLAND
 AND
 UNITED STATES DEPARTMENT OF AGRICULTURE COOPERATING

SWINE BUILDING
 FINISHING FLOOR-TOTAL SLATS

N.C.	73	6159	SHEET 3 OF 3
------	----	------	--------------