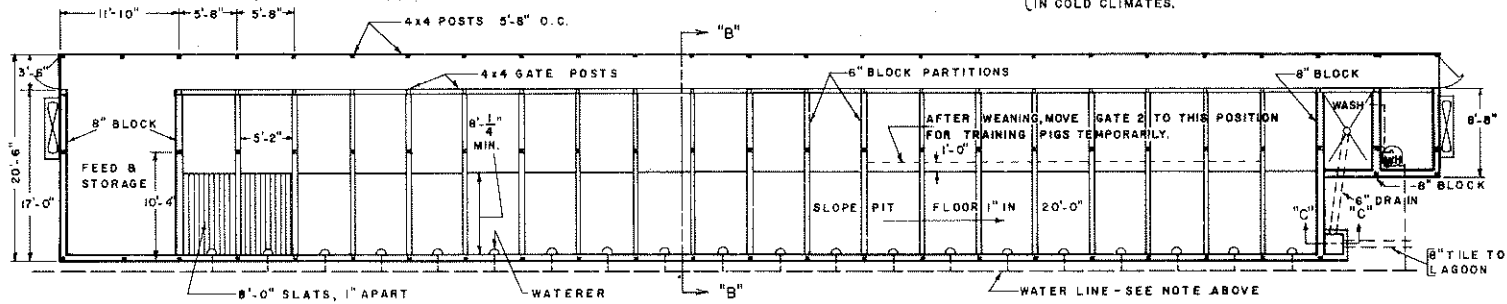


FLOOR PLAN - FOR FARROWING OR FEEDER PIG PRODUCTION ONLY

SCALE: 0 4 8 12 FT.

BURY WATER LINE AT LEAST 12". SLOPE TO DRAIN & PROVIDE CUT-OFF & DRAIN VALVE AT LOWER END. PROVIDE HOSE CONNECTIONS 50 FT. APART. BURY BELOW FROST LINE AND PROVIDE INSULATION IN COLD CLIMATES.



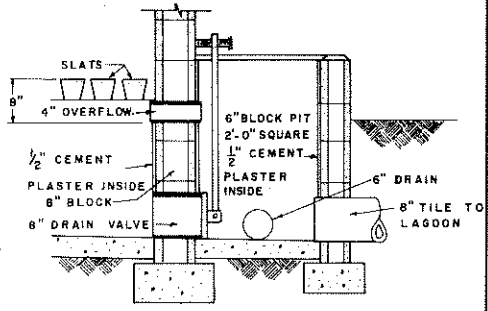
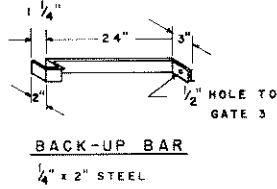
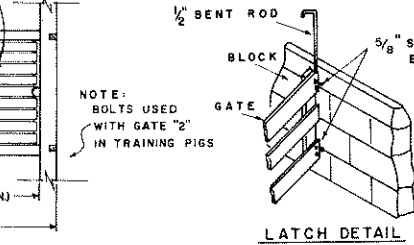
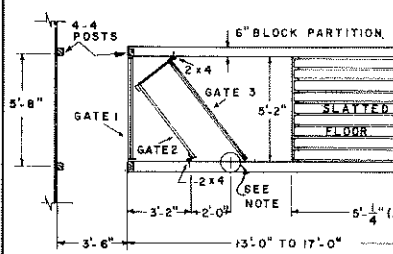
FLOOR PLAN - FOR FARROW TO FINISH

SCALE: 0 4 8 12 FT.

WATER LINE - SEE NOTE ABOVE

FLOOR PLAN - TYPICAL PEN

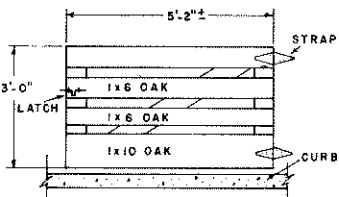
COVER SLATS OR PEN PIGS AWAY FROM SLATS FOR APPROXIMATELY ONE WEEK AFTER FARROWING



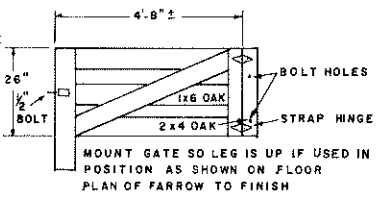
SECTION "C-C"

NOTE: SCALE: 0 2 FT. CONSULT LOCAL HEALTH AND BUILDING CODE AUTHORITIES BEFORE STARTING CONSTRUCTION

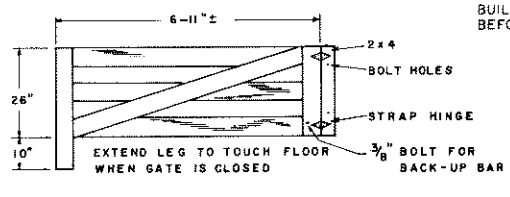
BASED ON USDA PLAN NO. 6073



GATE 1



GATE 2

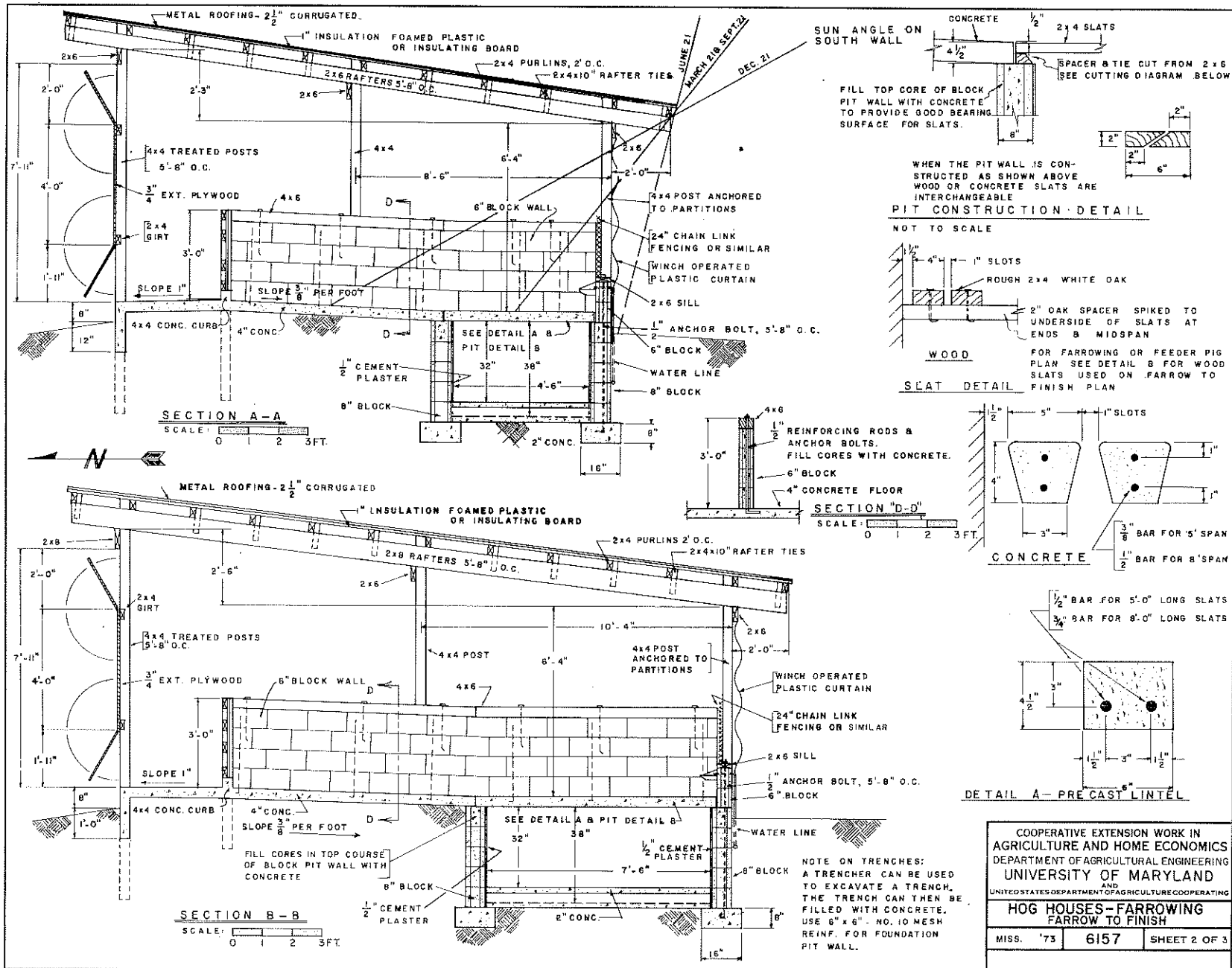


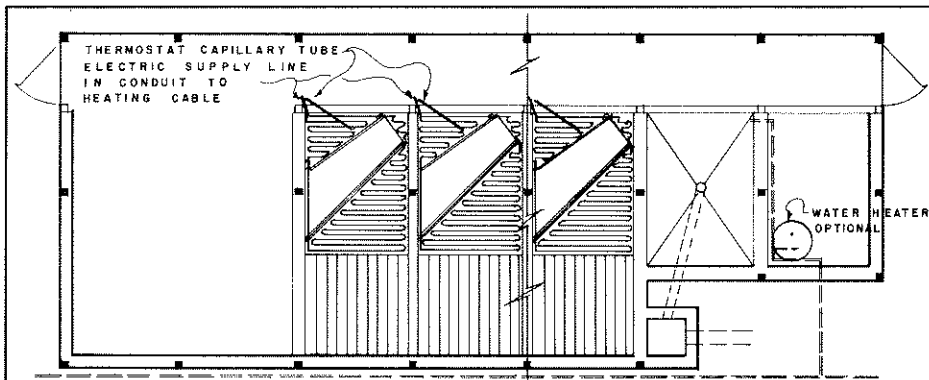
GATE 3

COOPERATIVE EXTENSION WORK IN AGRICULTURE AND HOME ECONOMICS DEPARTMENT OF AGRICULTURAL ENGINEERING UNIVERSITY OF MARYLAND AND UNITED STATES DEPARTMENT OF AGRICULTURE COOPERATING

HOG HOUSES-FARROWING FARROW TO FINISH

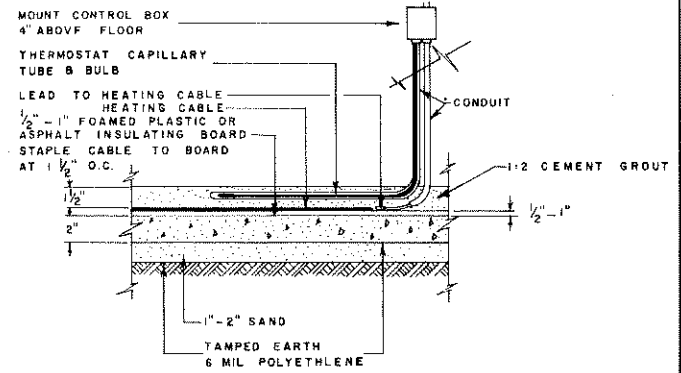
MISS. '73 6157 SHEET 1 OF 3





ELECTRIC HEATING CABLE SYSTEM

SCALE: 0 2 4 6 FT.

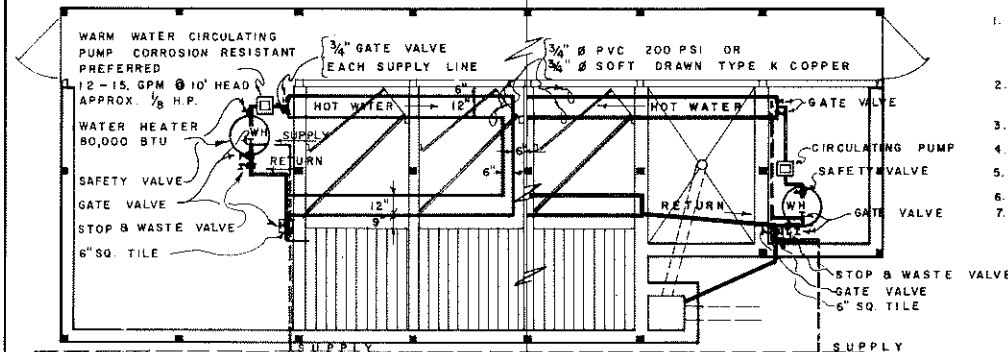


ELECTRIC HEATING CABLE SYSTEM *

NOT TO SCALE

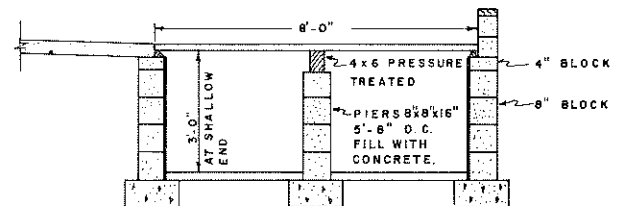
- NOTES:
- SEVERAL CRATE UNITS CAN BE CONTROLLED BY THE SAME THERMOSTAT; NOT TO EXCEED THE RATED HEATING LOAD; SWITCH CONTROL EACH DEN
 - HEAT LAMPS WILL BE NEEDED IN EXTREME COLD WEATHER IN ADDITION TO THE HEATING CABLE
 - CHECK CONTINUITY OF CABLE BEFORE PLACING GROUT
 - AVOID STRIKING HEATING CABLE.
 - SET THERMOSTAT AT DESIRED TEMPERATURE
 - THIS SYSTEM CAN BE USED IN A FINISHING BLDG.
 - A CUT OFF SWITCH SHOULD BE LOCATED AT EACH PEN

* ADAPTED FROM TVA LEAFLET



WARM WATER CIRCULATING SYSTEM

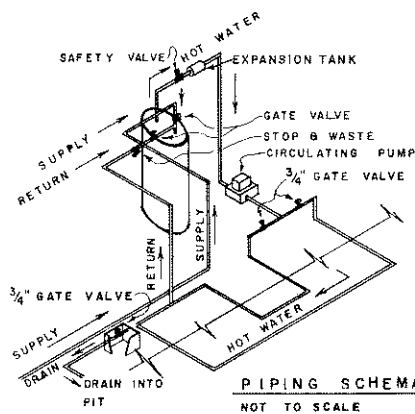
SCALE: 0 2 4 6 FT.



DETAIL B

SCALE: 0 1 2 3 FT.

PIT DETAIL USING WOOD SLATS



PIPING SCHEMATIC

NOT TO SCALE

- NOTES
- OUTLETS FOR HEAT LAMPS SHOULD BE INSTALLED REGARDLESS IF THIS SYSTEM OR THE ELECTRIC HEATING CABLE SYSTEM IS USED.
 - CHECK SYSTEM WITH 150 P.S.I. AIR 24 HRS. BEFORE PLACING GROUT.
 - REGULATE TEMPERATURE WITH WATER HEATER THERMOSTAT.

PIPING SYMBOLS

- SAFETY VALVE
- GATE VALVE
- STOP & WASTE VALVE
- COLD WATER SUPPLY
- HOT WATER
- WARM WATER CIRCULATING PUMP

COOPERATIVE EXTENSION WORK IN
 AGRICULTURE AND HOME ECONOMICS
 DEPARTMENT OF AGRICULTURAL ENGINEERING
 UNIVERSITY OF MARYLAND
 AND
 UNITED STATES DEPARTMENT OF AGRICULTURE COOPERATING

**HOG HOUSES-FARROWING
 FARROW TO FINISH**

MISS. '73 6157 SHEET 3 OF 3